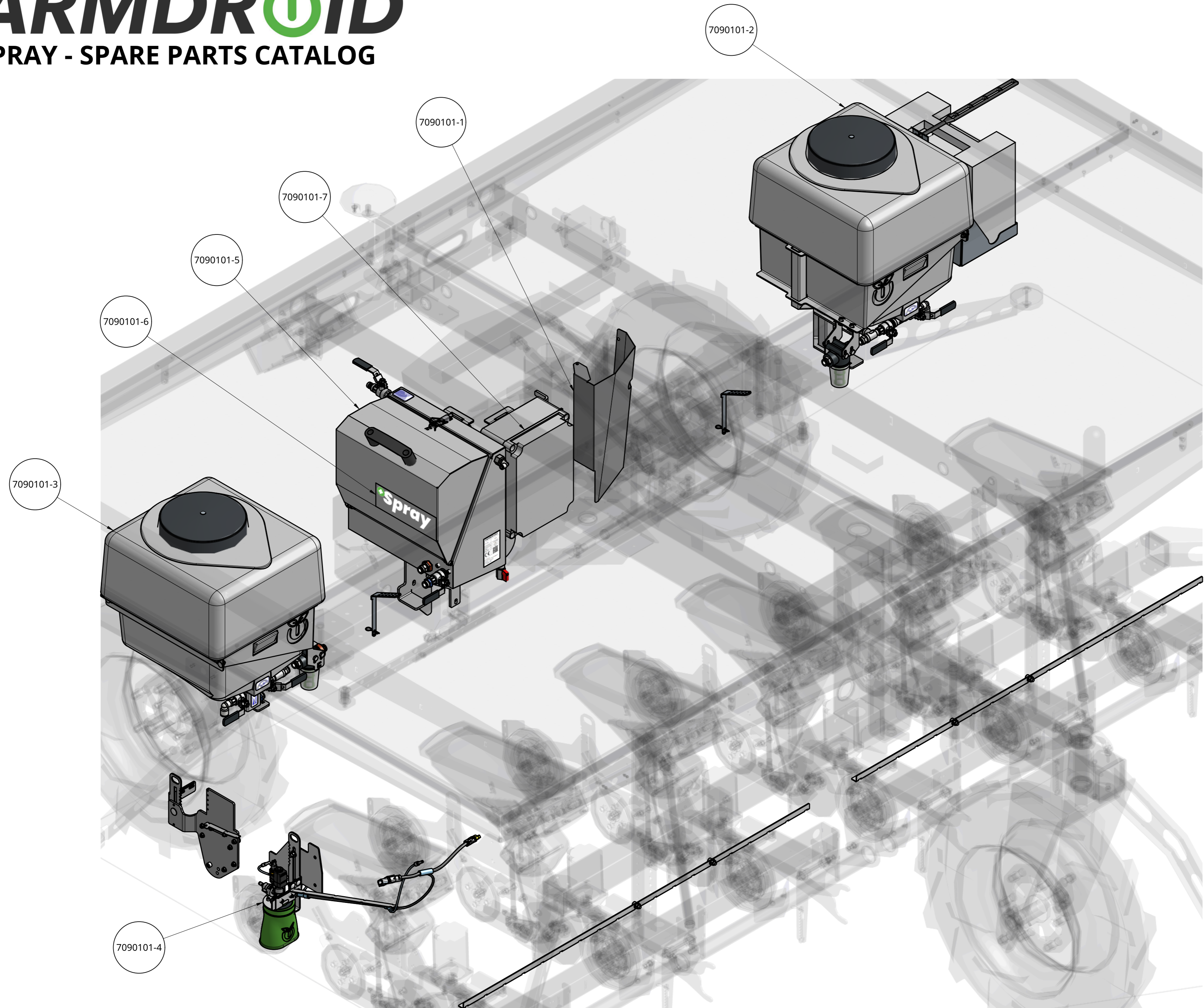


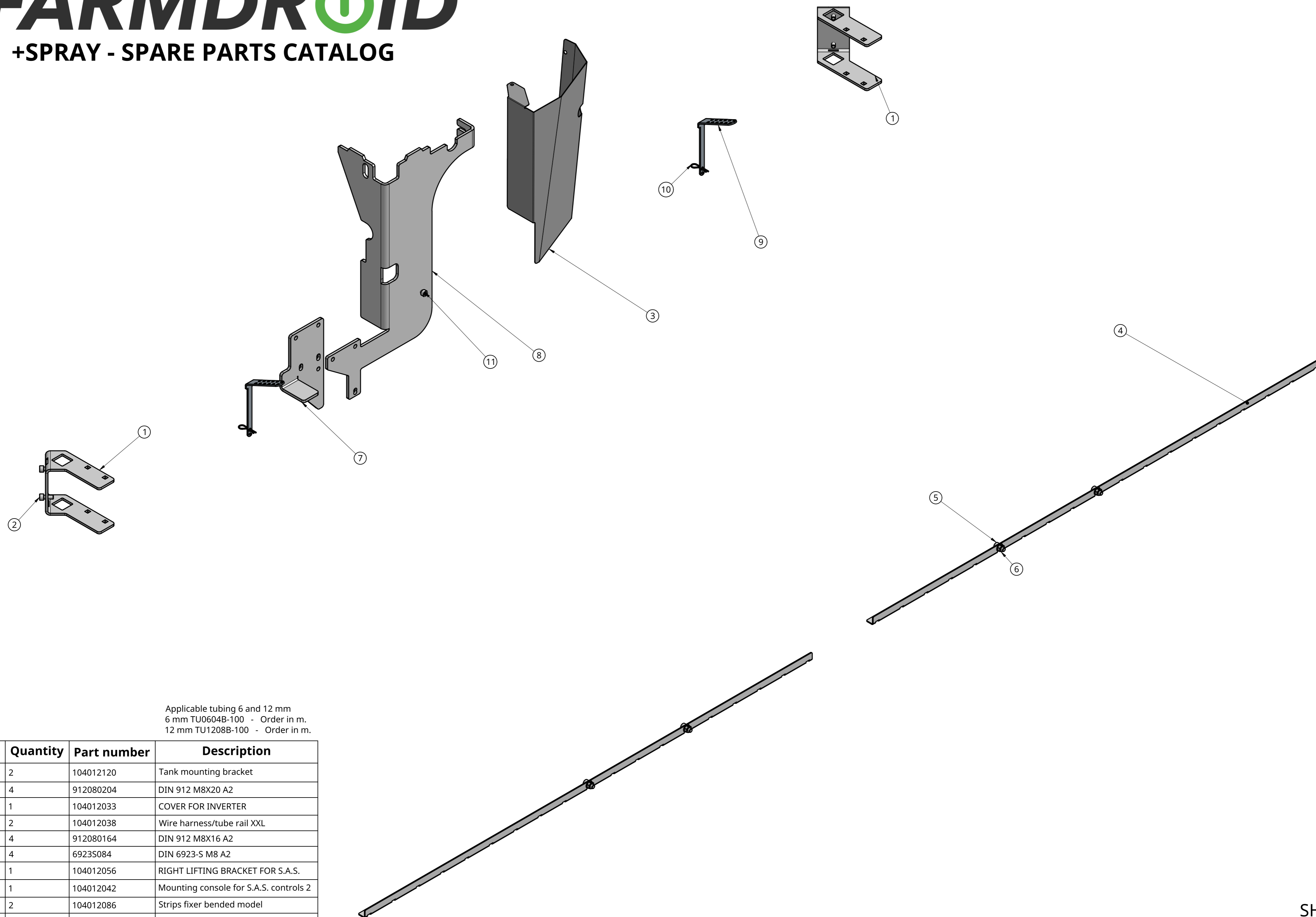
FARMDROID

+SPRAY - SPARE PARTS CATALOG



FARMDROID

+SPRAY - SPARE PARTS CATALOG



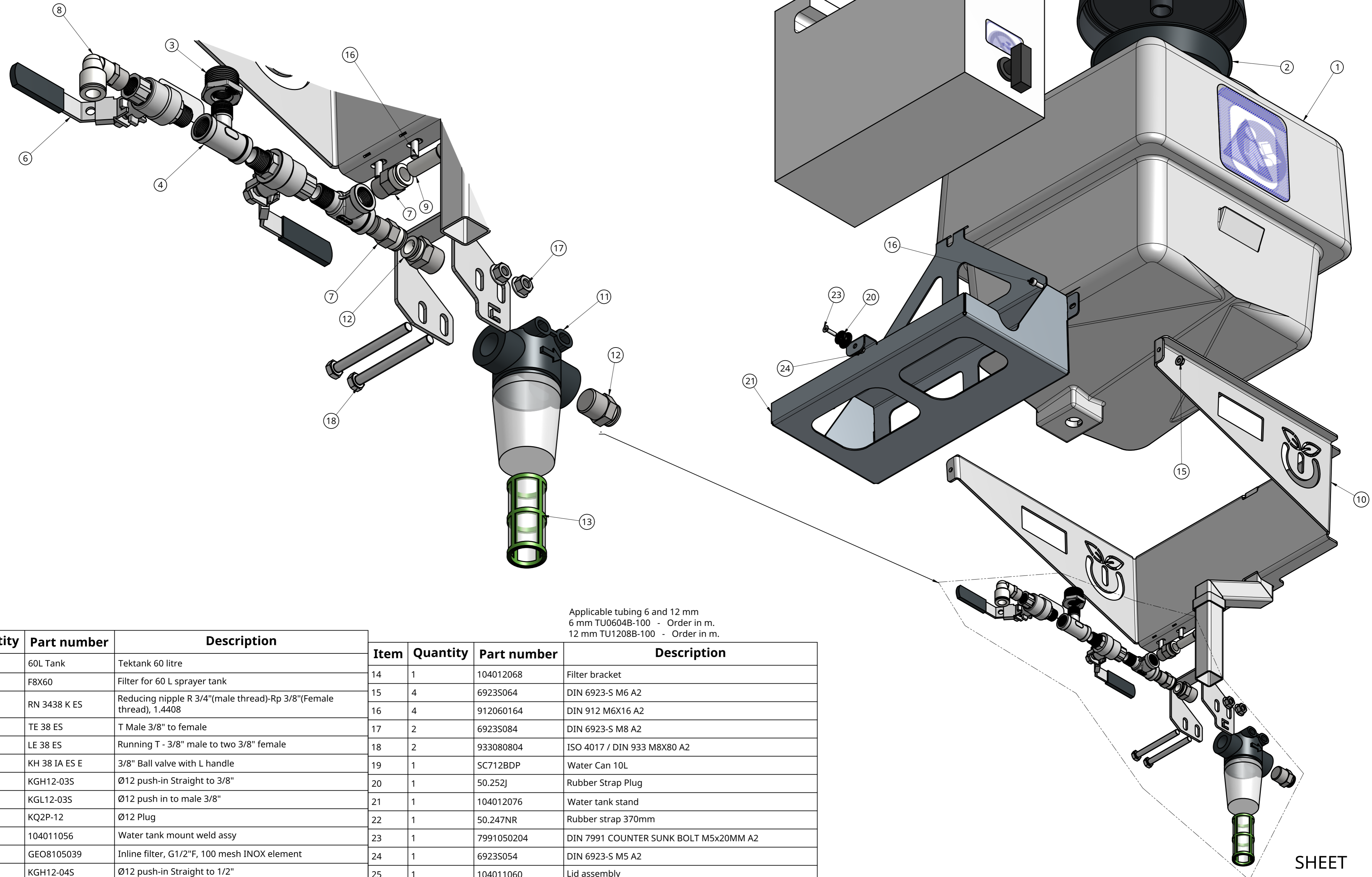
Applicable tubing 6 and 12 mm
 6 mm TU0604B-100 - Order in m.
 12 mm TU1208B-100 - Order in m.

Item	Quantity	Part number	Description
1	2	104012120	Tank mounting bracket
2	4	912080204	DIN 912 M8X20 A2
3	1	104012033	COVER FOR INVERTER
4	2	104012038	Wire harness/tube rail XXL
5	4	912080164	DIN 912 M8X16 A2
6	4	6923S084	DIN 6923-S M8 A2
7	1	104012056	RIGHT LIFTING BRACKET FOR S.A.S.
8	1	104012042	Mounting console for S.A.S. controls 2
9	2	104012086	Strips fixer bended model
10	2	969204	HITCH PIN 2 MM A2
11	1	912080104	DIN 912 M8X10 A2

FARMDROID

+SPRAY - SPARE PARTS CATALOG

7090101-2 Clean water tank



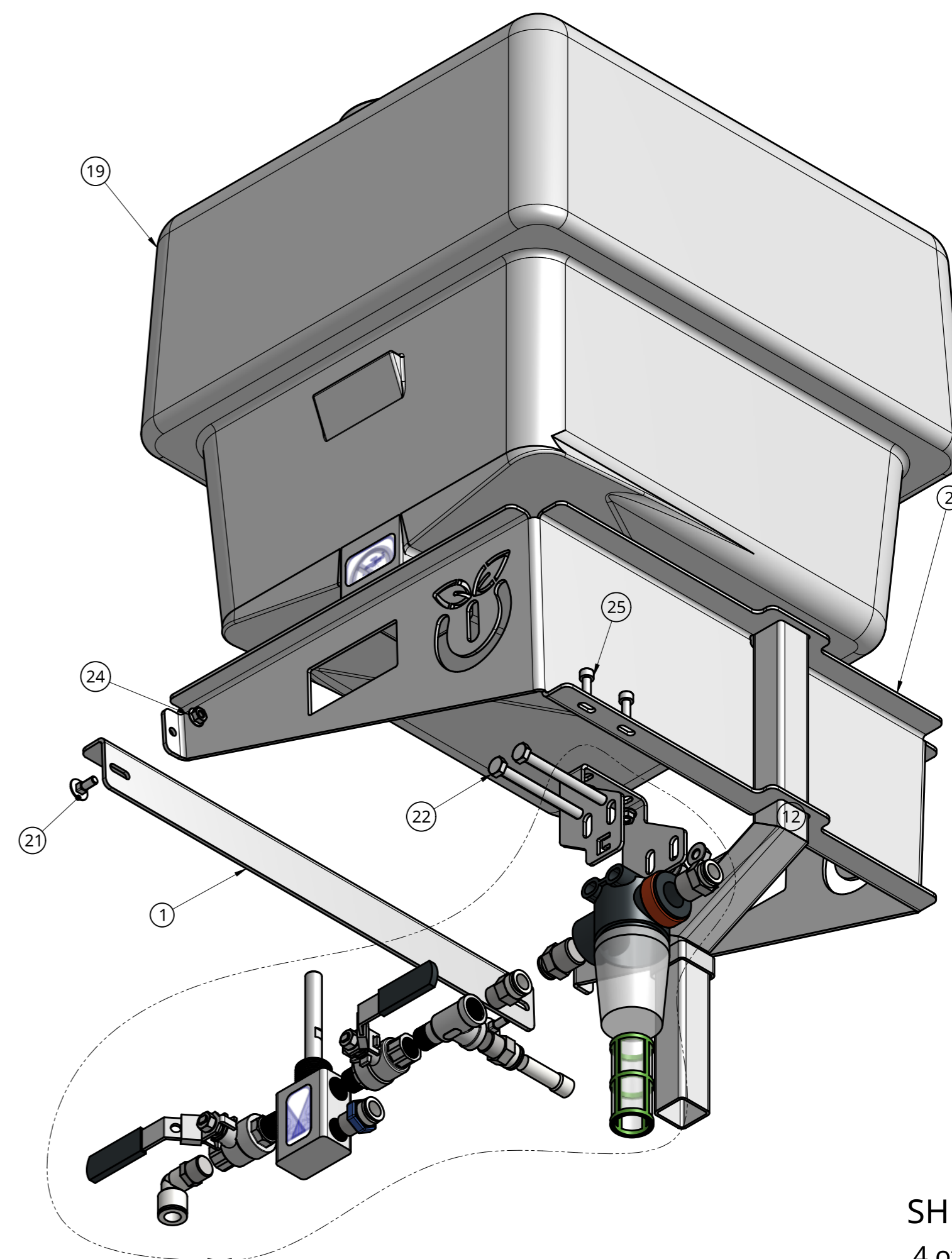
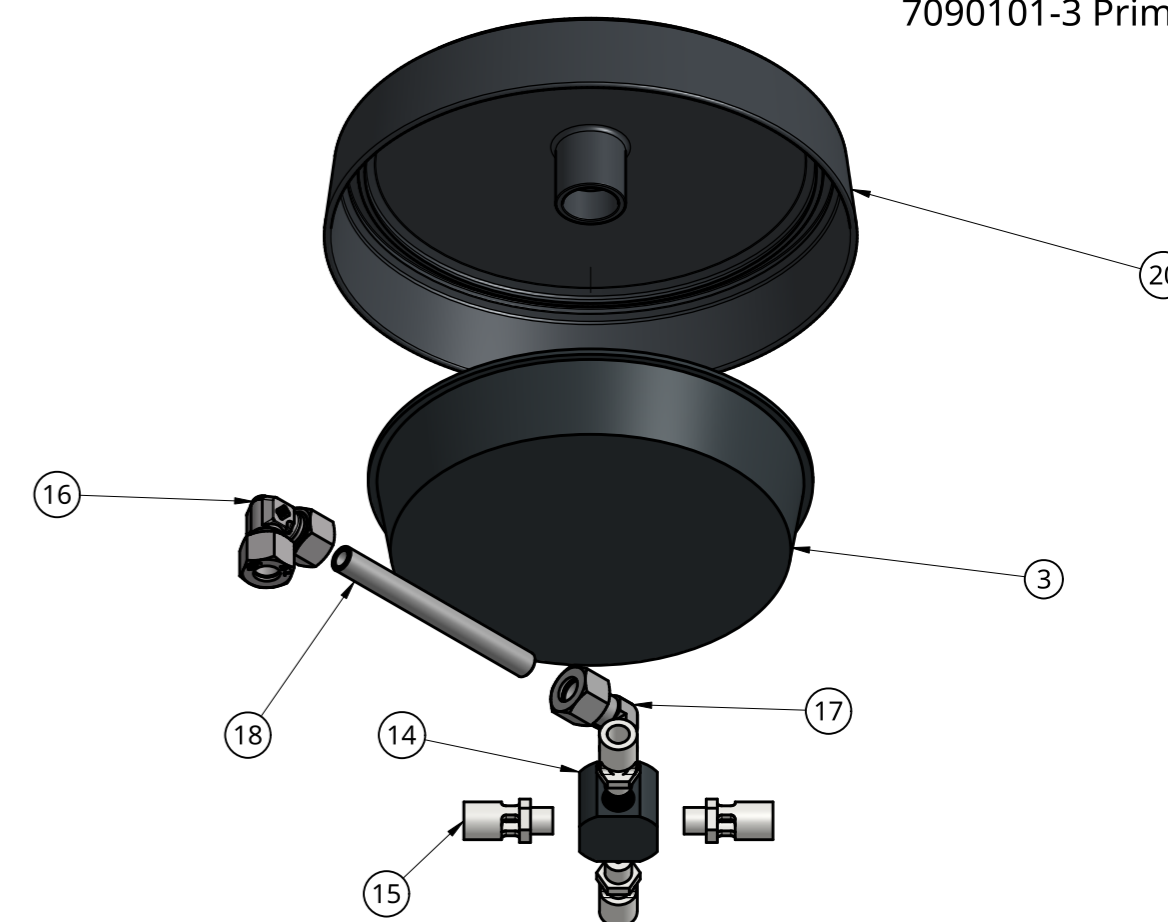
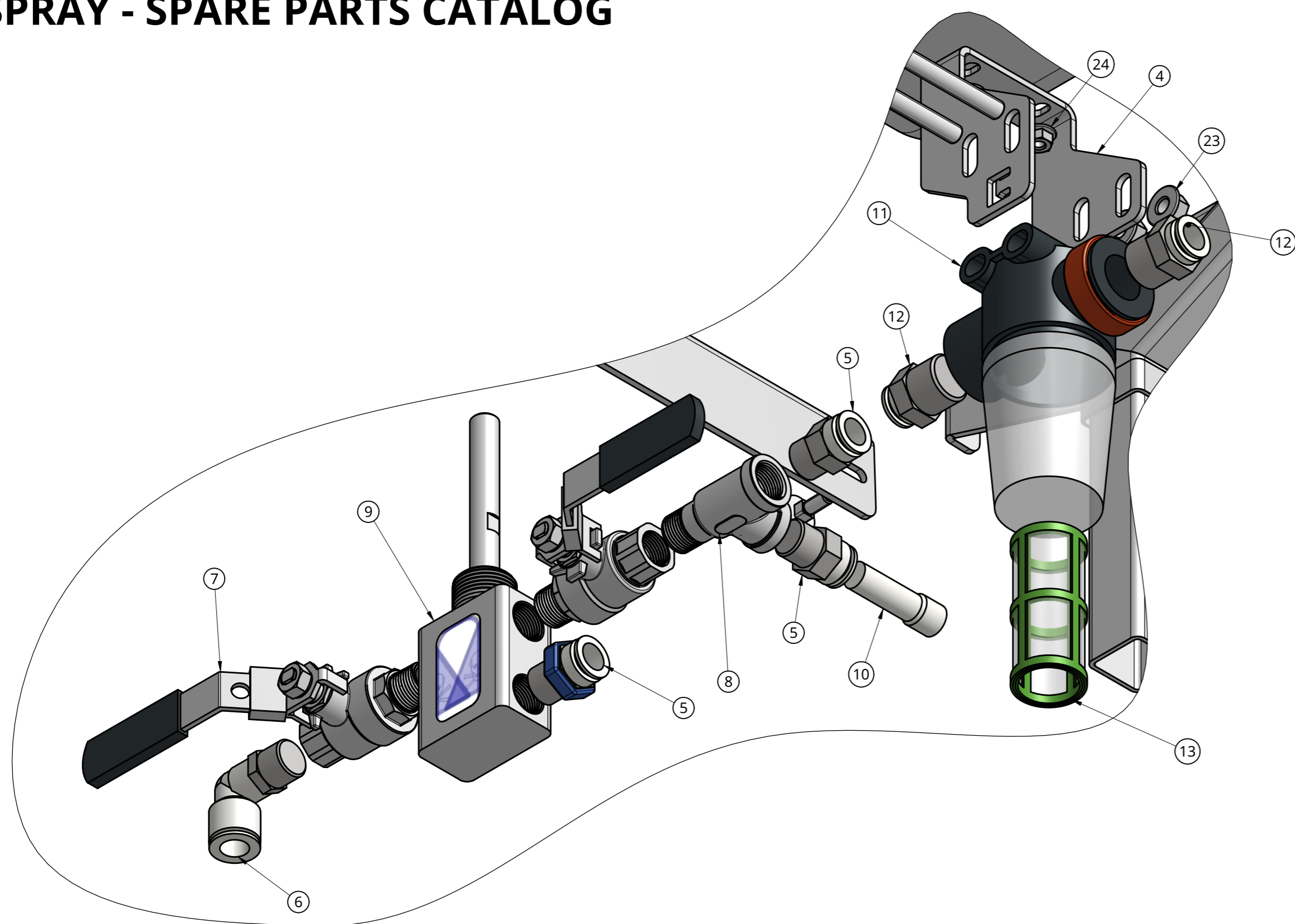
Applicable tubing 6 and 12 mm
 6 mm TU0604B-100 - Order in m.
 12 mm TU1208B-100 - Order in m.

Item	Quantity	Part number	Description	Item	Quantity	Part number	Description
1	1	60L Tank	Tektank 60 litre	14	1	104012068	Filter bracket
2	1	F8X60	Filter for 60 L sprayer tank	15	4	6923S064	DIN 6923-S M6 A2
3	1	RN 3438 K ES	Reducing nipple R 3/4"(male thread)-Rp 3/8"(Female thread), 1.4408	16	4	912060164	DIN 912 M6X16 A2
4	1	TE 38 ES	T Male 3/8" to female	17	2	6923S084	DIN 6923-S M8 A2
5	1	LE 38 ES	Running T - 3/8" male to two 3/8" female	18	2	933080804	ISO 4017 / DIN 933 M8X80 A2
6	2	KH 38 IA ES E	3/8" Ball valve with L handle	19	1	SC712BDP	Water Can 10L
7	2	KGH12-03S	Ø12 push-in Straight to 3/8"	20	1	50.252J	Rubber Strap Plug
8	1	KGL12-03S	Ø12 push in to male 3/8"	21	1	104012076	Water tank stand
9	1	KQ2P-12	Ø12 Plug	22	1	50.247NR	Rubber strap 370mm
10	1	104011056	Water tank mount weld assy	23	1	7991050204	DIN 7991 COUNTER SUNK BOLT M5x20MM A2
11	1	GEO8105039	Inline filter, G1/2"F, 100 mesh INOX element	24	1	6923S054	DIN 6923-S M5 A2
12	2	KGH12-04S	Ø12 push-in Straight to 1/2"	25	1	104011060	Lid assembly
13	1	GEOC00100060	GEO 100 mesh filter	26	0.2	TU1208B-100	TUBING POLYURETHANE 12 MM OD / 8MM ID, 100M ROLL

FARMDROID

+SPRAY - SPARE PARTS CATALOG

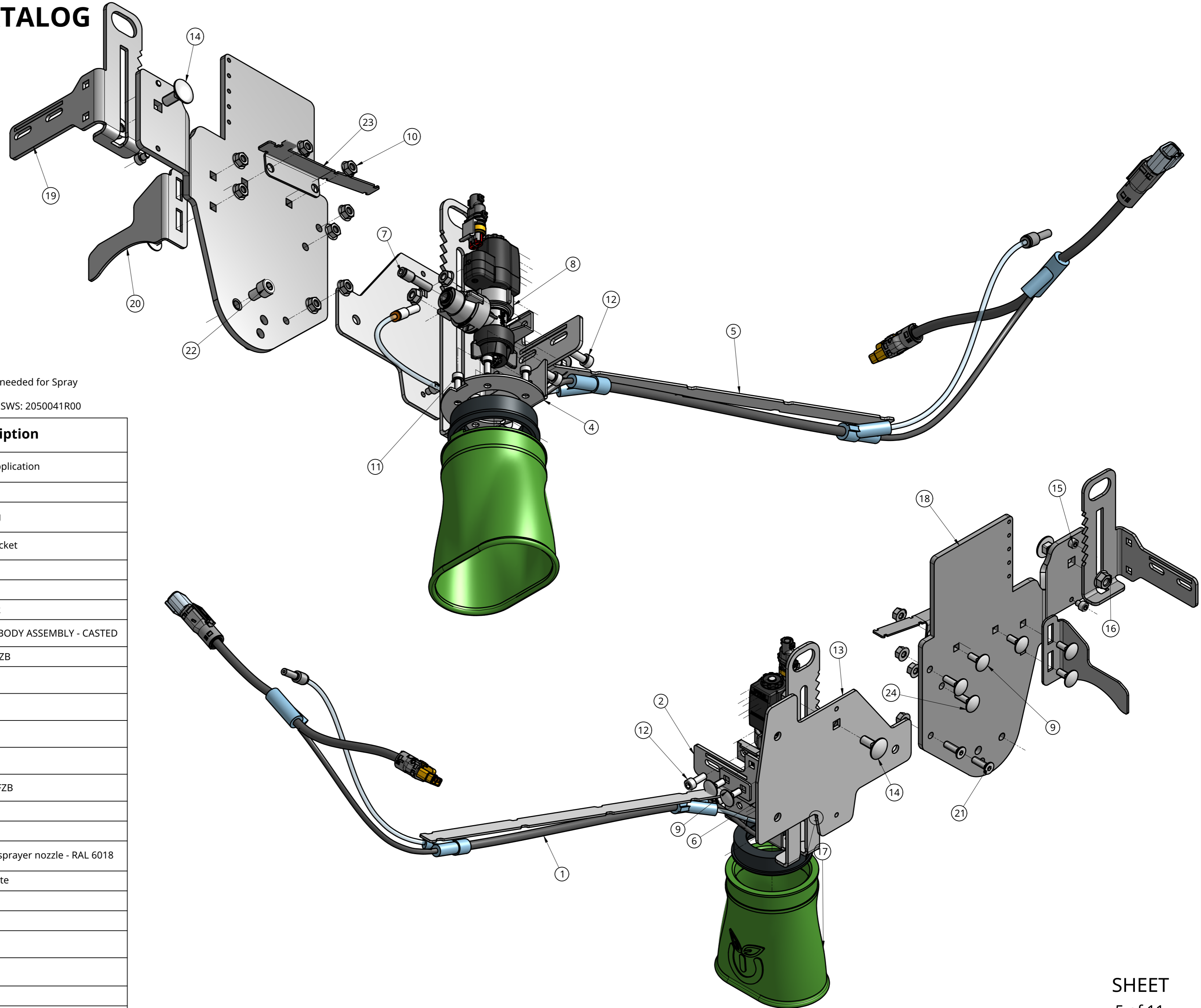
7090101-3 Primary tank



Item	Quantity	Part number	Description
1	1	104012039	Fixing plate for tank mount
2	1	104011057	Apl tank mount weld assy
3	1	F8X60	Filter for 60 L sprayer tank
4	1	104012068	Filter bracket
5	3	KGH12-03S	Ø12 push-in Straight to 3/8"
6	1	KGL12-03S	Ø12 push in to male 3/8"
7	2	KH 38 IA ES E	3/8" Ball valve with L handle
8	1	LE 38 ES	Running T - 3/8" male to two 3/8" female
9	1	104011014	Pre-mix manifold assembly
10	1	KQ2P-12	Ø12 Plug
11	1	GEO8105039	Inline filter, G1/2"F, 100 mesh INOX element
12	2	KGH12-04S	Ø12 push-in Straight to 1/2"
13	1	GEOC00100060	GEO filter 100 mesh
14	1	104012074	Eduction manifold for product tank recirculation
15	4	46550-1/4ME-3.0-P P	Mini eductor nozzle 1/4" male 3mm oriface
16	1	26421212	UNION ELBOW CONNECTOR 12MM 1.4571
17	1	26111206	MALE ELBOW CONNECTOR 12MM-3/8" 1.4571
18	1	104012122	STRAIGHT TUBE FOR CIRCULATION
19	1	60L Tank	Tektank 60 litre
20	1	104011060	Lid assembly
21	2	603060162	ISO8677 / DIN603 M6X16 FZB
22	2	933080804	ISO 4017 / DIN 933 M8X80 A2
23	2	6923S084	DIN 6923-S M8 A2
24	4	6923S064	DIN 6923-S M6 A2
25	2	912060164	DIN 912 M6X16 A2

FARMDROID

+SPRAY - SPARE PARTS CATALOG

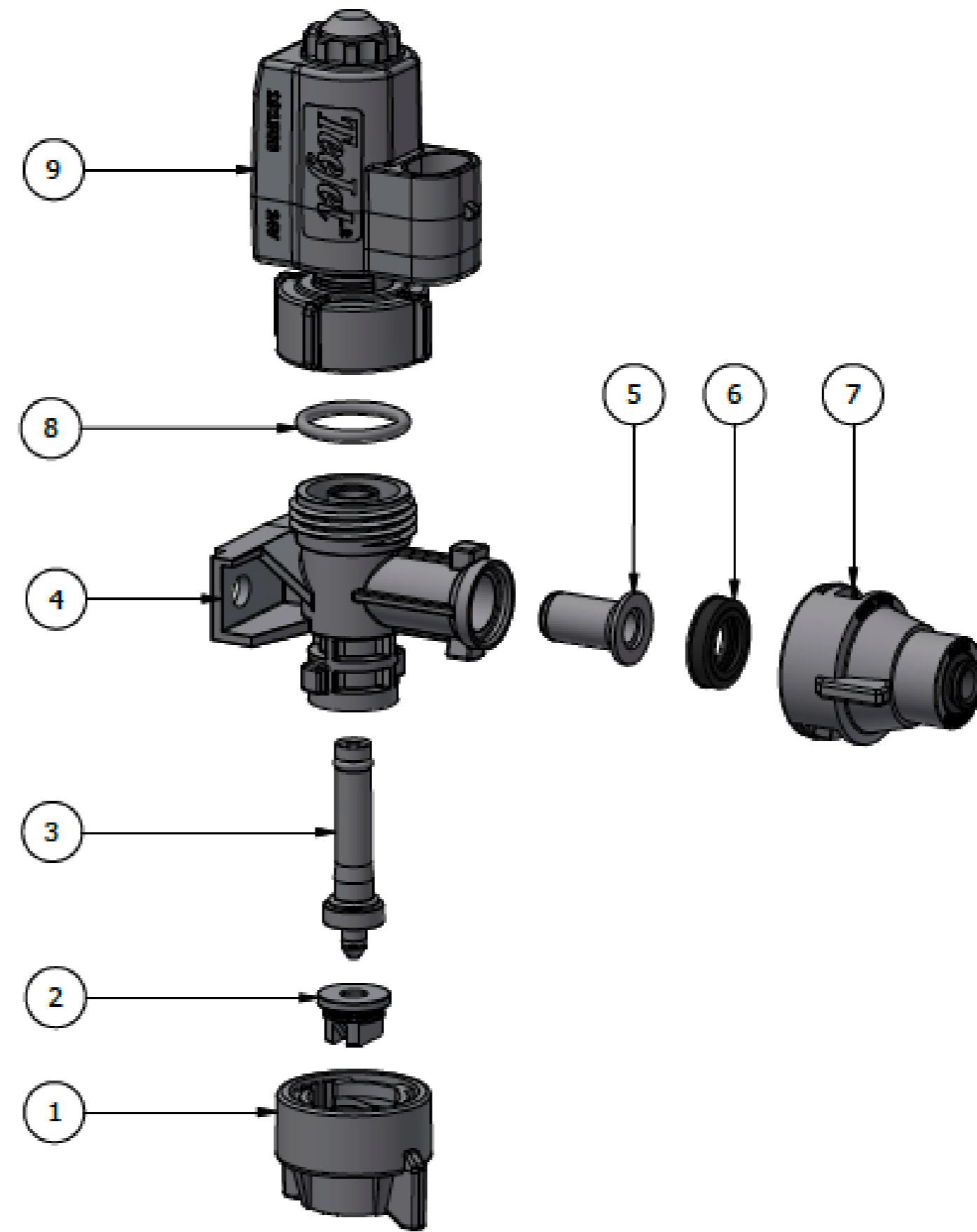


Additional harness is needed for Spray
While seeding.
Cable kit for + spray SWS: 2050041R00

Item	Quantity	Part number	Description
1	1	2050039-FD	Valve split cable for spot application
2	1	104012035	Nozzle mounting bracket 1
3	1	104012051	Wind screen mounting ring
4	1	104012052	Wind Screen mounting bracket
5	1	104012075	Nozzle wire/tube guide v2
6	1	136-6991	GROMMETS DA 06/09/3
7	1	KQ2R03-07A	PLUG-IN REDUCER 1/4-5/32
8	1	191220-CB	TARGETED SPRAY NOZZLE BODY ASSEMBLY - CASTED
9	6	603060162	ISO8677 / DIN603 M6X16 FZB
10	12	6923S064	DIN 6923-S M6 A2
11	4	912050124	DIN 912 M5X12 A2
12	2	912060164	DIN 912 M6X16 A2
13	1	104012036	Nozzle bracket for wagon
14	2	603080202	ISO 8677 / DIN603 M8X20 FZB
15	3	912050064	DIN 912 M5X6 A2
16	2	6923S084	DIN 6923-S M8 A2
17	1	109512343	Wind protection shield for sprayer nozzle - RAL 6018
18	1	104012094	+Spray WSK back wheel plate
19	1	104012095	+Spray WSK nozzle plate
20	1	104012096	+Spray WSK wheel scraper
21	2	7991060204ISO 10642 / DIN 7991 M6X20 A2	DIN 7691 M6x20 A2
22	1	912080124	DIN 912 M8X12 A2
23	1	104012097	+Spray WSK cable line
24	2	603060202	ISO8677 / DIN603 M6X20 FZB

FARMDROID


+SPRAY - SPARE PARTS CATALOG



ITEM	PART NO.	DESCRIPTION
1	CP114440A-1-CE	QUICK TEEJET [®] CAP, CELCON
2	TP**-SS	SPRAY TIP, STAINLESS STEEL
3	191195	LOW FLOW TIP INSERT ASSEMBLY (INCLUDES O-RINGS)
4	CP191221-CE	TARGETED NOZZLE BODY, CELCON
5	8079-PP-200	TIP STRAINER 200 MESH, POLYPROPYLENE
6	CP18999-EPR	SEAL, EPDM
7	QJ98588-1/4	1/4" PTC QUICK TEEJET CAP (INCLUDES ITEM 6)
8	CP7717-2-116-VI	O-RING, FKM
9	191500-2-24	24V DYNAJET [®] VALVE (INCLUDES ITEM 8)

** SPECIFY SPRAY ANGLE AND CAPACITY
 NOTE: PLEASE REFER TO PL191500 FOR REPLACEMENT PARTS FOR DYNAJET VALVE

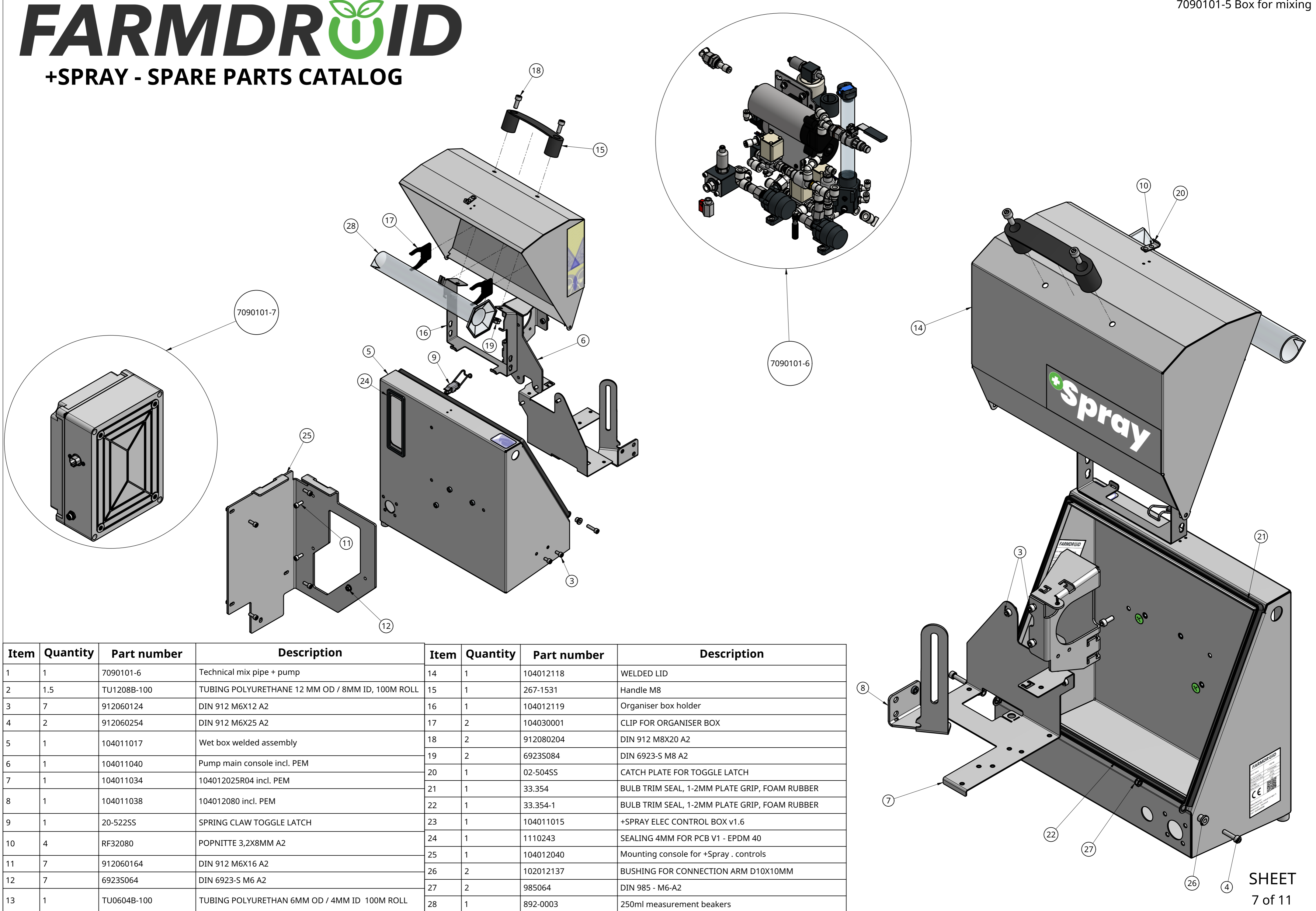
DESCRIPTION:
 191220-24 TARGETED SPRAY
 NOZZLE BODY



REVISION NO.	1	Parts List No.	PL191220-24
REFERENCE:	4/1/26	SHEET:	1 OF 1
		DWG SIZE:	A

FARMDRUID

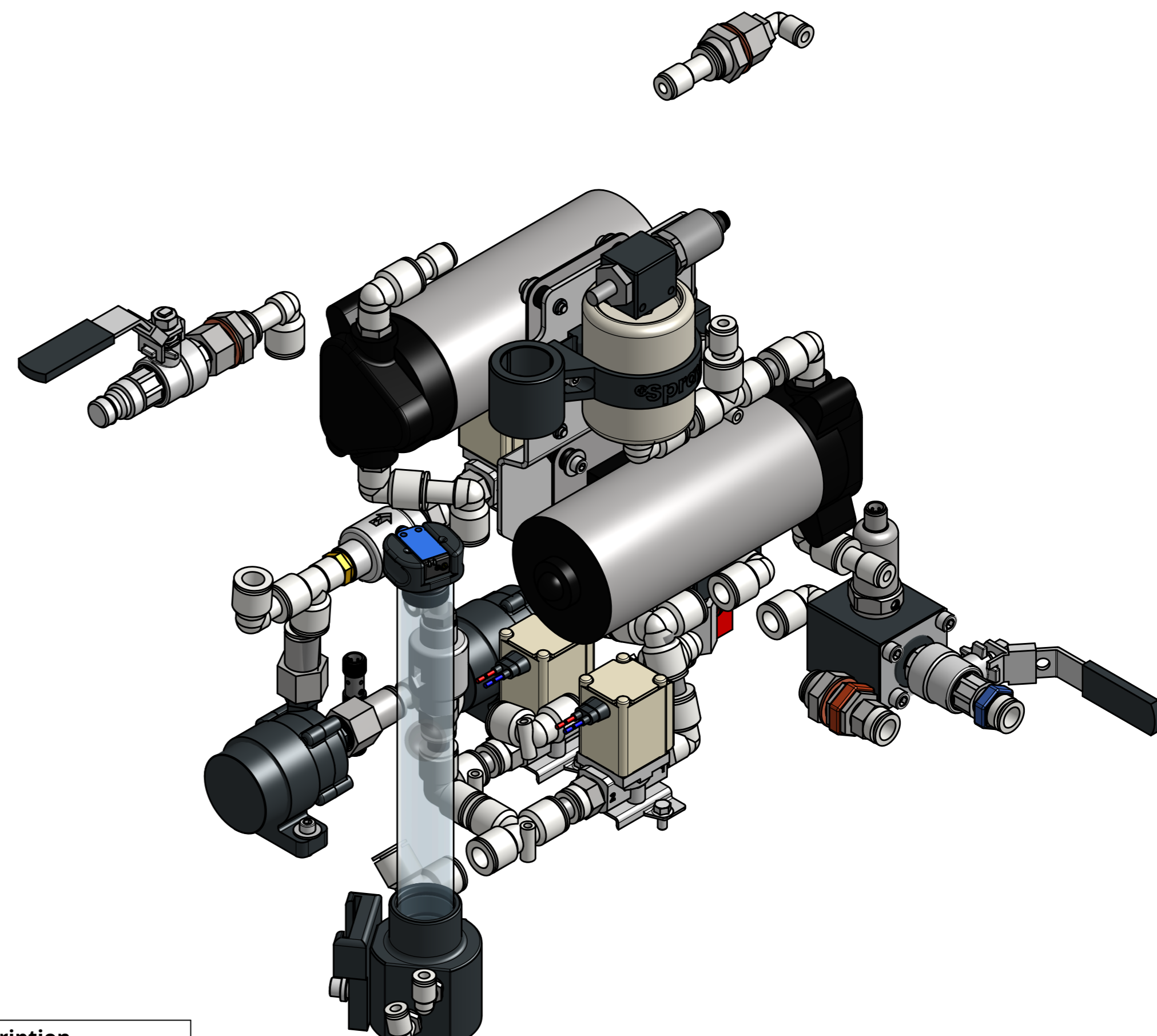
+SPRAY - SPARE PARTS CATALOG



Item	Quantity	Part number	Description	Item	Quantity	Part number	Description
1	1	7090101-6	Technical mix pipe + pump	14	1	104012118	WELDED LID
2	1.5	TU1208B-100	TUBING POLYURETHANE 12 MM OD / 8MM ID, 100M ROLL	15	1	267-1531	Handle M8
3	7	912060124	DIN 912 M6X12 A2	16	1	104012119	Organiser box holder
4	2	912060254	DIN 912 M6X25 A2	17	2	104030001	CLIP FOR ORGANISER BOX
5	1	104011017	Wet box welded assembly	18	2	912080204	DIN 912 M8X20 A2
6	1	104011040	Pump main console incl. PEM	19	2	6923S084	DIN 6923-S M8 A2
7	1	104011034	104012025R04 incl. PEM	20	1	02-504SS	CATCH PLATE FOR TOGGLE LATCH
8	1	104011038	104012080 incl. PEM	21	1	33.354	BULB TRIM SEAL, 1-2MM PLATE GRIP, FOAM RUBBER
9	1	20-522SS	SPRING CLAW TOGGLE LATCH	22	1	33.354-1	BULB TRIM SEAL, 1-2MM PLATE GRIP, FOAM RUBBER
10	4	RF32080	POPNITTE 3,2X8MM A2	23	1	104011015	+SPRAY ELEC CONTROL BOX v1.6
11	7	912060164	DIN 912 M6X16 A2	24	1	1110243	SEALING 4MM FOR PCB V1 - EPDM 40
12	7	6923S064	DIN 6923-S M6 A2	25	1	104012040	Mounting console for +Spray . controls
13	1	TU0604B-100	TUBING POLYURETHAN 6MM OD / 4MM ID 100M ROLL	26	2	102012137	BUSHING FOR CONNECTION ARM D10X10MM
				27	2	985064	DIN 985 - M6-A2
				28	1	892-0003	250ml measurement beakers

FARMDROID

+SPRAY - SPARE PARTS CATALOG



Applicable tubing 6 and 12 mm
 6 mm TU0604B-100 - Order in m.
 12 mm TU1208B-100 - Order in m.

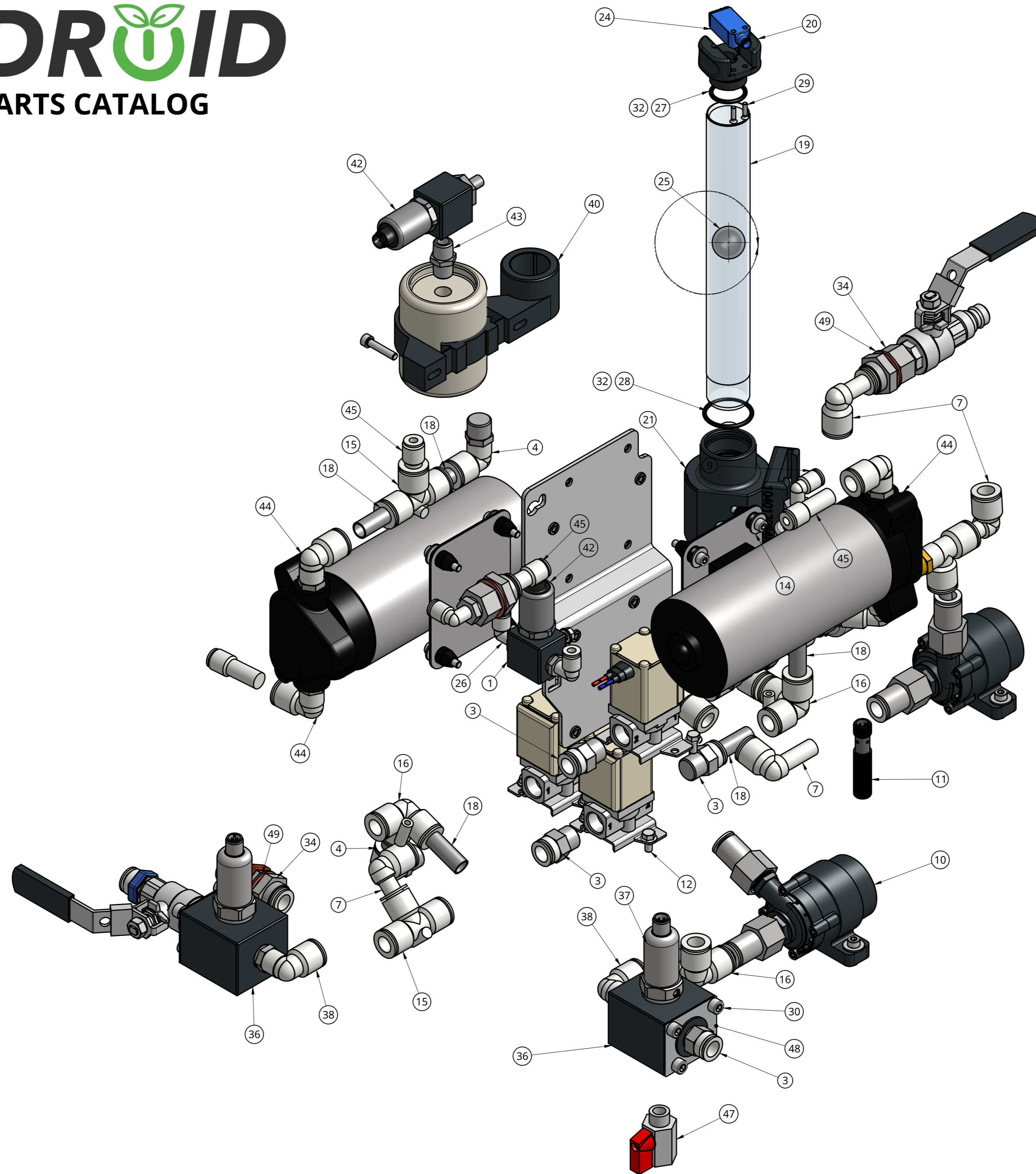
Item	Quantity	Part number	Description
1	2	104012077	Transmitter bloc
2	3	VX223LAAXB-1	Port 2 Solenoid Valve with connector
3	10	KGH12-03S	Ø12 push-in Straight to 3/8"
4	2	KGL12-03S	Ø12 push in to male 3/8"
5	2	RUCK 38 ES	Check valve, G 3/8", PN 16, 1.4301
6	1	KQ2Y12-03AS	Running T - 3/8" male to 12mm tube - brass
7	5	KGL12-99	L 12mm tube
8	0.07	TU1208B-100	TUBING POLYURETHANE 12 MM OD / 8MM ID, 100M ROLL
9	2	KGL06-03S	L Ø6 tube to 1/4" male
10	2	DC45E-2475PWM-1	BLDC DC45E 2475PWM Impeller Pump - 1250 L/h - 31,2W - 7,5M Head incl. connector
11	1	AC007	AC007 capacitive sensor
12	8	6921050104	DIN6921 M5X10 A2
13	4	912050164	DIN 912 M5X16 A2
14	12	9021054	DIN 9021 M5 A2
15	3	KGT12-00	Ø12 push-in T
16	3	KGD12-00	D 12 mm tube

Item	Quantity	Part number	Description
17	2	KGL12-00	Ø12 push-in angle
18	9	KQ2N12-99	PLUG-IN MALE ADAPTOR 12MM
19	1	104012029	Cylinder Øi 26 Øo 30
20	1	104012030	UC4 sensor mounting
21	1	104012031	Mix tank manifold
22	1	104012084	Mix tank slider
23	1	102012137	BUSHING FOR CONNECTION ARM D10X10MM
24	1	6054708	UC4-13346 - Ultrasonic sensor 20...250mm
25	1	104012121	FLOAT BALL SILICON D22.5MM
26	5	KGL06-02S	L 06mm tube to 1/4" male
27	1	196-5788	O-ring, FKM, ID: 21mm, Thickness: 2.5mm
28	2	196-5798	O-ring, FKM, ID: 30mm, Thickness: 2.5mm
29	2	965T0300124	ISO 14581 - DIN 965 COUNTERSUNK HEAD SCREW TX10 M3x12MM A2
30	9	912060124	DIN 912 M6X12 A2
31	1	912060254	DIN 912 M6X25 A2
32	1	174-182	MULTI-PURPOSE GREASE 100 ml
33	2	KH 38 IA ES E	3/8" Ball valve with L handle
34	3	KGE12-03	Panel mount straight - 12mm tube to female 3/8"

Item	Quantity	Part number	Description
35	1	910190	KOBLINGSNIPPEL NIPPEL 3/8" TO DN13
36	2	104012067	Tank level adapter
37	2	AP201	Autosen AP201 pressure sensor 0,4 bar
38	2	KGL12-03S	Ø12 push in to male 3/8"
39	1	104011037	104012079 incl. PEM
40	1	104012083	CLAMP FOR PULSATION DAMPENER
41	1	U000B01V1-PP	Pulsation dampener, 0,04 litres, 10 bar, vg8 valve, 3/8" BSP
42	2	AP024	Pressure sensor 0-10 bar
43	1	1819754	HEX NIPPLE R1/4" - R1/4" SS304
44	2	DP2-V-024-8005-2.5-100-BPOK-1	Pumps with connector for SAS
45	4	KGR06-12	Reduction 12mm to 06mm tube
46	10	912050254	DIN 912 M5X25 A2
47	1	KH 14 MKIA ES E	Ball valve 1/4"
48	2	104012082	Seal for 104012067
49	3	FI22291,5	Vulcanised fibre sealing ring (22,2x28,9x1,5 mm)

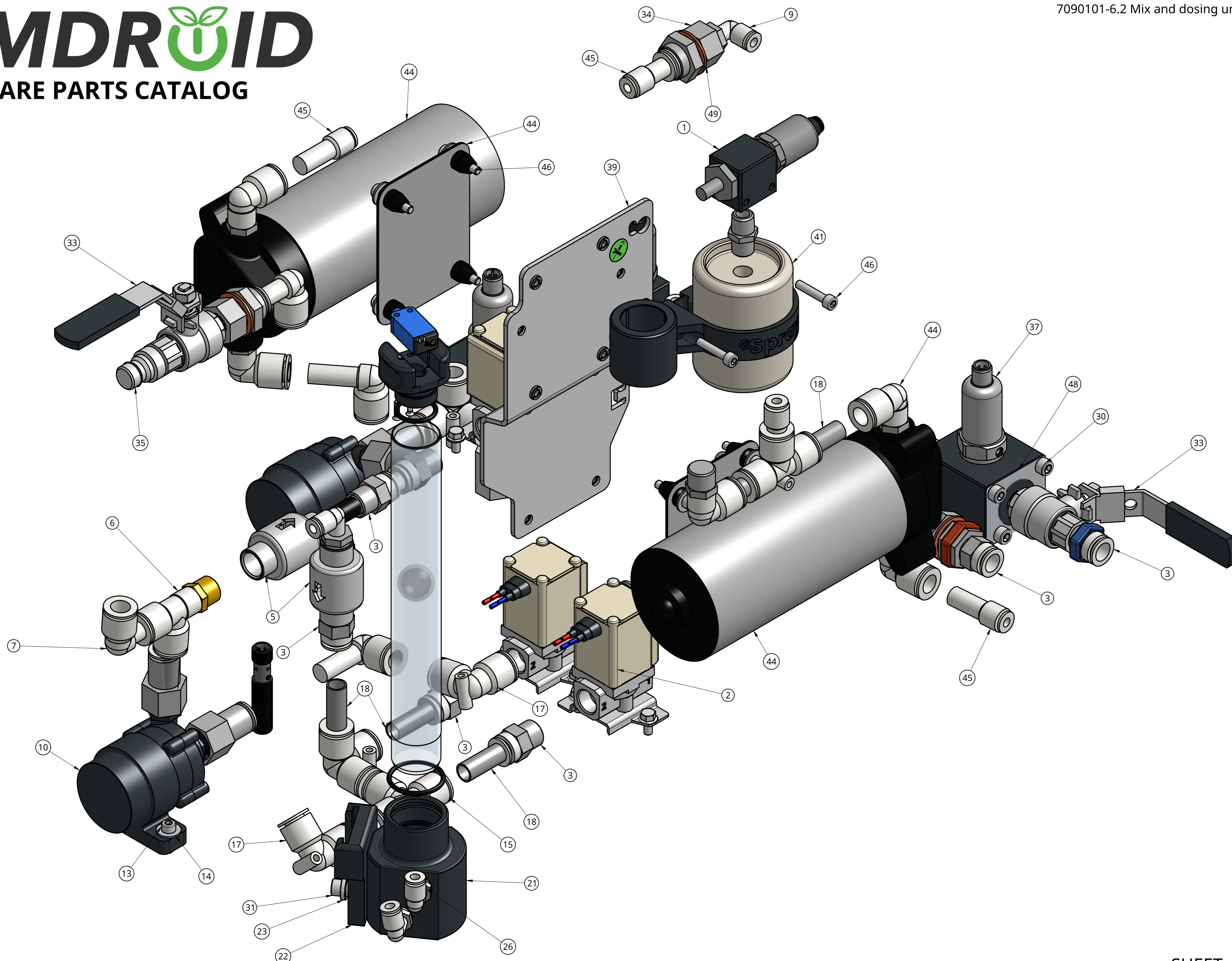
FARMDROID

+SPRAY - SPARE PARTS CATALOG



FARMDROID

+SPRAY - SPARE PARTS CATALOG



FARMDROID

+SPRAY - SPARE PARTS CATALOG

857-354
RELÆMODUL 24 VAC/DC, 6A, 6MM

SSM1D26BD
SOLID STATE RELAY 6A 60VDC

6ES7215-1AG40-0XB0
SIMATIC S7-1200, CPU 1215C, DC/DC/DC, 2 PROFINET PORTS

2903342
RELAY

563-778
RS PRO AUTOSIKRING, 5A, TAN 32V DC

6ES7222-1AD30-0XB0
SIMATIC S7-1200, DIGITAL OUT SB 1222, 4 DQ, 5V DC 200kHz

6ES7231-4HD32-0XB0
SIMATIC S7-1200, ANALOG INPUT, SM 1231, 4 AI, +/-10 V, +/-5 V, +/-2.5 V, OR 0-20 MA/4-20 MA

MDDS10
SMARTDRIVE DC MOTOR DRIVER 10AMP 7V-35V

