

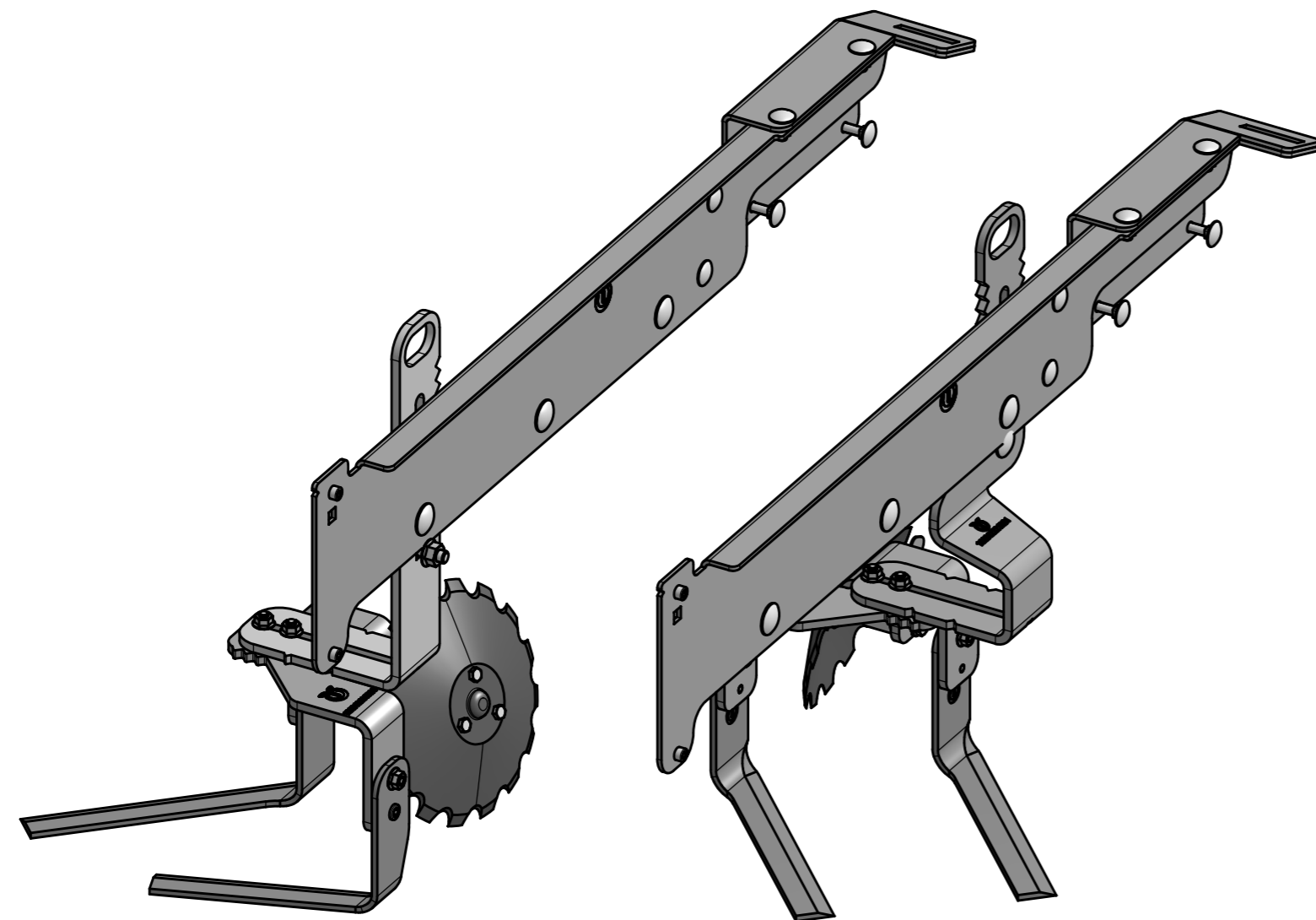
# FARMDROID

COMBI TOOLS V2.0 - SPARE PARTS CATALOG

REFERENCE TO KNOWLEGDE BASE ARTICLE FOR MOUNTING:  
<https://knowledge.farmdroid.io/combi-tool-v2.0>

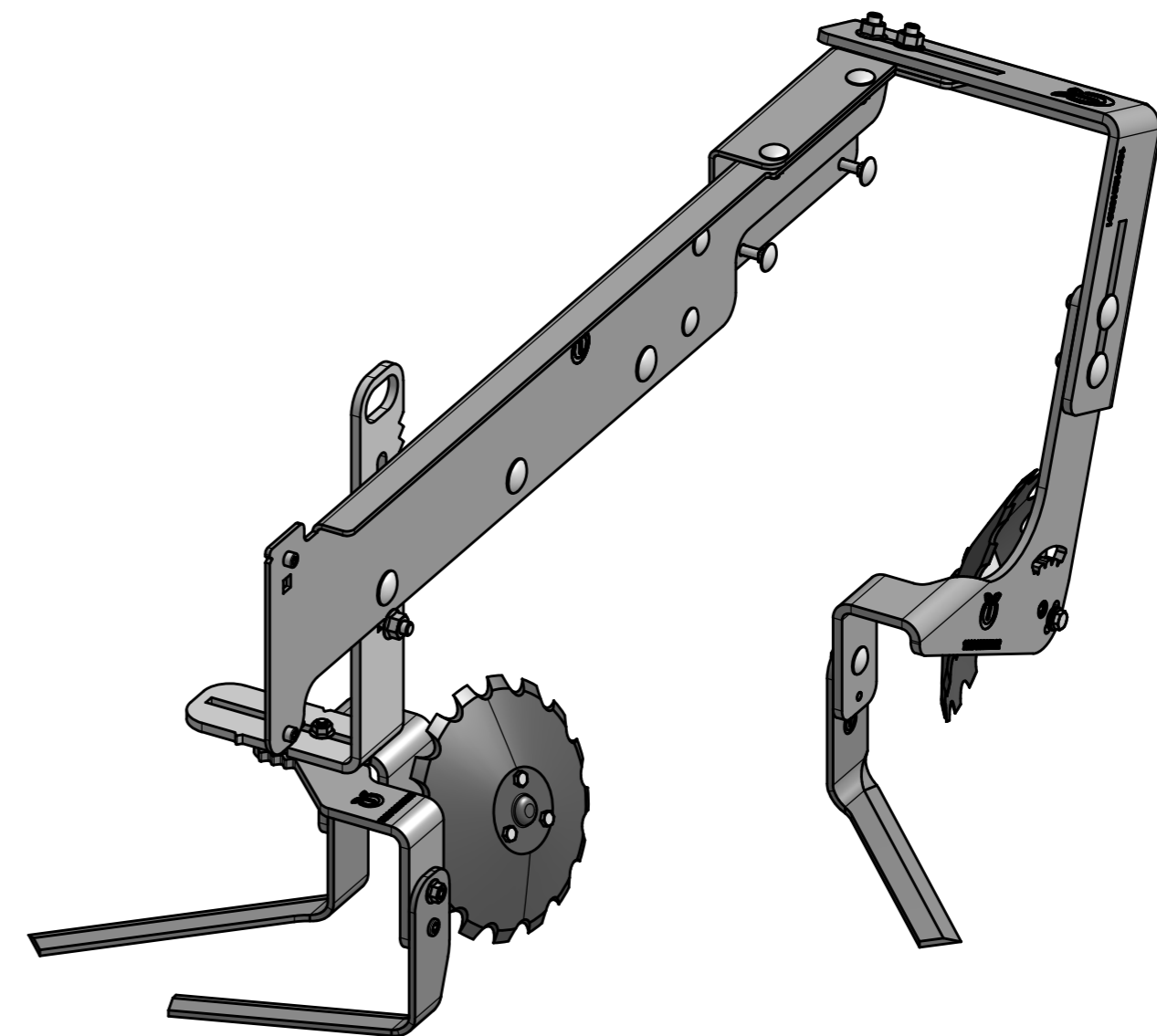
## 102011107

COMBI TOOL ROW DISTANCE 43-51CM  
SEE CATALOGUE PAGE 7090102-1



## 102011108

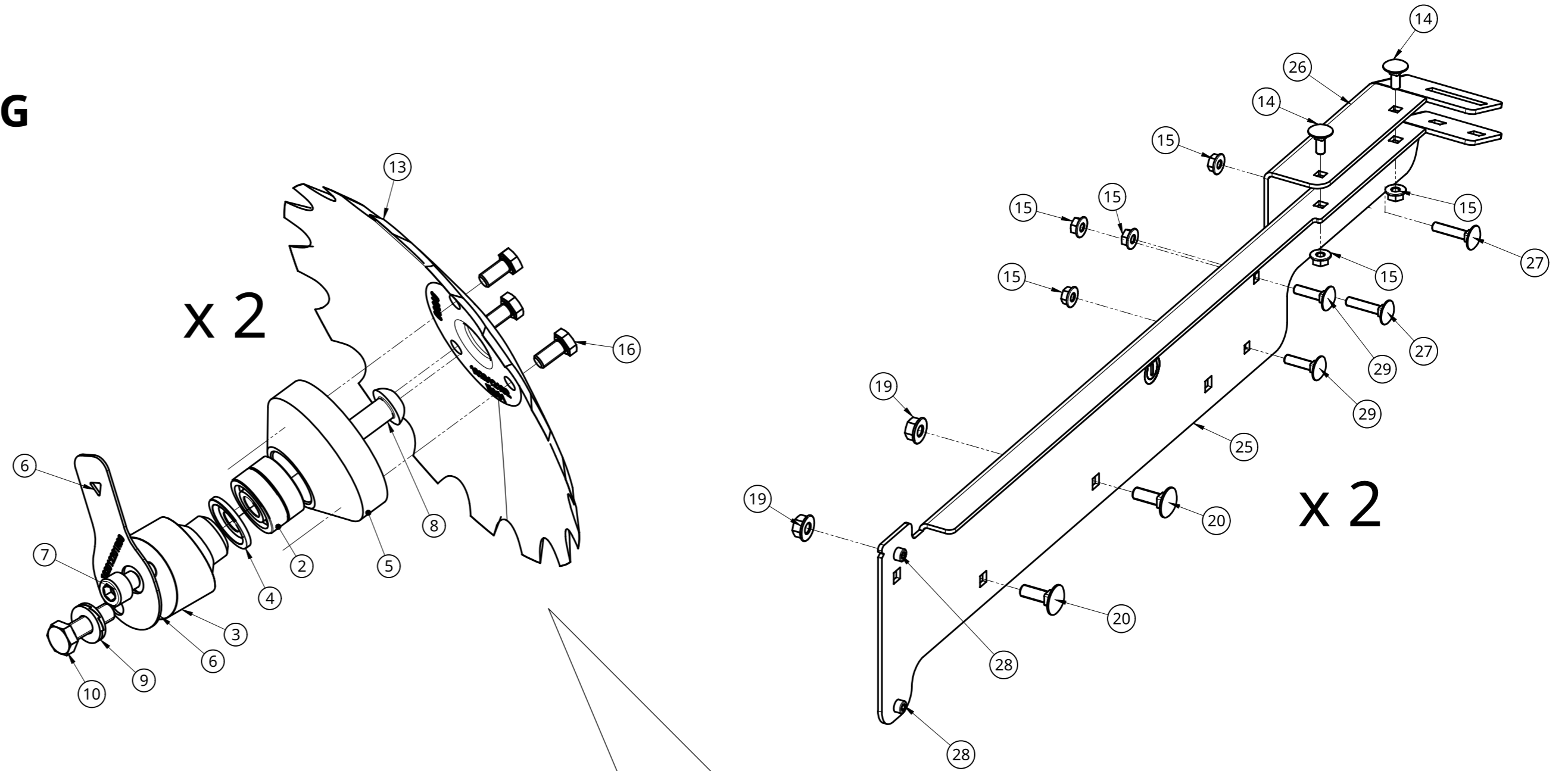
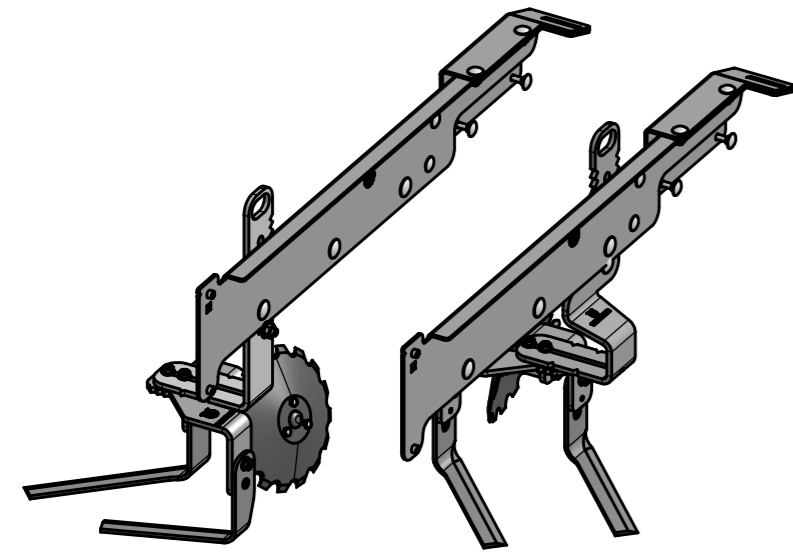
COMBI TOOL ROW DISTANCE 30-43CM  
SEE CATALOGUE PAGE 7090102-2



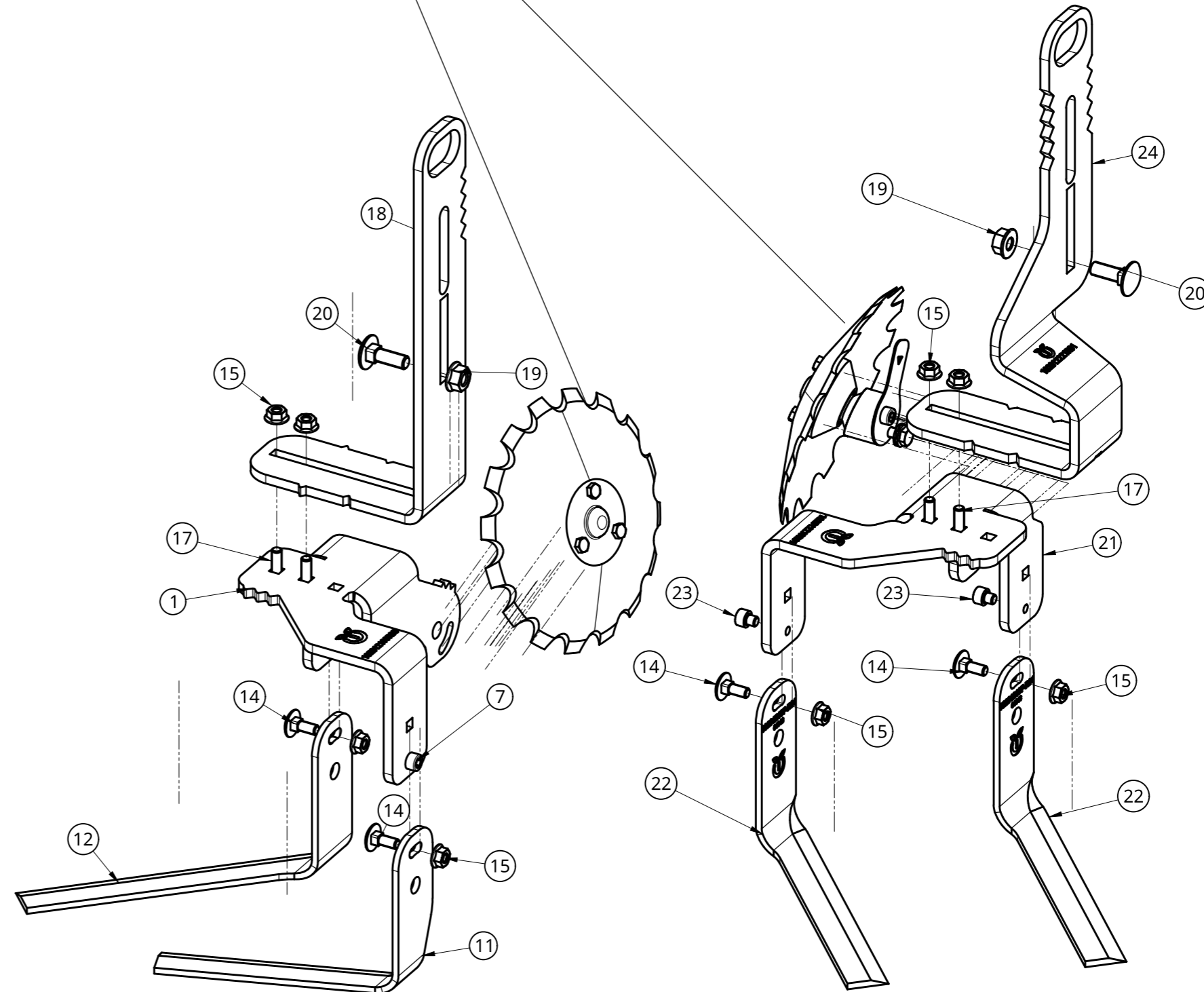
# FARMDROID

## COMBI TOOLS V2.0 - SPARE PARTS CATALOG

**102011107**  
COMBI TOOL ROW DISTANCE 43-51CM



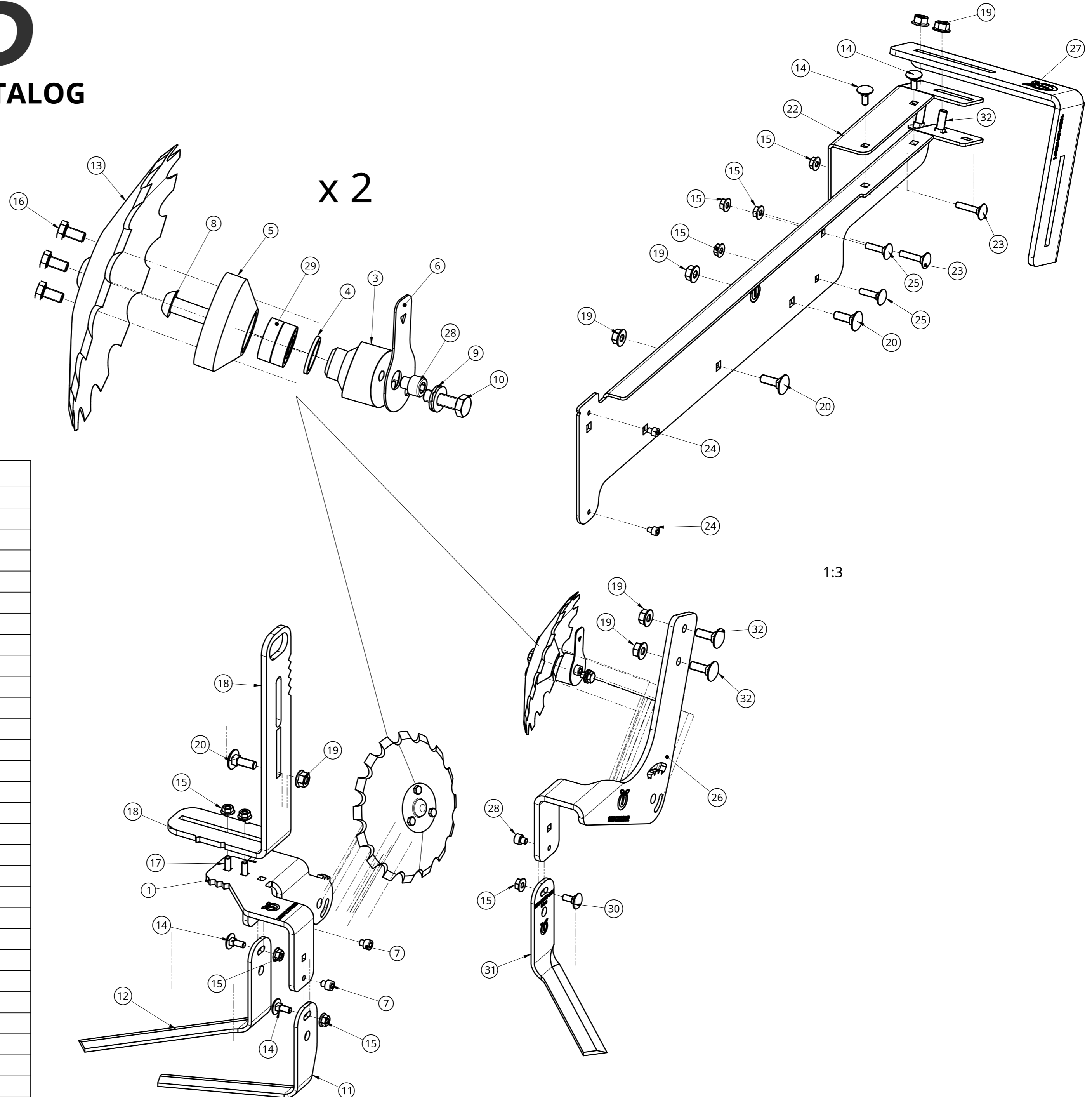
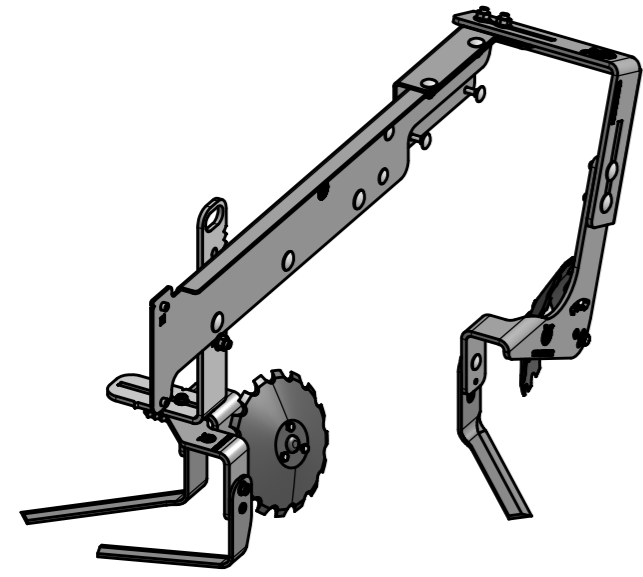
Item	Quantity	Part number	Description
1	1	102012199	Combi Tool Bracket right
2	4	SS-608-2RS	Bearing SS-608-2RS
3	2	102012215	CT Angel Shaft
4	2	Nilos AV6081020	Nilos AV6081020
5	2	102012072	ROLLER DISC BEARING SUPPORT
6	2	102012201	Angle adjustment plate
7	3	912060064	DIN 912 M6X6 A2
8	2	7380080254	Hexagon socket button head screw M8x25 ISO7380
9	2	HLB-06S	HEICO-LOCK washer A4 M6
10	2	933060204	ISO 4017 / DIN 933 M6X20 A2
11	1	1020122216R00	Angle Cutter Left 20° deg 4mm
12	1	102012195R01	Angel Cutter-L 45° 4mm
13	2	102012192R01	Notched Disc
14	8	603060164	ISO8677 / DIN603 M6X16 A2
15	20	6923S064	DIN 6923-S M6 A2
16	6	933050104	ISO 4017 / DIN 933 M5X10 A2
17	4	603060204	ISO8677 / DIN603 M6X20 A2
18	1	102012094	BACK SUPPORT ARM FOR ACTIVE TRAILER
19	8	6923S084	DIN 6923-S M8 A2
20	8	603080254	ISO 8677 / DIN603 M8X25 A2
21	1	102012219	Combi Tool Bracket left
22	2	102012197R01	Angel Cutter-R 45° 4mm
23	3	912060064	DIN 912 M6X6 A2
24	1	102012221	CombiTool side offset bracket
25	2	102012225	Trailer stiffening bracket 1
26	2	102012224	Wagon stiffening bracket inside
27	4	603060304	ISO8677 / DIN603 M6X30 A2
28	4	912050064	DIN 912 M5X6 A2
29	4	603060254	ISO8677 / DIN603 M6X25 A2



# FARMDROID

## COMBI TOOLS V2.0 - SPARE PARTS CATALOG

**102011108**  
COMBI TOOL ROW DISTANCE 30-43CM



Item	Quantity	Part number	Description
1	1	102012199	Combi Tool Bracket right
2	2	SS-608-2RS	Bearing SS-608-2RS
3	2	102012215	CT Angel Shaft
4	2	Nilos AV6081020	Nilos AV6081020
5	2	102012072	ROLLER DISC BEARING SUPPORT
6	2	102012201	Angle adjustment plate
7	3	912060064	DIN 912 M6X6 A2
8	2	7380080254	Hexagon socket button head screw M8x25 ISO7380
9	2	HLB-06S	HEICO-LOCK washer A4 M6
10	2	933060204	ISO 4017 / DIN 933 M6X20 A2
11	1	1020122216R00	Angle Cutter Left 20° deg 4mm
12	1	102012195R01	Angel Cutter-L 45° 4mm
13	2	102012192R01	Notched Disc
14	4	603060164	ISO8677 / DIN603 M6X16 A2
15	11	6923S064	DIN 6923-S M6 A2
16	6	933050104	ISO 4017 / DIN 933 M5X10 A2
17	2	603060204	ISO8677 / DIN603 M6X20 A2
18	1	102012094	BACK SUPPORT ARM FOR ACTIVE TRAILER
19	8	6923S084	DIN 6923-S M8 A2
20	4	603080254	ISO 8677 / DIN603 M8X25 A2
21	1	102012225	Trailer stiffening bracket 1
22	1	102012224	Wagon stiffening bracket inside
23	2	603060304	ISO8677 / DIN603 M6X30 A2
24	2	912050064	DIN 912 M5X6 A2
25	2	603060254	ISO8677 / DIN603 M6X25 A2
26	1	102012222	CT bracket outside of row
27	1	102012218	Combi Tool Front Bracket
28	2	912060064	DIN 912 M6X6 A2
29	2	SS-608-2RS	Bearing SS-608-2RS
30	1	603060162	ISO8677 / DIN603 M6X16 FZB
31	1	102012197R01	Angel Cutter-R 45° 4mm
32	4	603080252	ISO 8677 / DIN603 M8X25 FZB