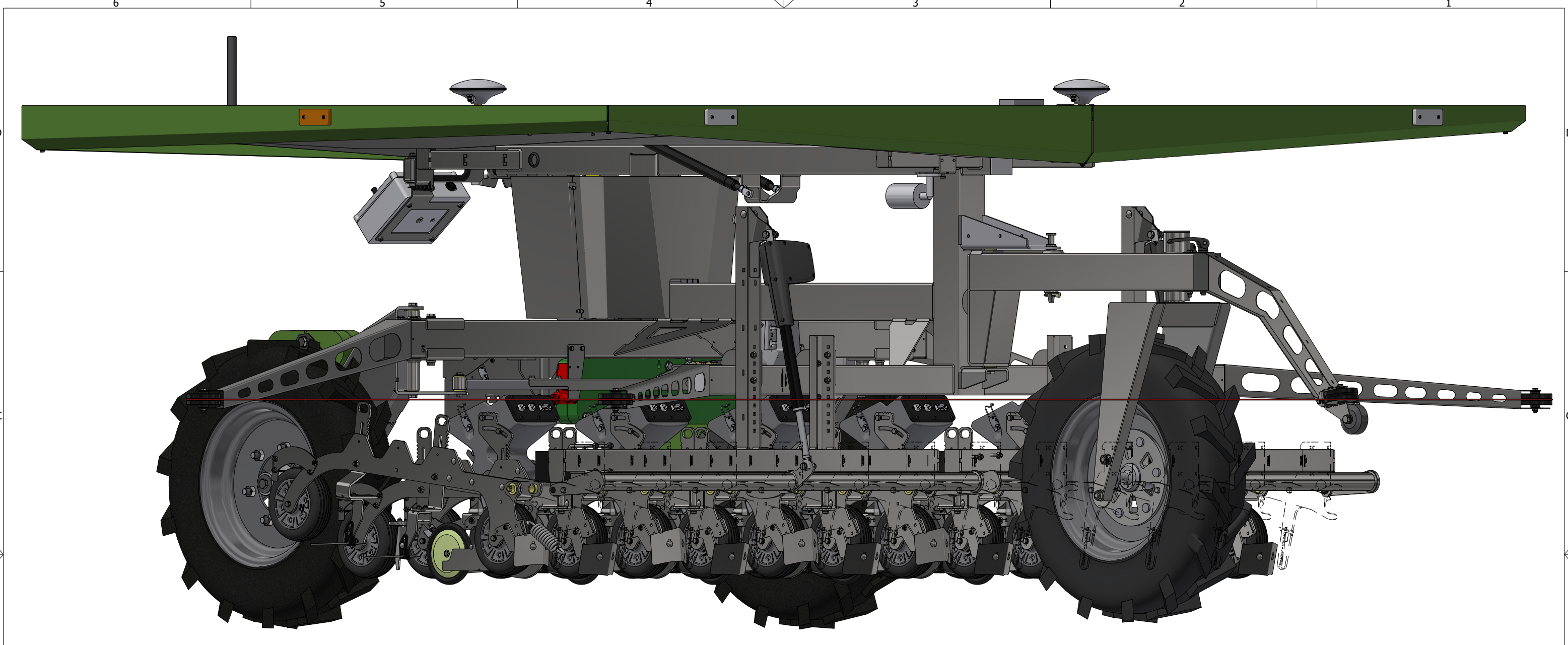


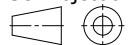

FARMDROID

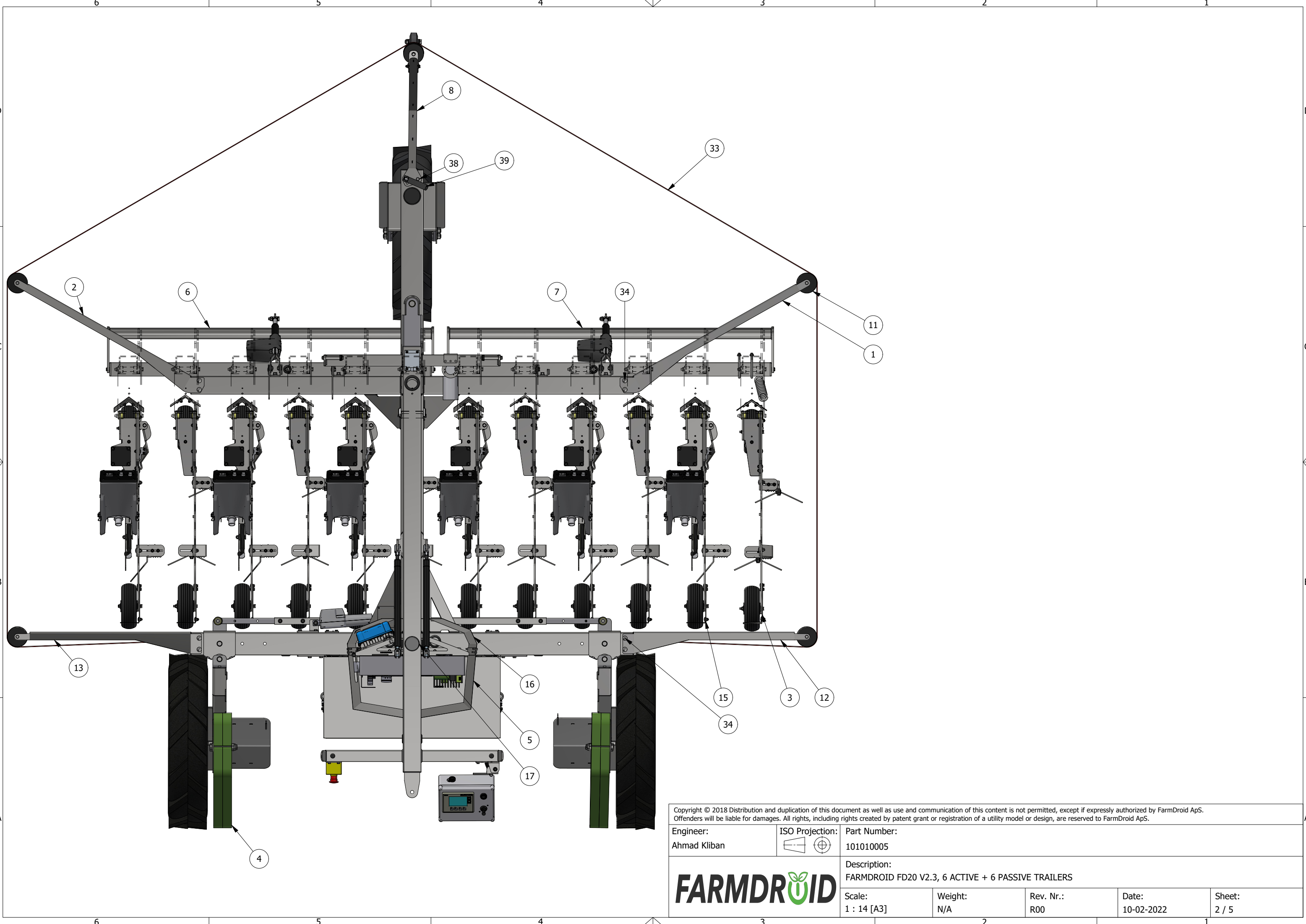


SPARE PARTS CATALOG FD V2.3

FarmDroid ApS
Industrisvinget 5
6600 Vejen, Denmark
+45 8863 8766
info@farmdroid.dk



PARTS LIST					PARTS LIST					
ITEM	QTY	PART NUMBER	REV. NR.	DESCRIPTION	ITEM	QTY	PART NUMBER	REV. NR.	DESCRIPTION	
1	1	101012171	R03	RIGHT FRONT SAFETY WIRE BAR	25	4	933161102		HEX HEAD DIN 933 M16X110 FZB	
2	1	101012170	R03	LEFT FRONT SAFETY WIRE BAR	26	4	985V162		DIN 985 LOCK NUT M16 FZB	
3	6	102011025	R02	PASSIVE TRAILER ASSEMBLY	27	4	125A164		DIN 125A WASHER M16 A2	
4	4	101012254	R01	WEIGHT PIECE 35KG	28	16	6923084		DIN 6923 FLANGE NUT M8 A2	
5	1	101012231	R01	BACK COVER PLATE FOR ELECTRICAL BOX	29	8	912050164		DIN 912 HEX HEAD M5X16MM A2	
6	1	102011039	R01	TOOL BEAM ASSEMBLY LEFT	30	11	125A084		DIN 125A WASHER M8 A2	
7	1	102011040	R01	TOOL BEAM ASSEMBLY RIGHT	31	2	50.267		STRAP EPDM 400 MM	
8	1	101011046	R01	FRONT SAFETY ARM ASSEMBLY	32	4	931080604		DIN 931 HEX HEAD M8X60MM A2	
9	2	101012260	R01	BRACKET FOR ADDITIONAL WEIGHT	33	1	XY2CZ301		WIRE 3,2MM, GALVANIZED, RED	
10	1	101011053	R00	BATTERY SHELF TOP ASSEMBLY	34	16	603080164		DIN 603 MUSHROOM HEAD M8X16MM A2	
11	4	101012169	R00	Safety wire wheel	35	2	DPE 80 30 40 01		DUPSKO 80X80X3	
12	1	101012173	R00	Right back safety wire bar	36	7	985V084		DIN 985 LOCK NUT M8 A2	
13	1	101012172	R00	Left back safety wire bar	37	2	B024F120HG01		BATTERY LITHIUM-ION 24V, 120Ah, CB, LFP, 120A	
14	1	101011048	R00	ROLLING CHASSIS WITH SOLAR PANELS	38	1	931081204		DIN 931 HEX HEAD M8X120MM A2	
15	6	102011037	R00	ACTIVE TRAILER ASSEMBLY V2.2	39	1	209274101M820B		ECCENTRIC LOCK	
16	1	101012283	R00	FRONT COVER PLATE FOR ELECTRICAL BOX	40	3	DPE 100 100 01		DUPSKO 100X100X3-6mm	
17	1	DPD 60 01		DUPSKO Ø60 Sort	Copyright © 2018 Distribution and duplication of this document as well as use and communication of this content is not permitted, except if expressly authorized by FarmDroid ApS. Offenders will be liable for damages. All rights, including rights created by patent grant or registration of a utility model or design, are reserved to FarmDroid ApS.					
18	8	6331084		DIN 6331 FLANGE NUT M8-1,5H						
19	1	9044785		SPRING, D4,5x35,5xLO165MM, 10270-1 GALVANIZED SH, TYPE 9044785	Engineer: Ahmad Kliban	ISO Projection: 		Part Number: 101010005		
20	8	6923S084		DIN 6923S FLANGE NUT M8 A2						
21	4	AP200106		TUBE CLAMP SQUARED, A62,0 B104,0 C30,0 D8,0 E7,10 R4,0 SS304						
22	8	125A054		DIN 125A WASHER M5 A2	Description: FARMDROID FD20 V2.3, 6 ACTIVE + 6 PASSIVE TRAILERS		Scale: 1 : 10,20 [A3]		Weight: N/A	
23	4	985V084		DIN 985 LOCK NUT M8 A2	Rev. Nr.: R00		Date: 10-02-2022		Sheet: 1 / 5	
24	4	933080254		DIN 933 HEX HEAD M8X25MM A2						

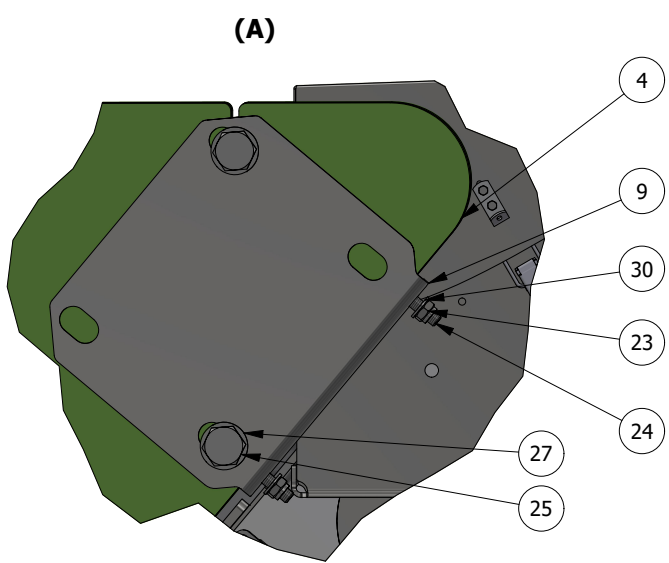
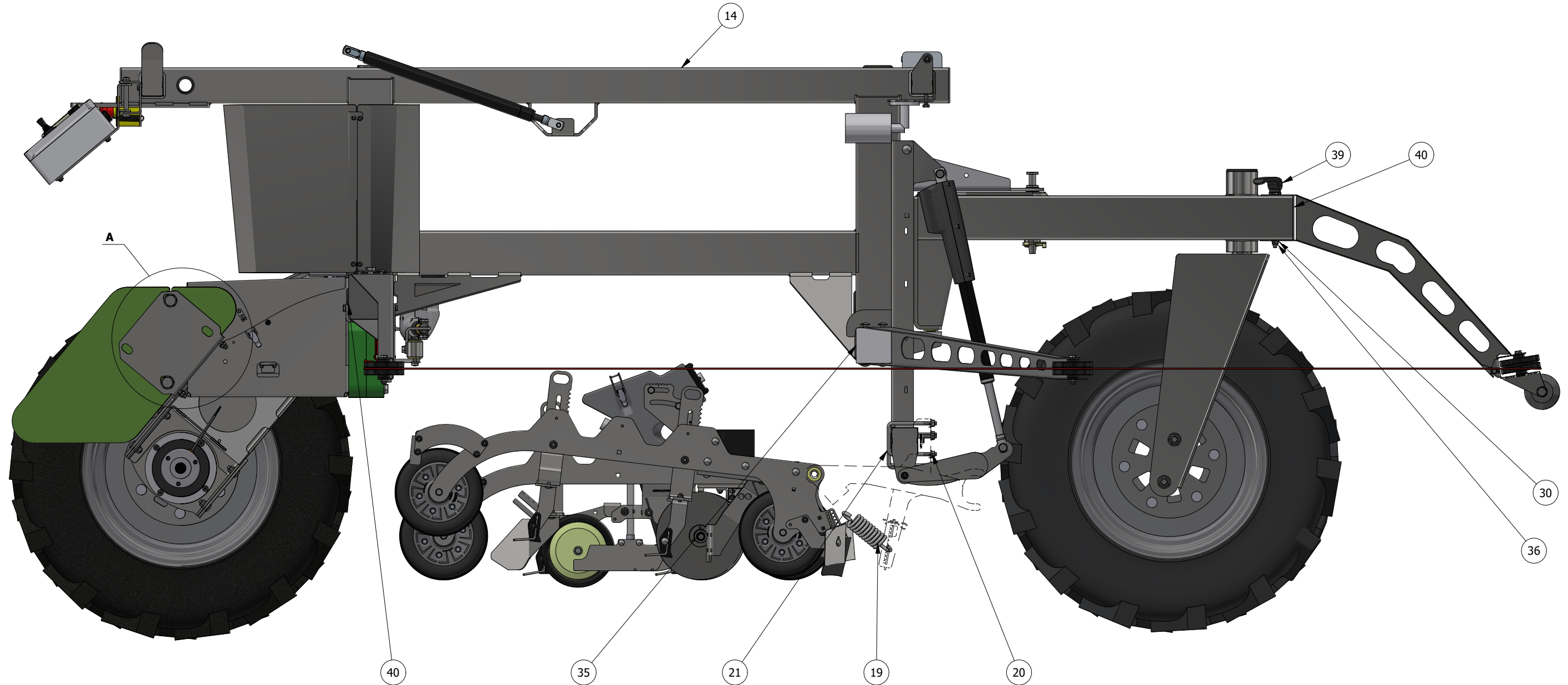


Copyright © 2018 Distribution and duplication of this document as well as use and communication of this content is not permitted, except if expressly authorized by FarmDroid ApS. Offenders will be liable for damages. All rights, including rights created by patent grant or registration of a utility model or design, are reserved to FarmDroid ApS.

Engineer: Ahmad Kliban	ISO Projection: 	Part Number: 101010005
---------------------------	---------------------	---------------------------

		Description: FARMROID FD20 V2.3, 6 ACTIVE + 6 PASSIVE TRAILERS		
--	--	-------------------------------------------------------------------	--	--

Scale: 1 : 14 [A3]	Weight: N/A	Rev. Nr.: R00	Date: 10-02-2022	Sheet: 2 / 5
-----------------------	----------------	------------------	---------------------	-----------------

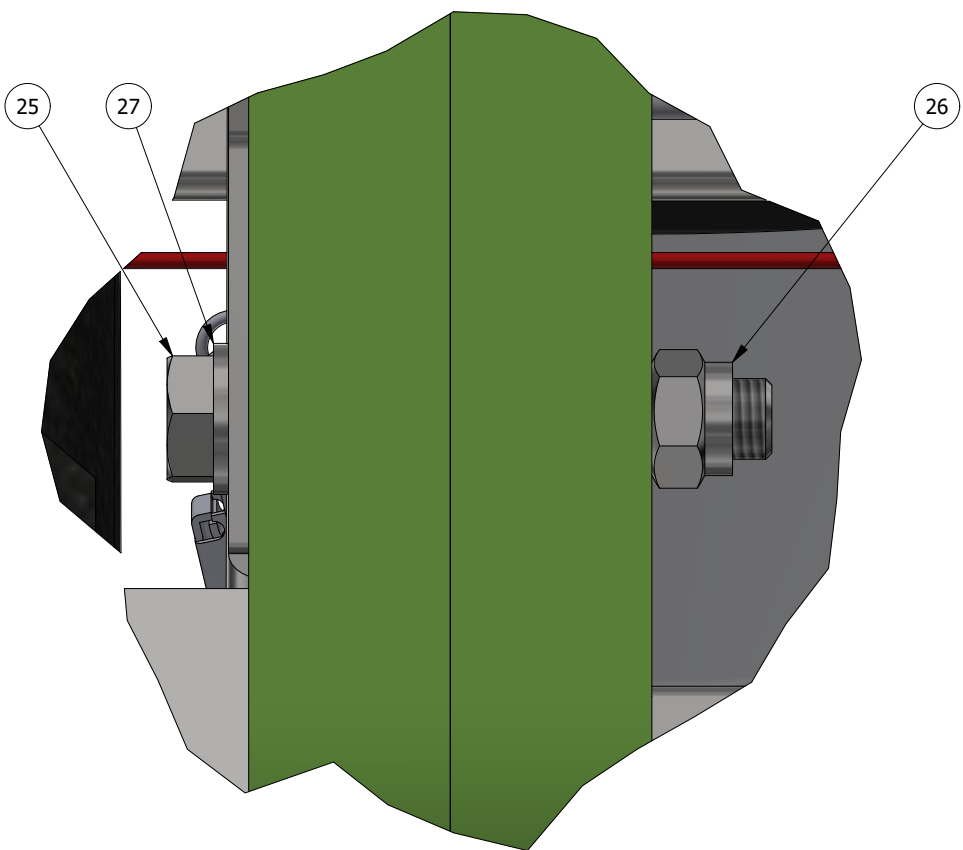
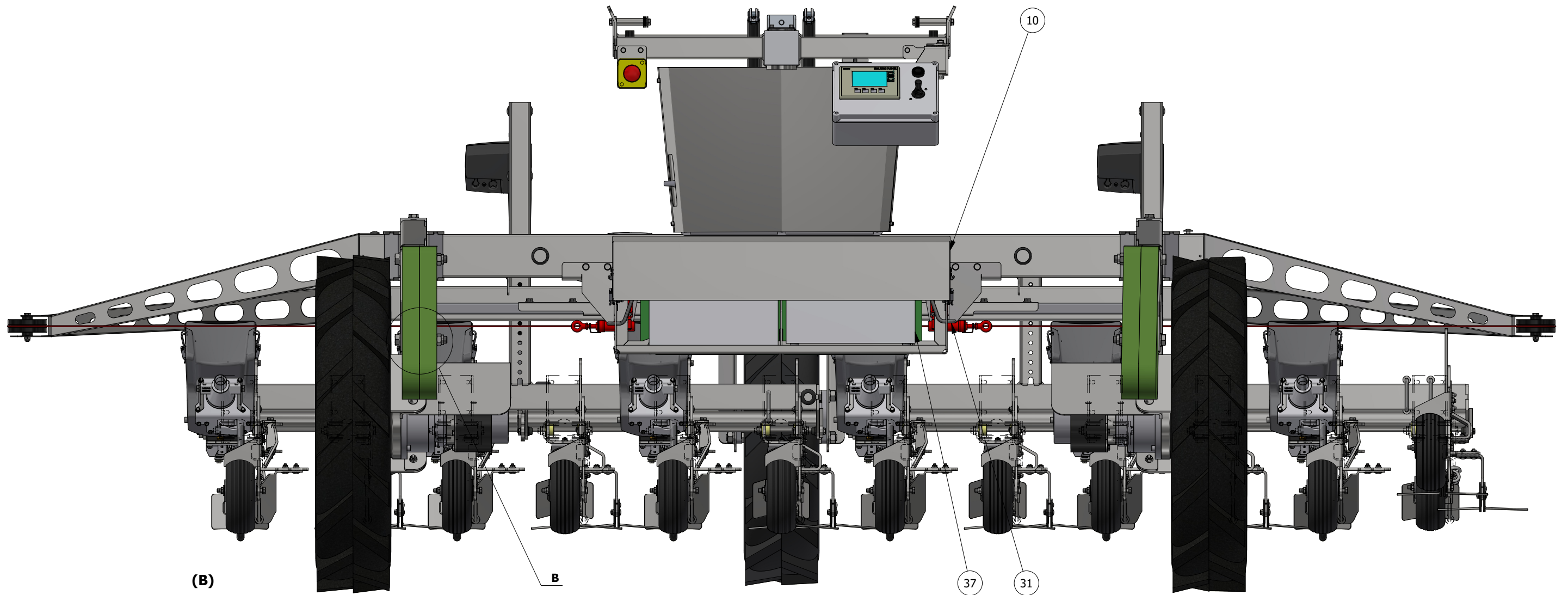


Copyright © 2018 Distribution and duplication of this document as well as use and communication of this content is not permitted, except if expressly authorized by FarmDroid ApS. Offenders will be liable for damages. All rights, including rights created by patent grant or registration of a utility model or design, are reserved to FarmDroid ApS.

Engineer: Ahmad Kliban	ISO Projection: 	Part Number: 101010005
---------------------------	---------------------	---------------------------

FARMDROID	Description: FARMDROID FD20 V2.3, 6 ACTIVE + 6 PASSIVE TRAILERS
------------------	--------------------------------------------------------------------

Scale: 1 : 9,5 [A3]	Weight: N/A	Rev. Nr.: R00	Date: 10-02-2022	Sheet: 3 / 5
------------------------	----------------	------------------	---------------------	-----------------

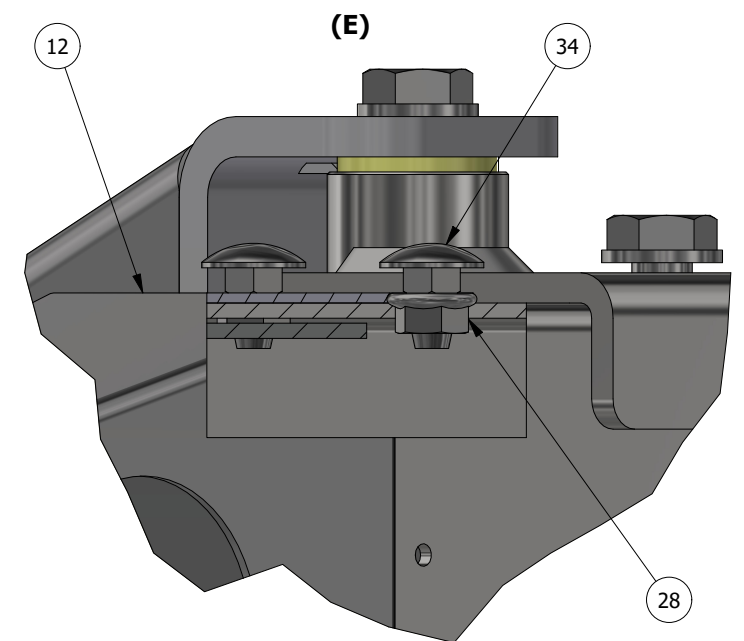
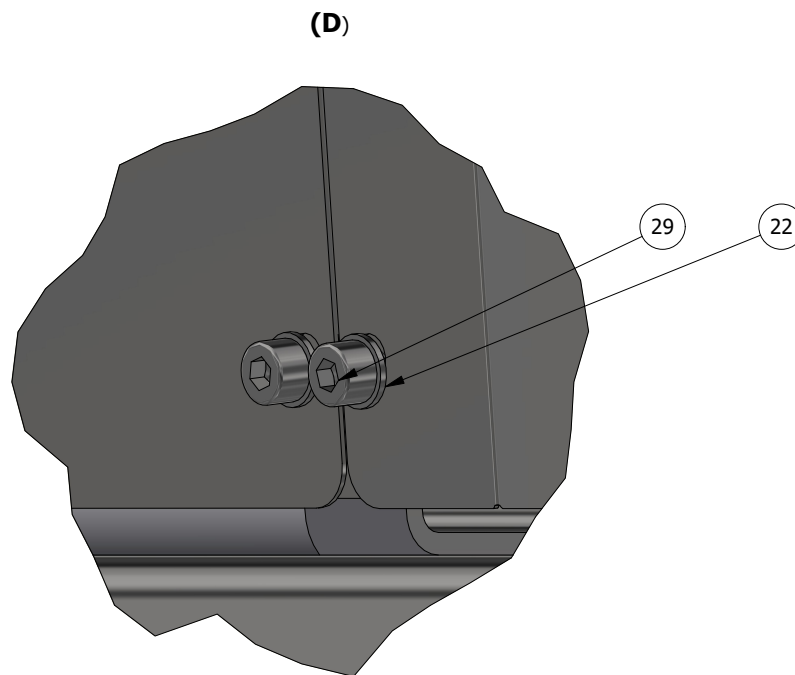
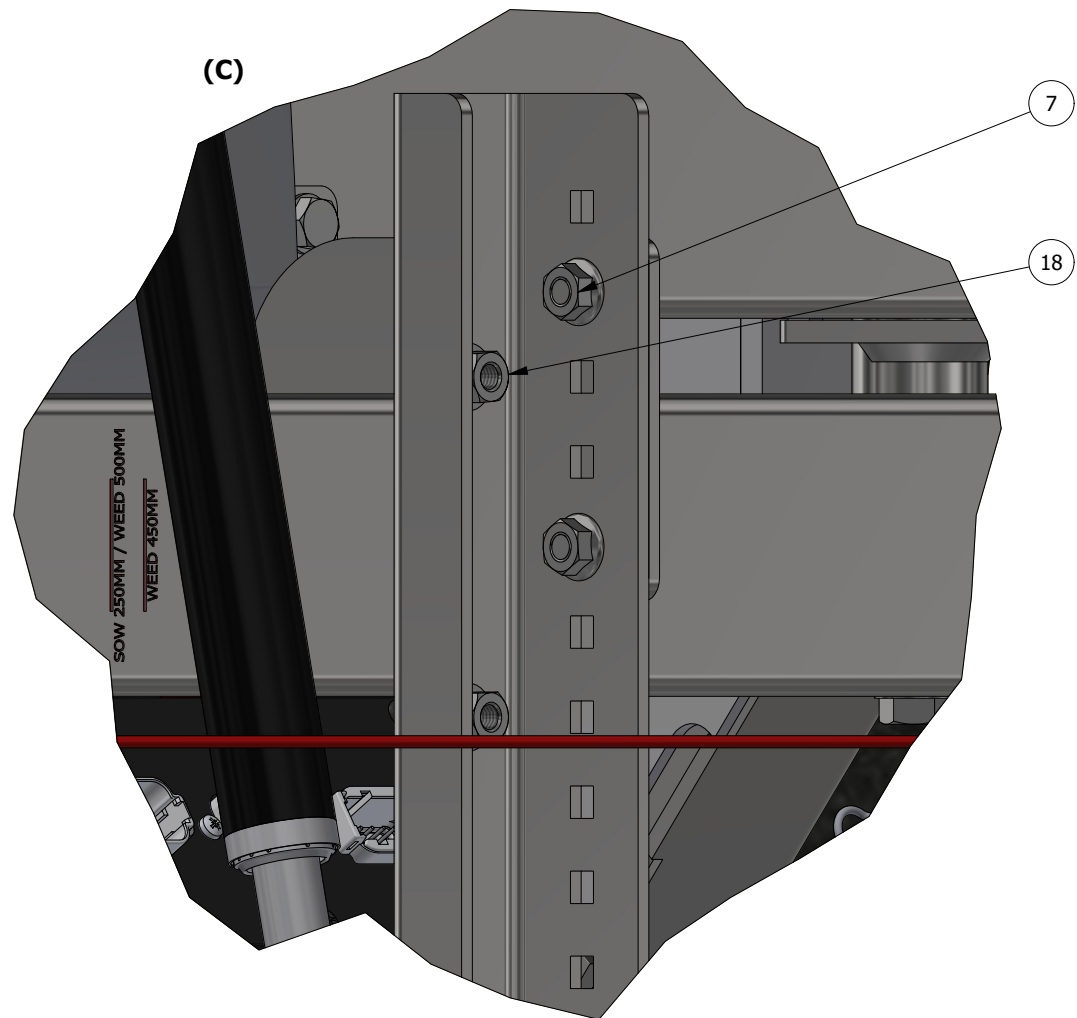
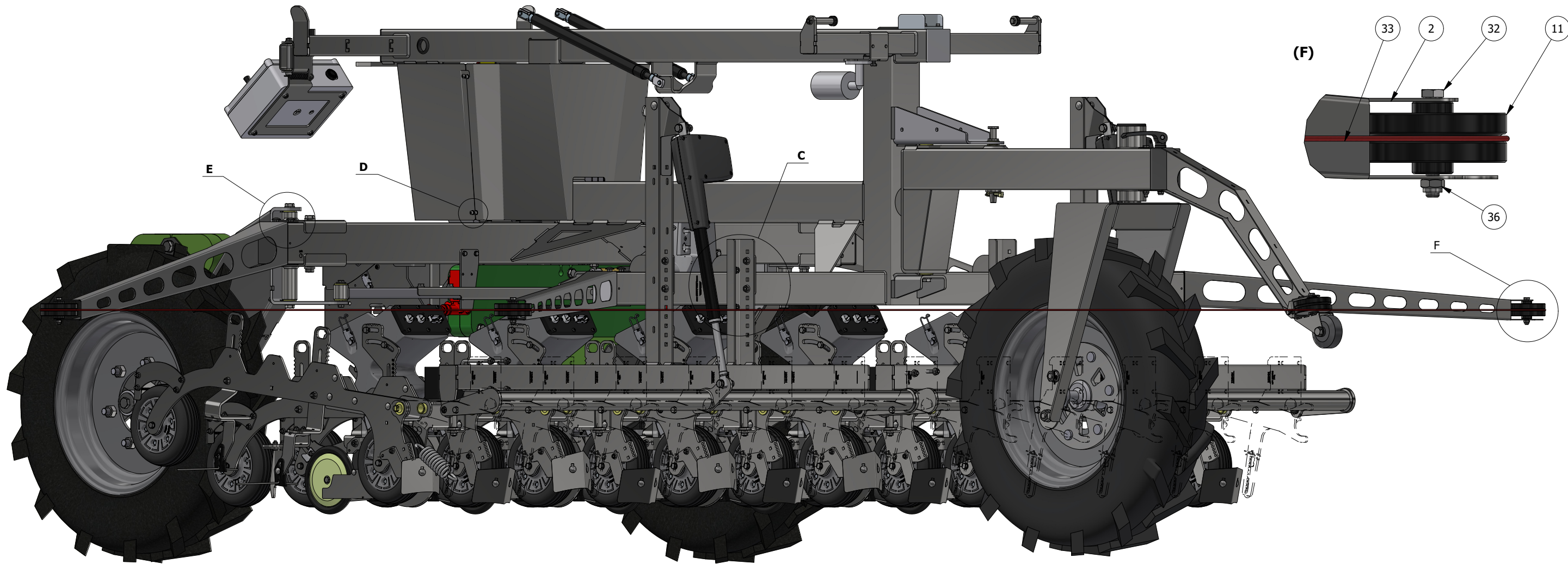


Copyright © 2018 Distribution and duplication of this document as well as use and communication of this content is not permitted, except if expressly authorized by FarmDroid ApS. Offenders will be liable for damages. All rights, including rights created by patent grant or registration of a utility model or design, are reserved to FarmDroid ApS.

Engineer: Ahmad Kliban	ISO Projection: 	Part Number: 101010005
---------------------------	---------------------	---------------------------

FARMDROID	Description: FARMDROID FD20 V2.3, 6 ACTIVE + 6 PASSIVE TRAILERS			
	Scale: 1 : 9,5 [A3]	Weight: N/A	Rev. Nr.: R00	Date: 10-02-2022

Sheet: 4 / 5



Copyright © 2018 Distribution and duplication of this document as well as use and communication of this content is not permitted, except if expressly authorized by FarmDroid ApS. Offenders will be liable for damages. All rights, including rights created by patent grant or registration of a utility model or design, are reserved to FarmDroid ApS.

Engineer: Ahmad Kliban
 ISO Projection: 
 Part Number: 101010005



Description: FARMDROID FD20 V2.3, 6 ACTIVE + 6 PASSIVE TRAILERS

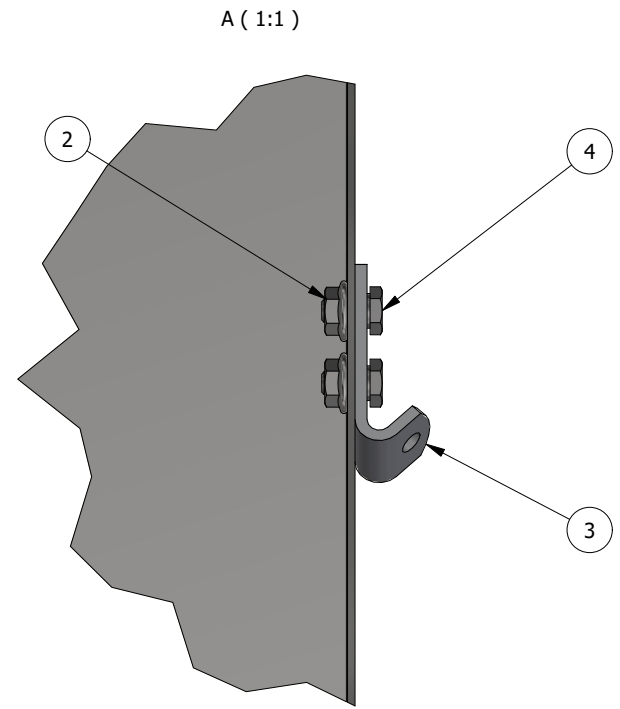
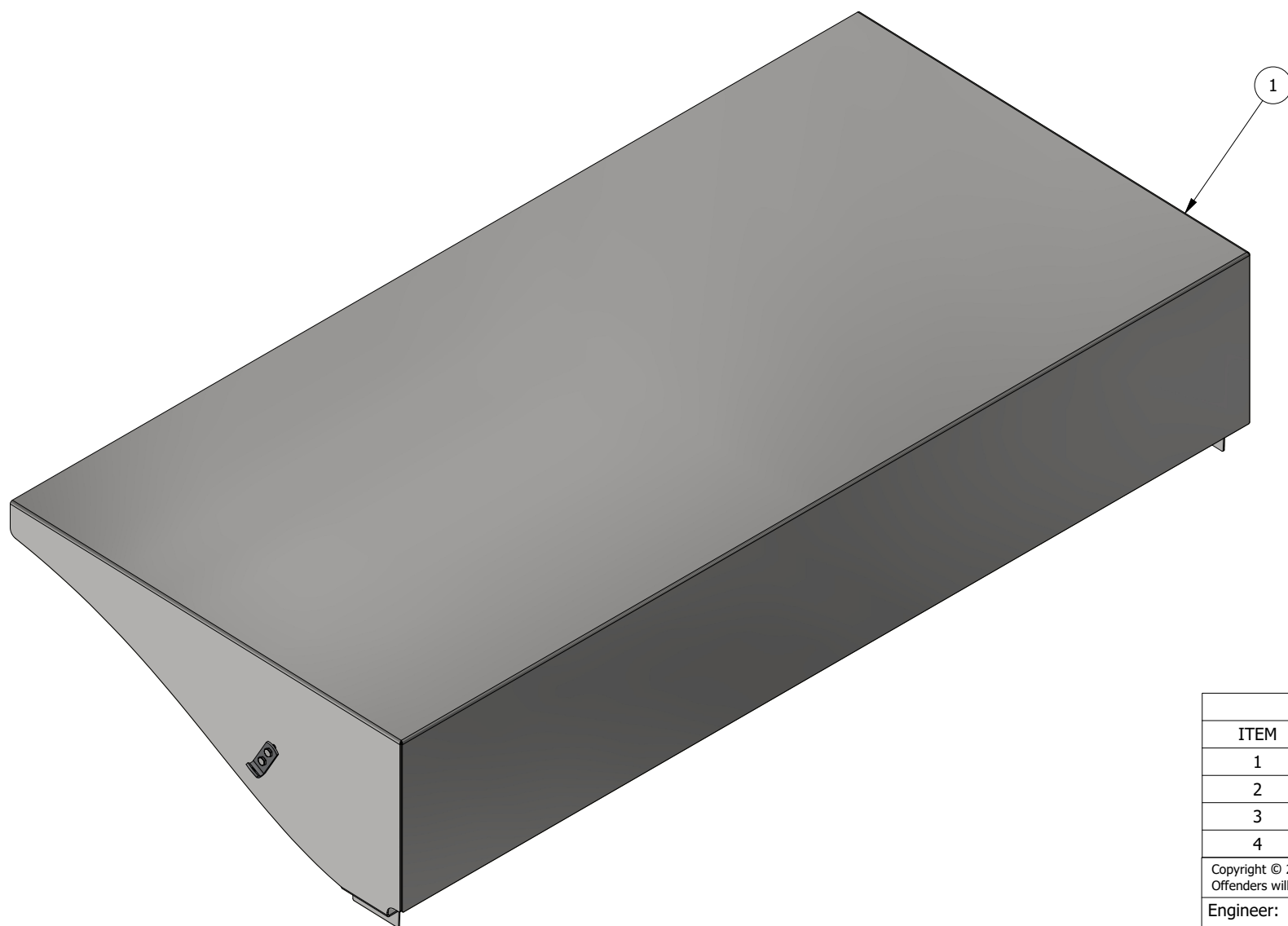
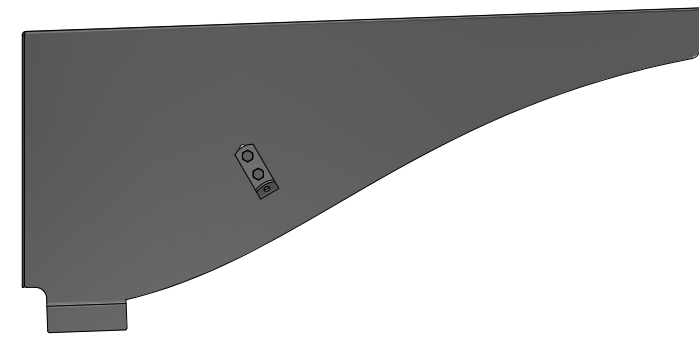
Scale: 1 : 10 [A3]

Weight: N/A

Rev. Nr.: R00

Date: 10-02-2022

Sheet: 5 / 5



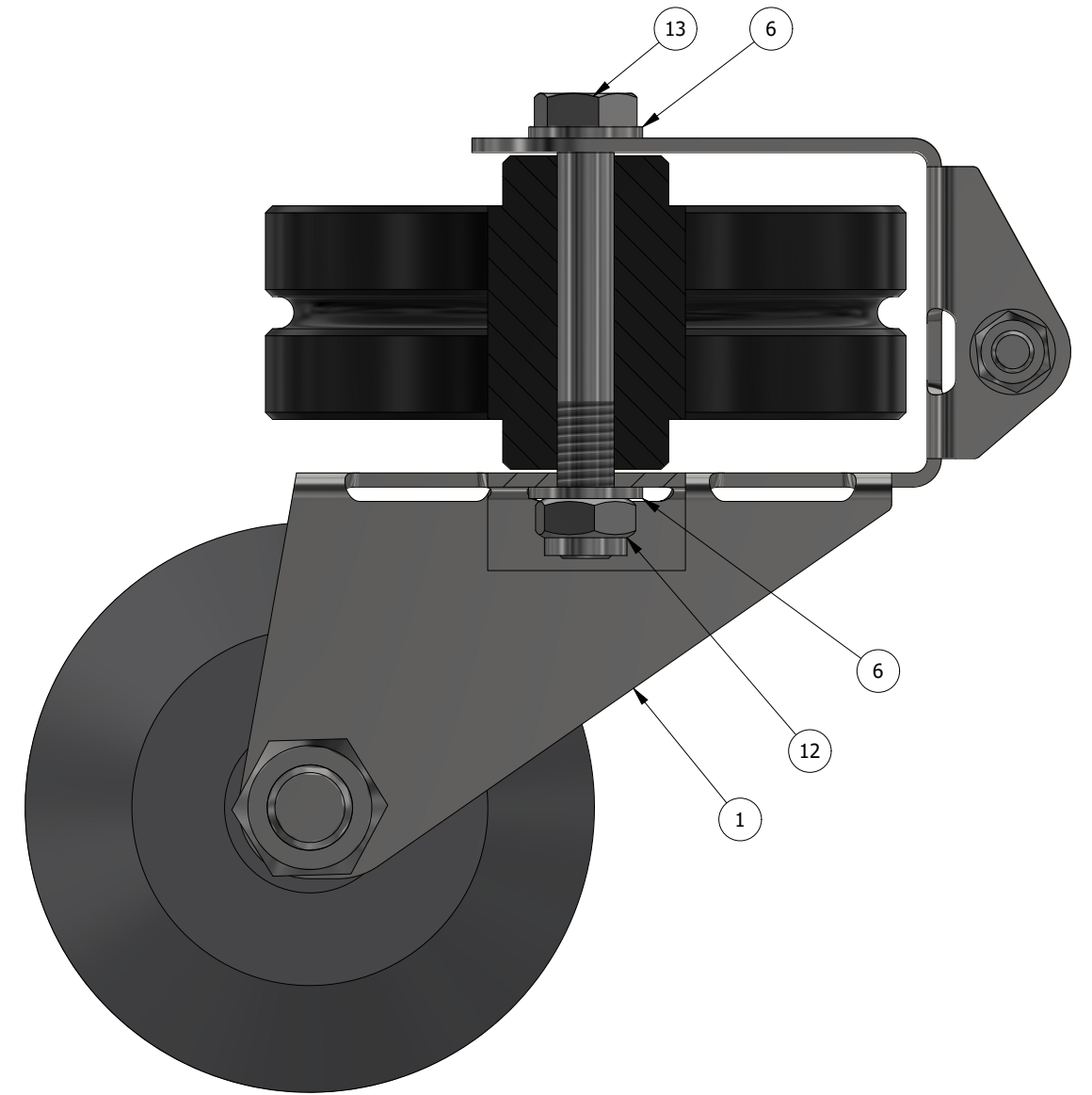
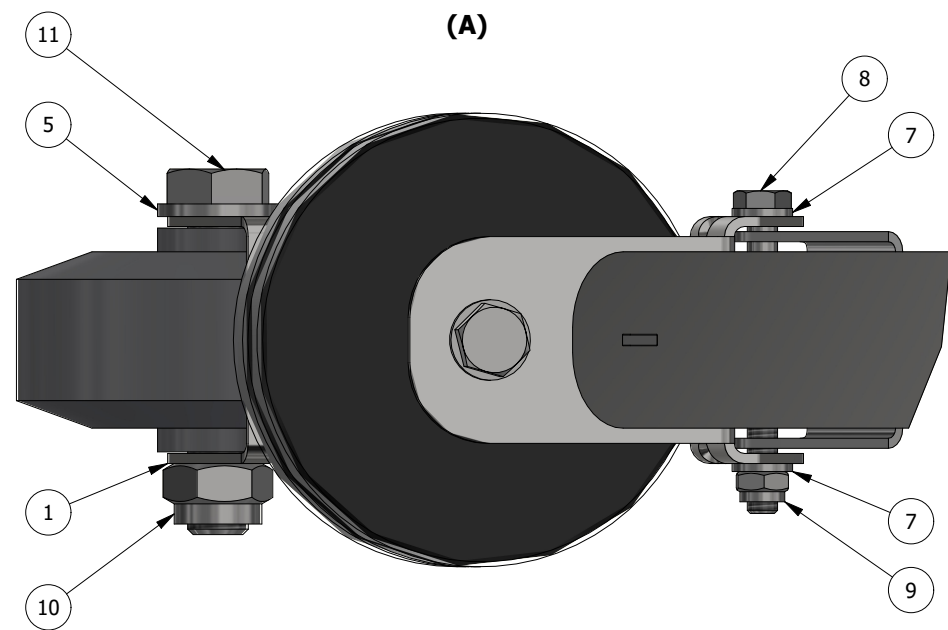
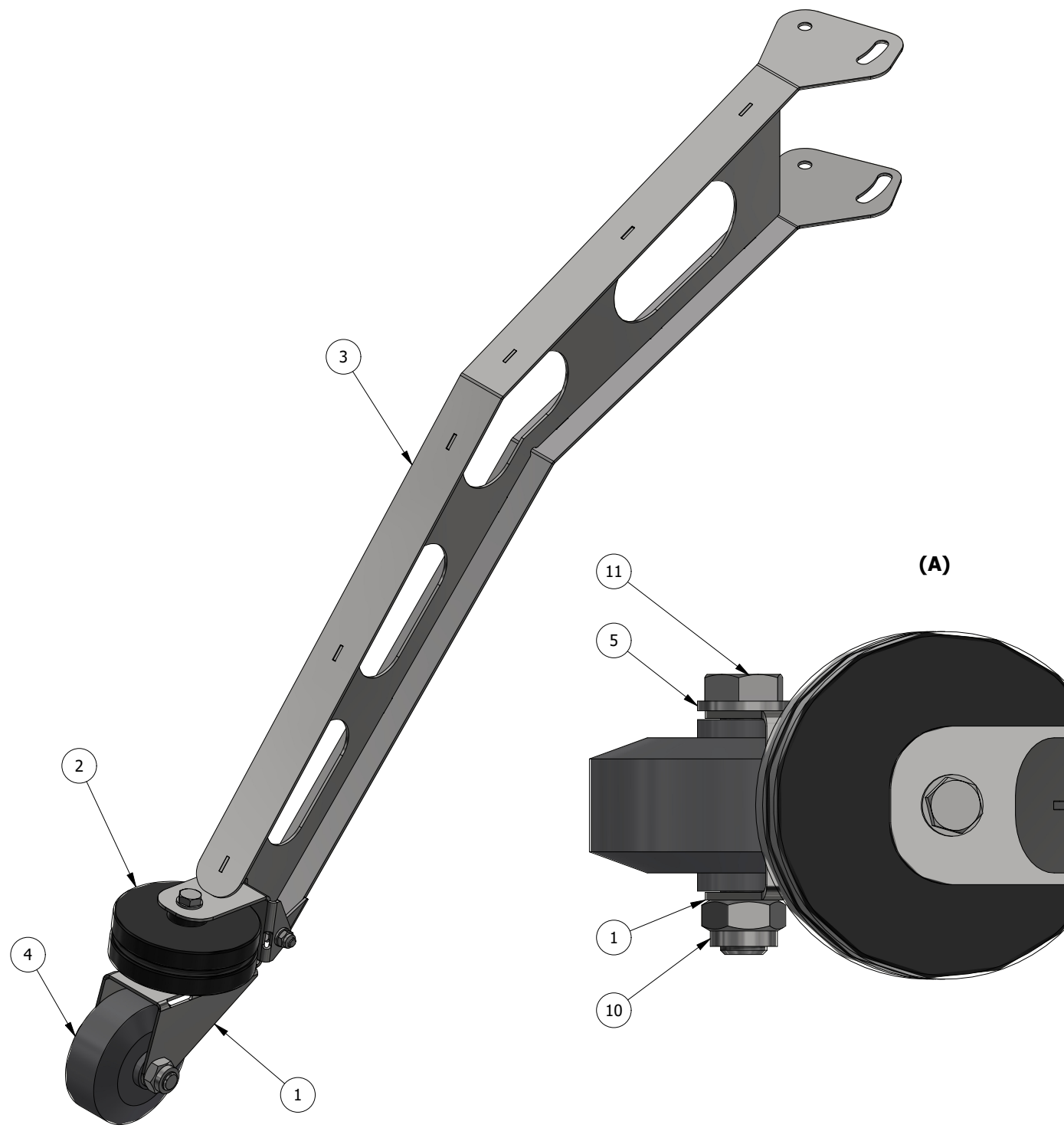
PARTS LIST				
ITEM	QTY	PART NUMBER	REV. NR.	DESCRIPTION
1	1	101012209	R04	BATTERY SHELF TOP
2	4	6923S034		DIN 6923S FLANGE NUT M3 A2
3	2	02-504SS		Catch plate for toggle latch
4	4	933030064		DIN 933 HEX HEAD M3X6MM A2

Copyright © 2018 Distribution and duplication of this document as well as use and communication of this content is not permitted, except if expressly authorized by FarmDroid ApS. Offenders will be liable for damages. All rights, including rights created by patent grant or registration of a utility model or design, are reserved to FarmDroid ApS.

Engineer: Ahmad Kliban ISO Projection: Part Number: 101011053

FARMDROID Description: BATTERY SHELF TOP ASSEMBLY

Scale: 1 : 4 [A3] Weight: N/A Rev. Nr.: R00 Date: 10-02-2022 Sheet: 1 / 1



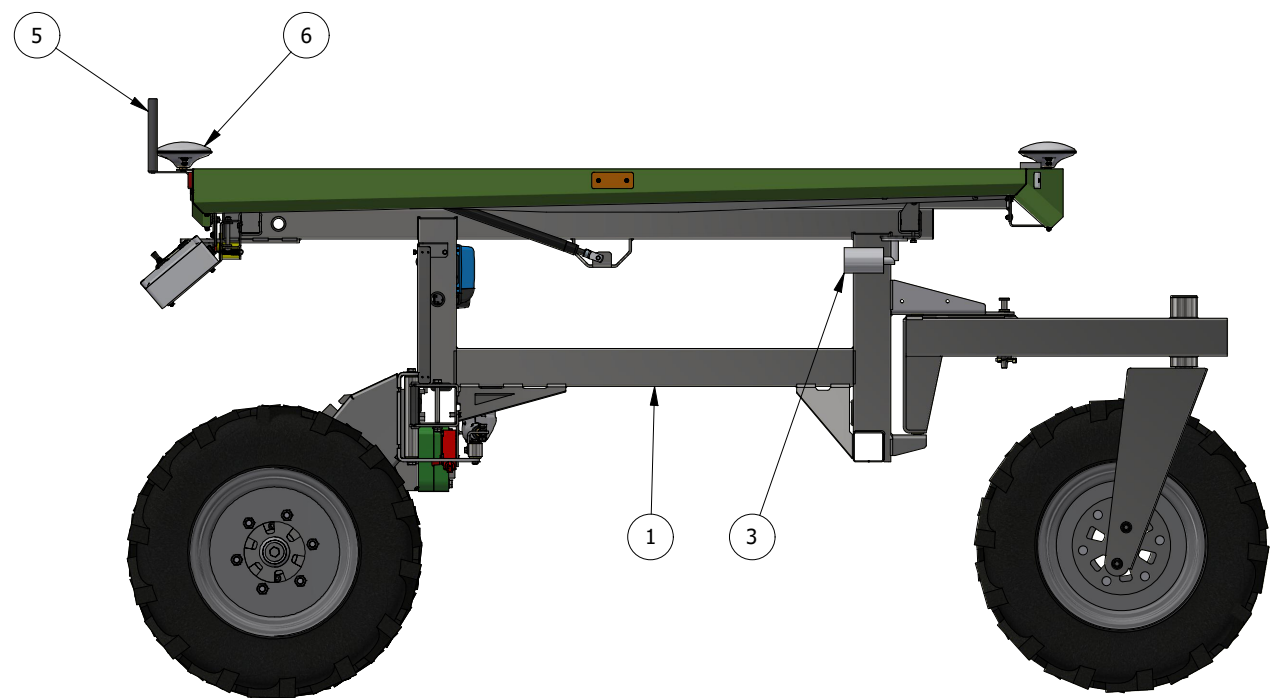
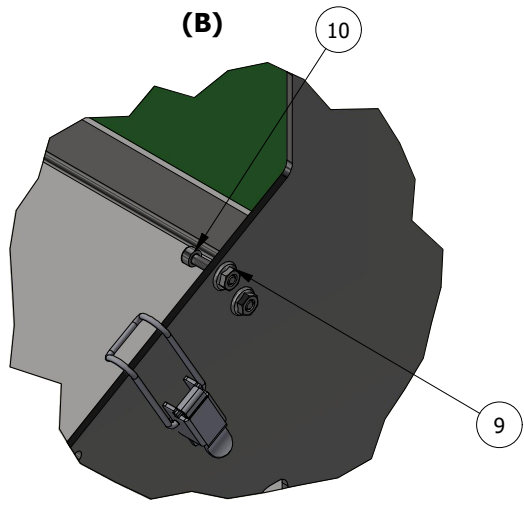
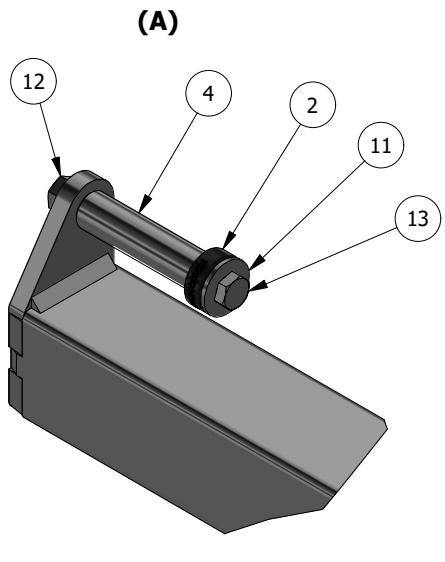
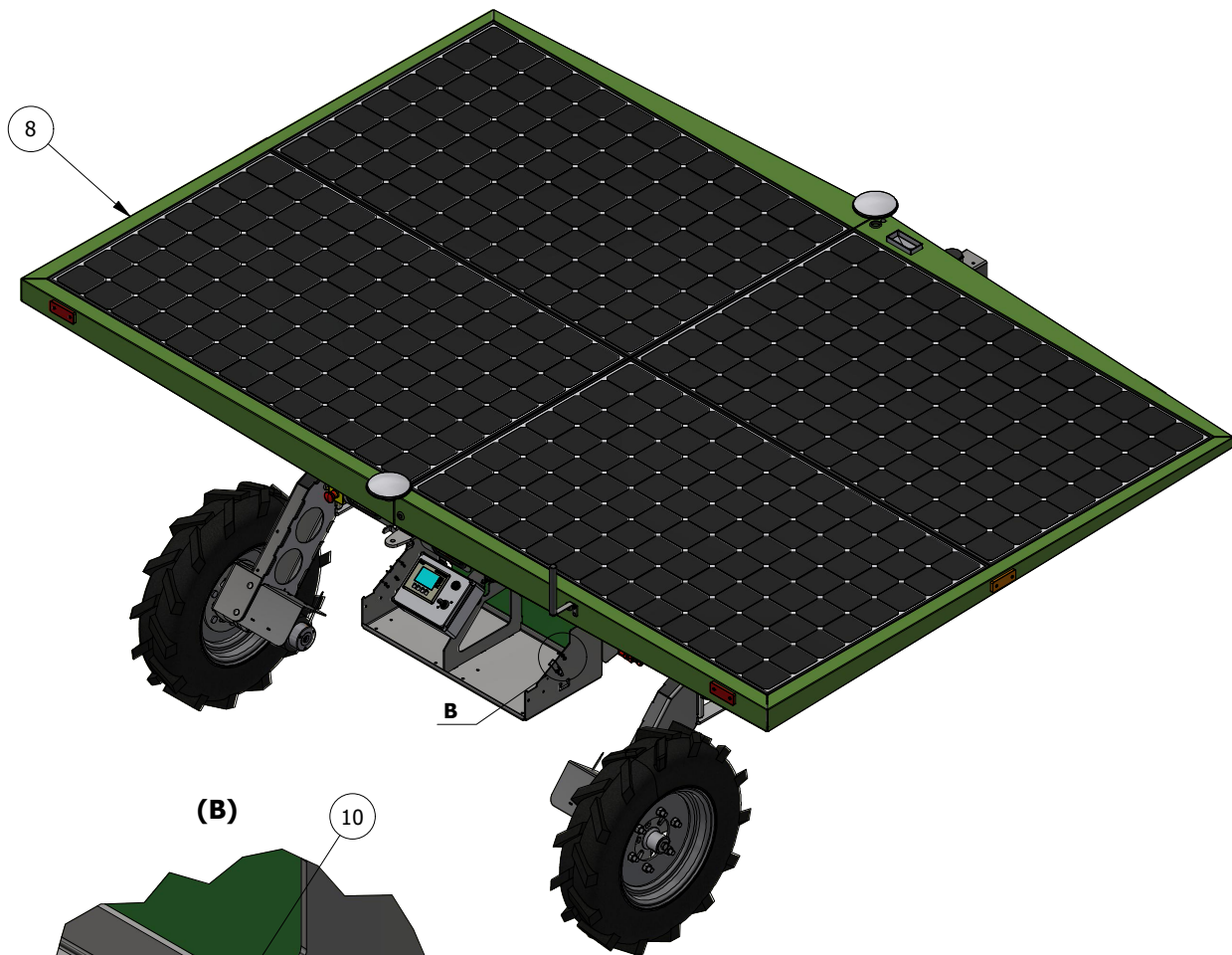
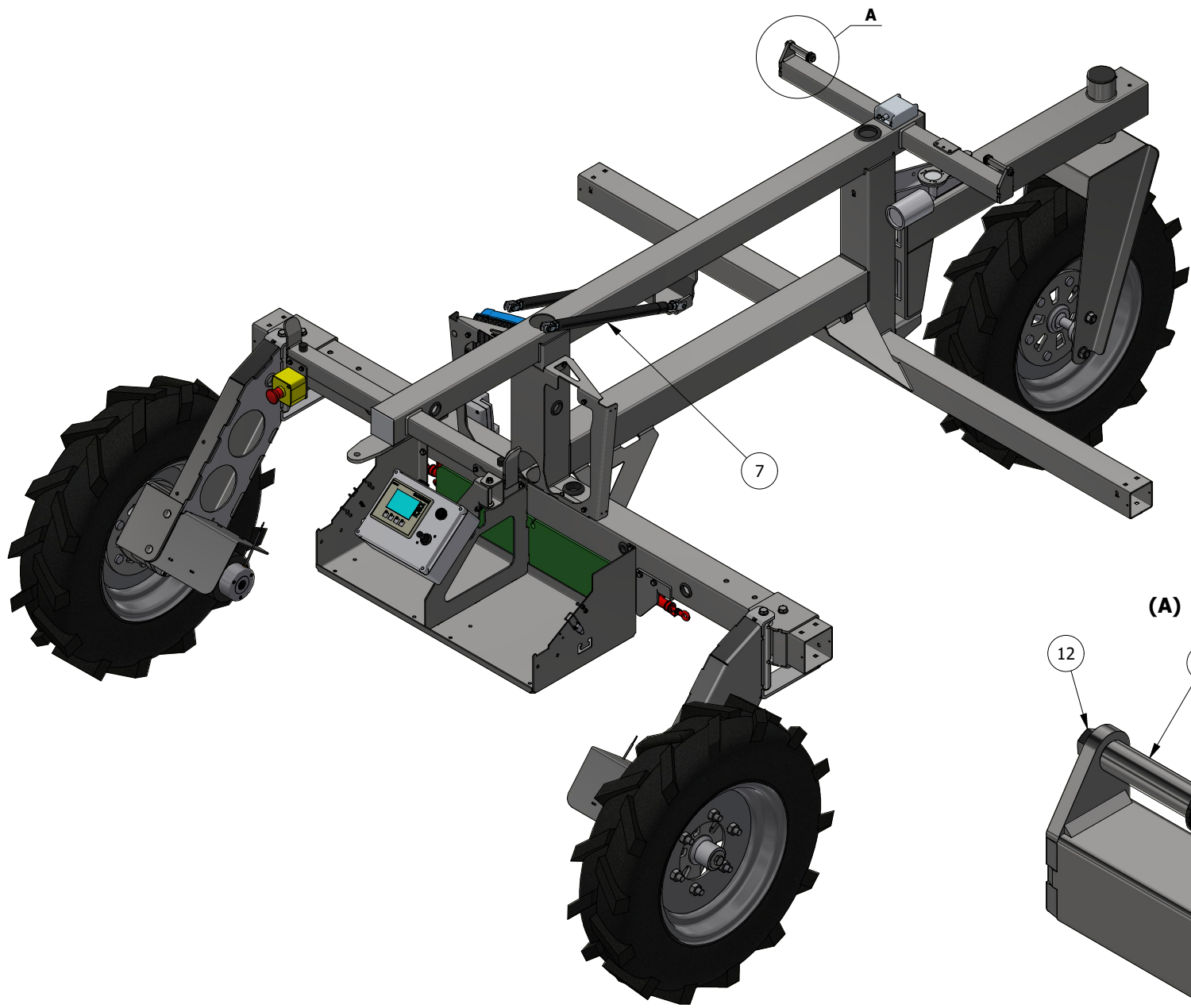
PARTS LIST				
ITEM	QTY	PART NUMBER	REV. NR.	DESCRIPTION
1	1	101012252	R02	TILT PIECE FOR SAGETY ARM
2	1	101012169	R00	Safety wire wheel
3	1	101011045	R00	Front safety arm weld assembly
4	1	PVO080-12LM44		TROLLEY WHEEL D80/35/45/12
5	1	125A124		DIN 125A WASHER M12 A2
6	2	125A084		DIN 125A WASHER M8 A2
7	2	125A064		DIN 125A Washer M6 A2
8	1	931060604		DIN 931 HEX HEAD M6X60MM A2
9	1	985V064		DIN 985 LOCK NUT M6 A2
10	1	985V124		DIN 985 LOCK NUT M12 A2
11	1	931120654		DIN 931 HEX HEAD M12X65MM A2
12	1	985V084		DIN 985 LOCK NUT M8 A2
13	1	931080604		DIN 931 HEX HEAD M8X60MM A2

Copyright © 2018 Distribution and duplication of this document as well as use and communication of this content is not permitted, except if expressly authorized by FarmDroid ApS. Offenders will be liable for damages. All rights, including rights created by patent grant or registration of a utility model or design, are reserved to FarmDroid ApS.

Engineer: Ahmad Kliban
 ISO Projection: 
 Part Number: 101011046

FARMDROID
 Description: FRONT SAFETY ARM ASSEMBLY

Scale: 1 : 1 [A3]	Weight: N/A	Rev. Nr.: R01	Date: 03-02-2022	Sheet: 1 / 1
----------------------	----------------	------------------	---------------------	-----------------



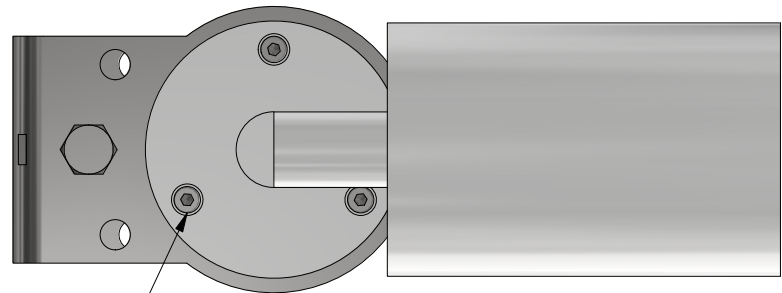
PARTS LIST				DESCRIPTION
ITEM	QTY	PART NUMBER	REV. NR.	
1	1	101011019	R02	MAIN FRAME ASSEMBLY V2.2
2	2	102030043	R00	SHAFT SPACER 16/24/8
3	1	101011065	R00	REOLINK WEBCAM WITH MOUNTING BRACKET
4	2	102012129	R00	SHAFT FOR WEEDING ARM
5	1	6NH9860-1AA00	R00	ANT794-4MR MOBILE WIRELESS ANTENNA 2G/3G/4G EU, GSM/UMTS/ LTE EU NETWORKS, 5M CABLE
6	2	00276-01	R00	PIKSI MULTI ANTENNA PACK
7	2	14-28-350-846-700N	R00	GAS SPRING COMPLETE 700N
8	1	101011024	R00	SOLAR PANEL TOP ASSEMBLY
9	6	6923S044		DIN 6923S FLANGE NUT M4 A2
10	6	912040204		DIN 912 HEX HEAD M4X20MM A2
11	2	090219200084000		WASHER M8 8,4X24X2
12	2	6923S084		DIN 6923S FLANGE NUT M8 A2
13	2	931080904		DIN 931 HEX HEAD M8X90MM A2

Copyright © 2018 Distribution and duplication of this document as well as use and communication of this content is not permitted, except if expressly authorized by FarmDroid ApS. Offenders will be liable for damages. All rights, including rights created by patent grant or registration of a utility model or design, are reserved to FarmDroid ApS.

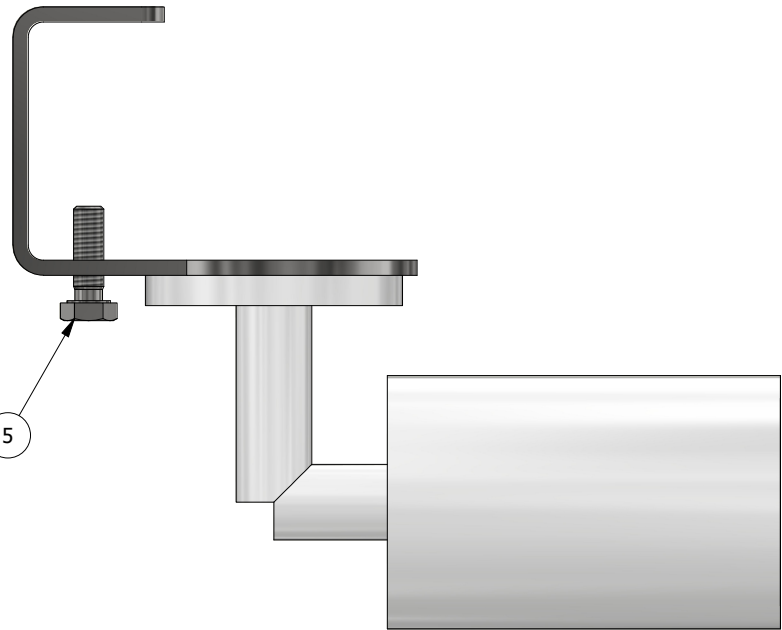
Engineer: Ahmad Kliban ISO Projection: Part Number: 101011048

FARMDROID Description: ROLLING CHASSIS WITH SOLAR PANELS

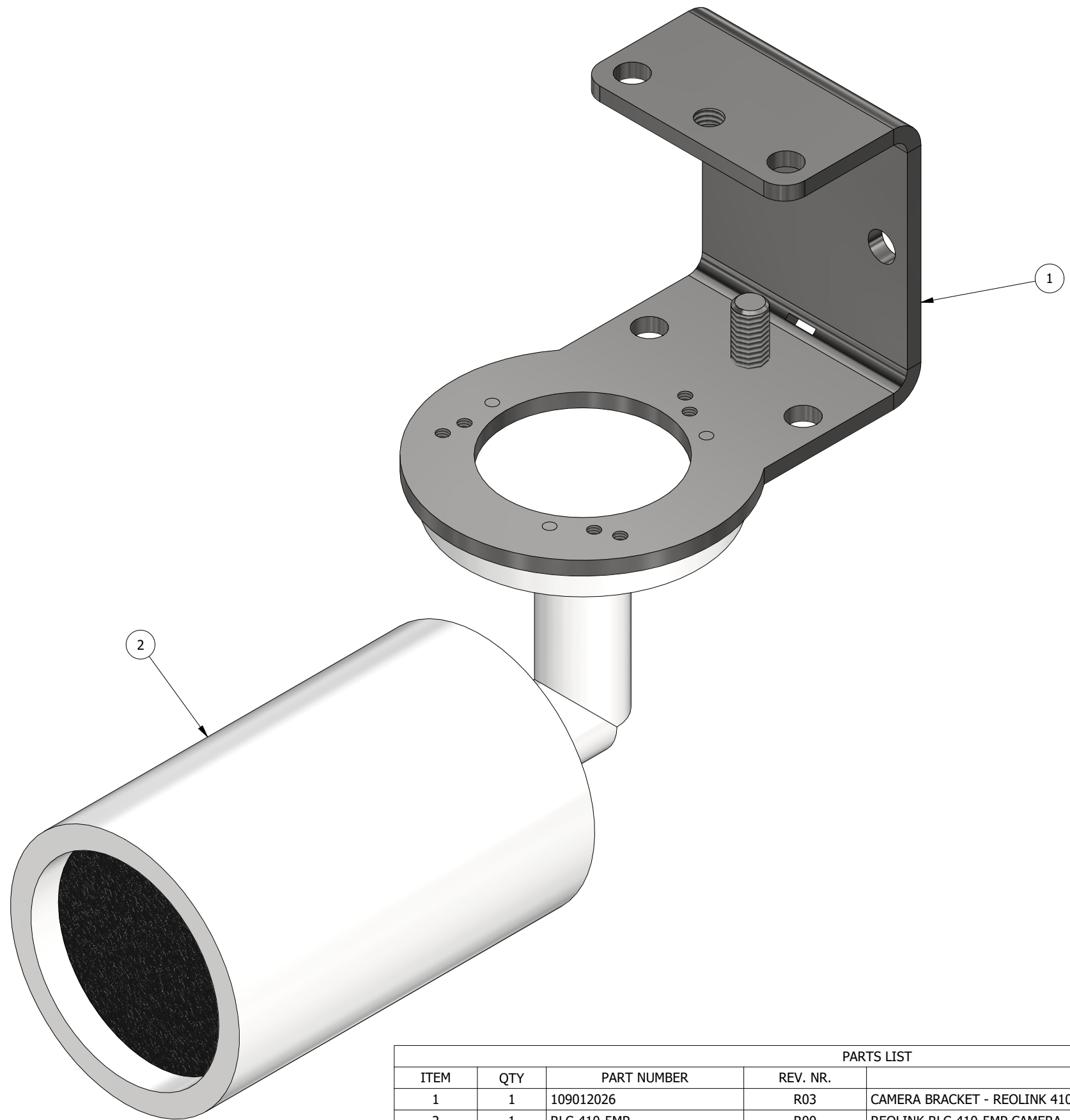
Scale: 1 : 20 [A3] Weight: N/A Rev. Nr.: R00 Date: 27-01-2022 Sheet: 1 / 1



3



5



1

2

PARTS LIST				
ITEM	QTY	PART NUMBER	REV. NR.	DESCRIPTION
1	1	109012026	R03	CAMERA BRACKET - REOLINK 410
2	1	RLC-410-5MP	R00	REOLINK RLC-410-5MP CAMERA
3	3	912040064		DIN 912 HEX HEAD M4X6MM A2
5	1	933080254		DIN 933 HEX HEAD M8X25MM A2

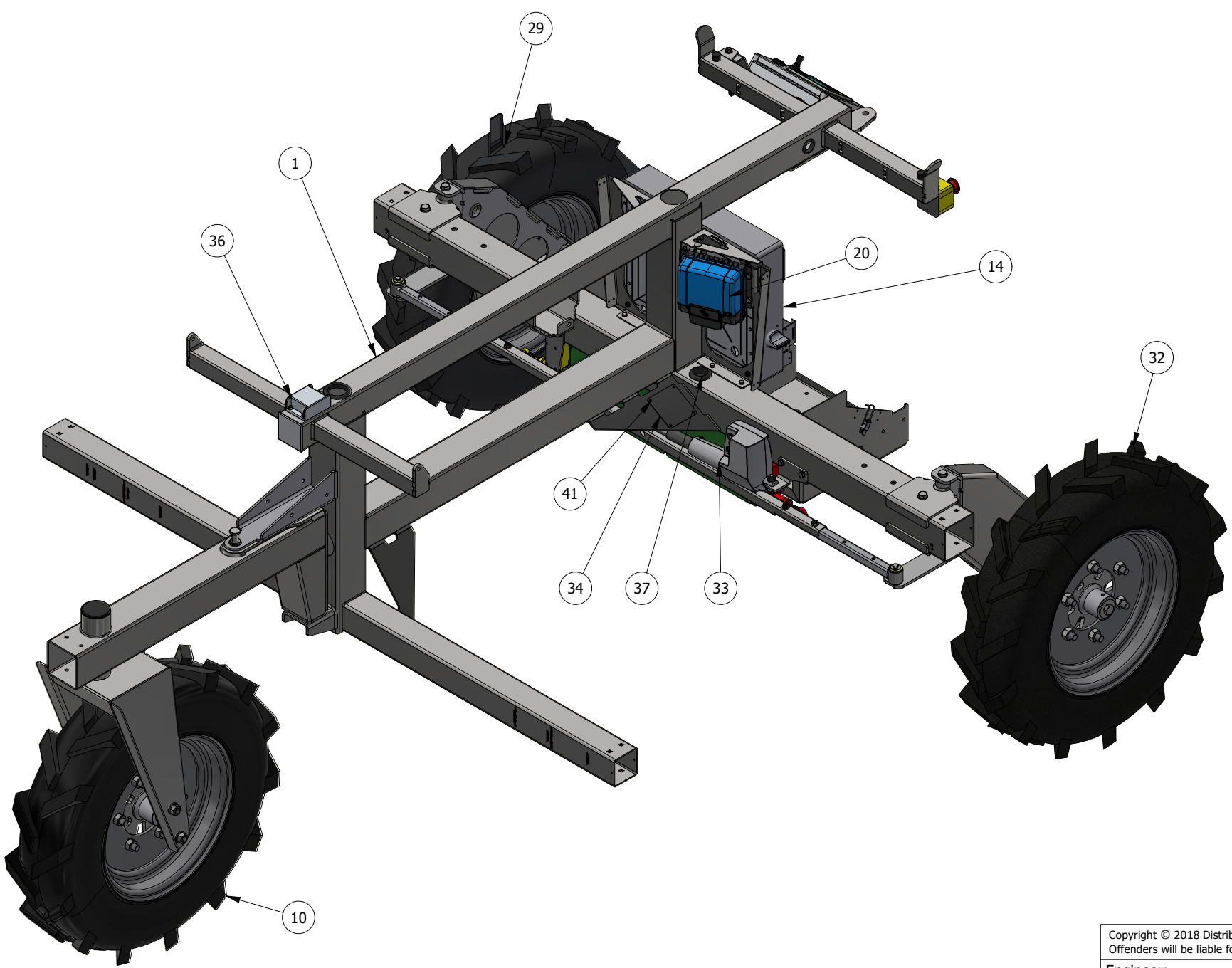
Copyright © 2018 Distribution and duplication of this document as well as use and communication of this content is not permitted, except if expressly authorized by FarmDroid ApS. Offenders will be liable for damages. All rights, including rights created by patent grant or registration of a utility model or design, are reserved to FarmDroid ApS.

Engineer: Ahmad Kliban	ISO Projection: 	Part Number: 101011065
Description: REOLINK WEBCAM WITH MOUNTING BRACKET		
Scale: 1 : 2 [A3]	Weight: N/A	Rev. Nr.: R00
Date: 03-02-2022	Sheet: 1 / 1	



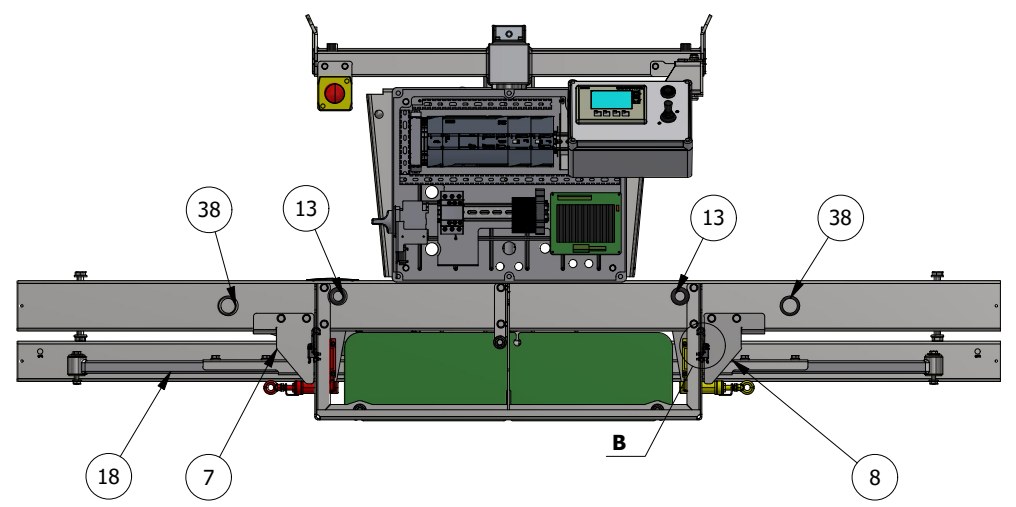
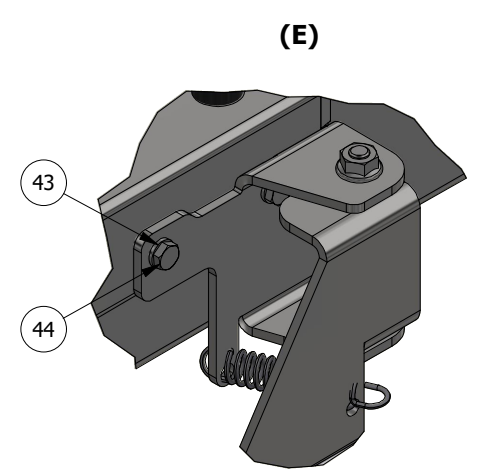
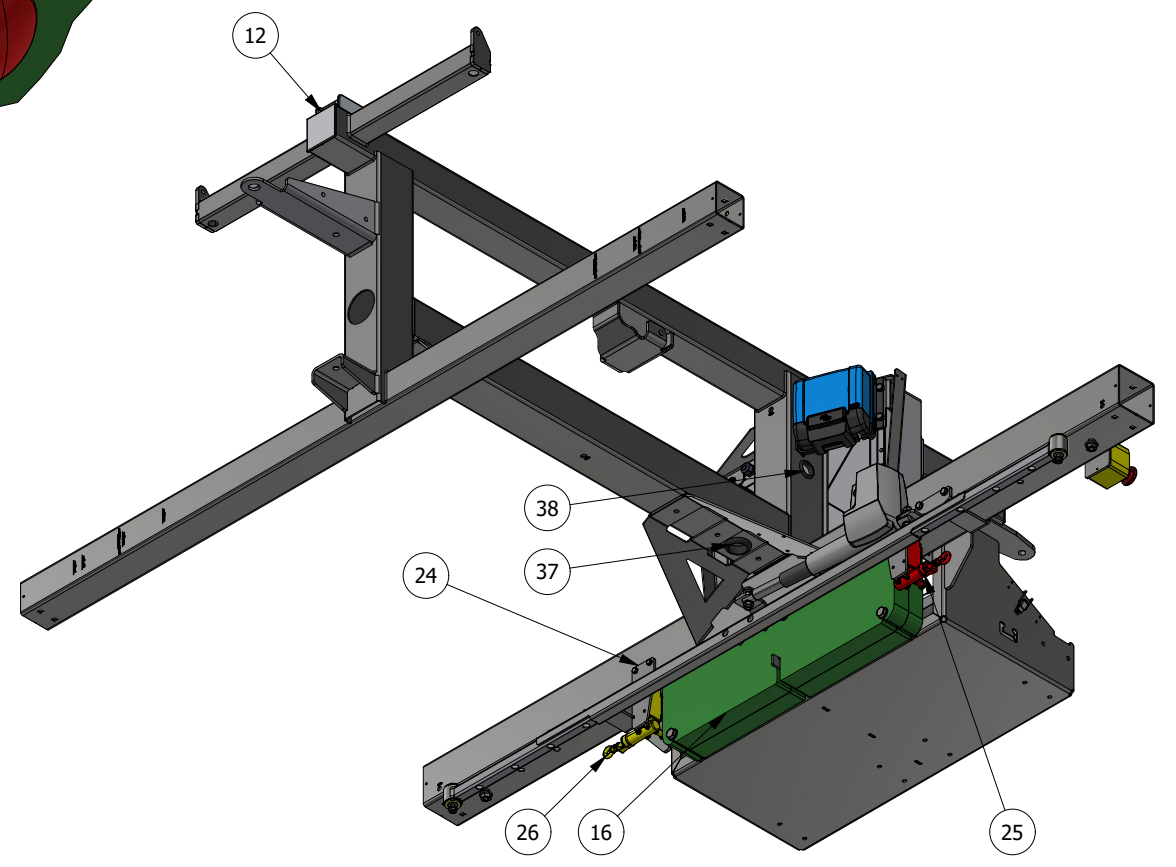
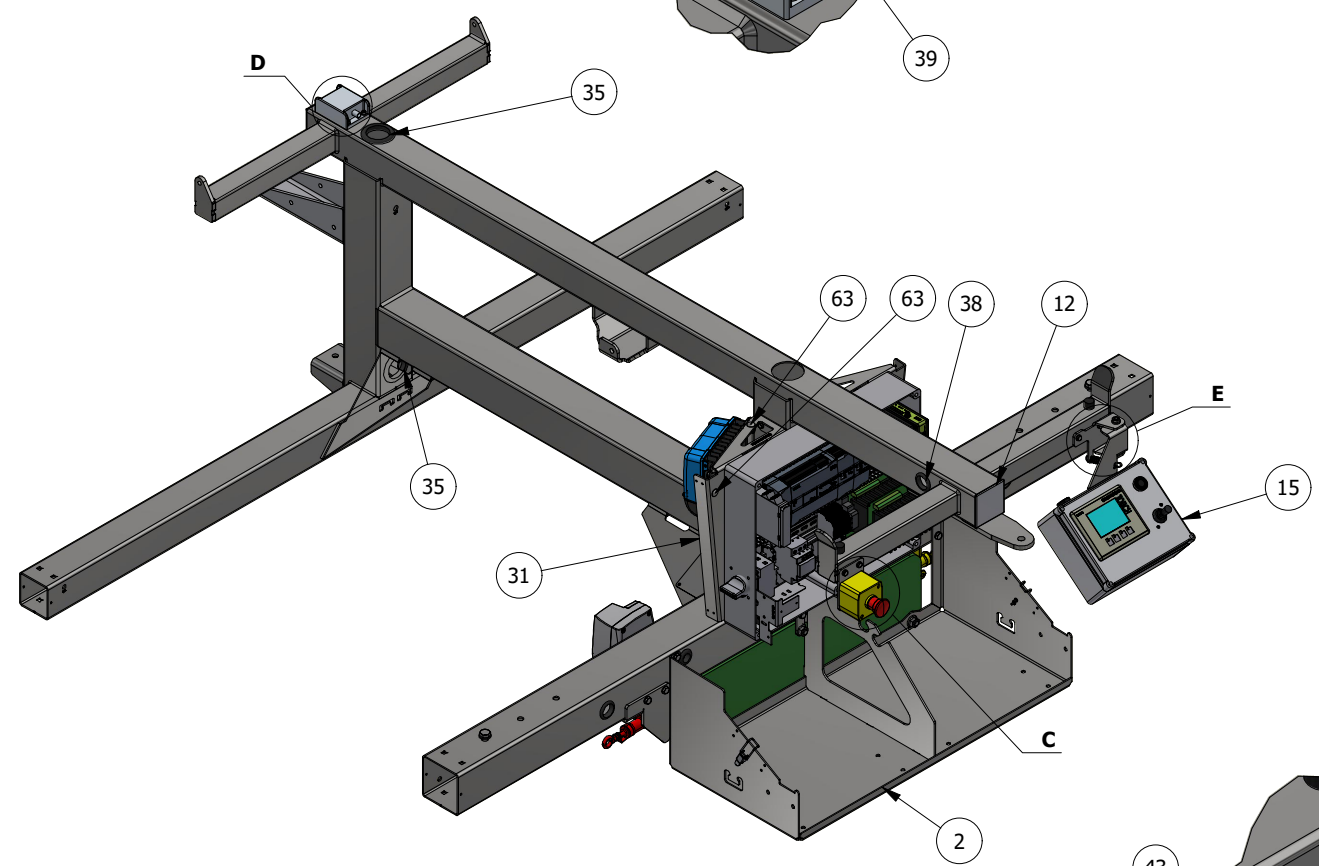
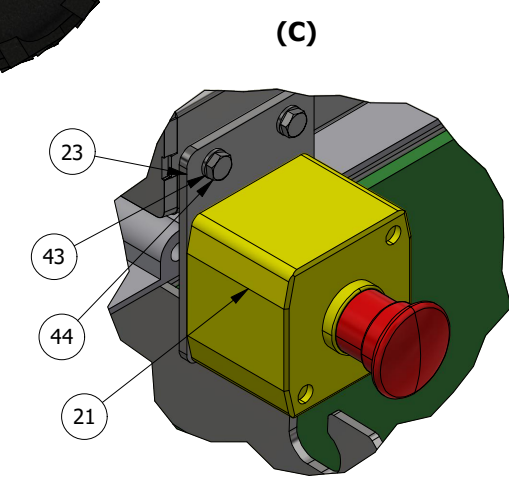
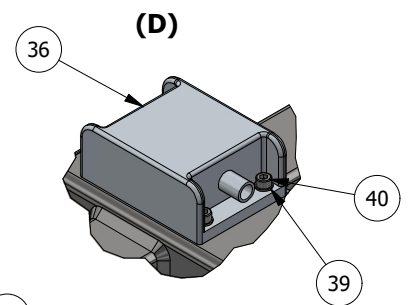
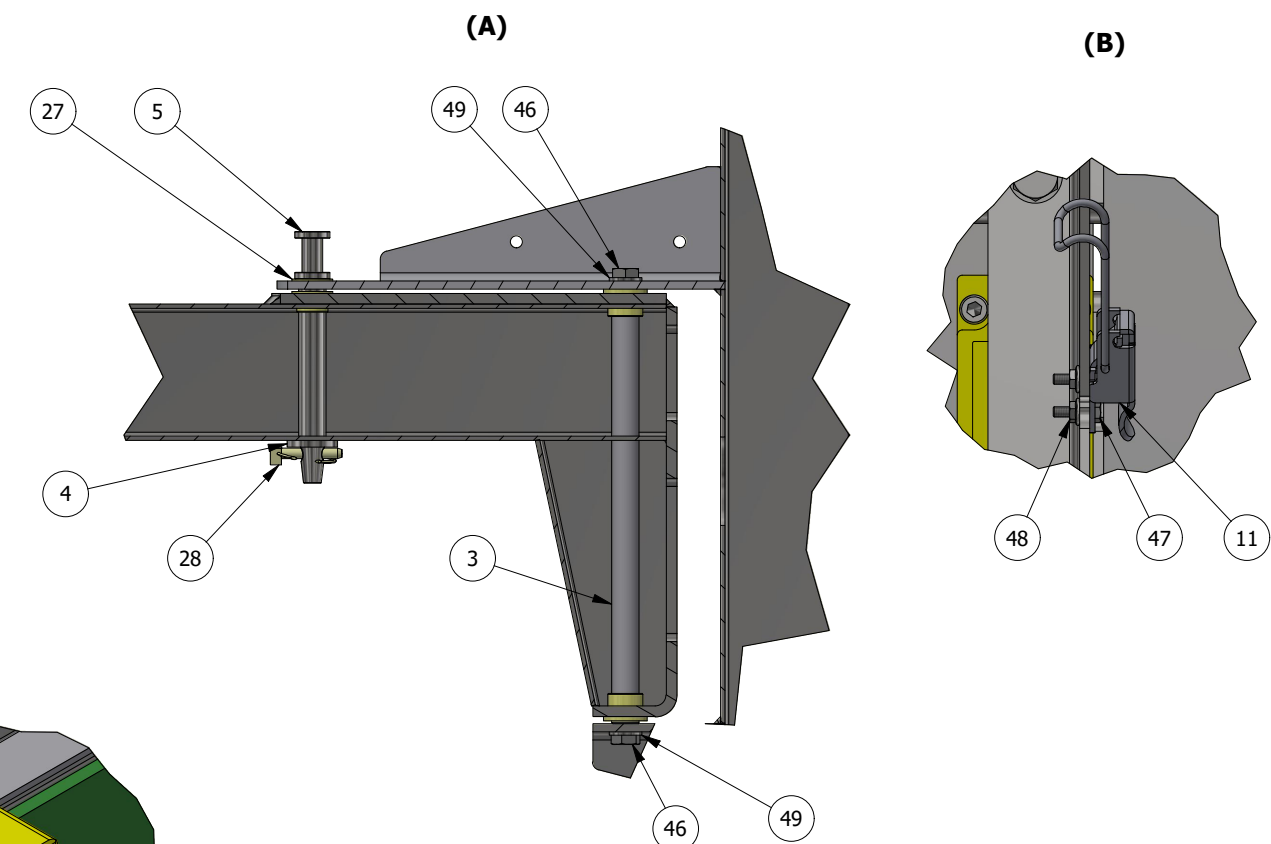
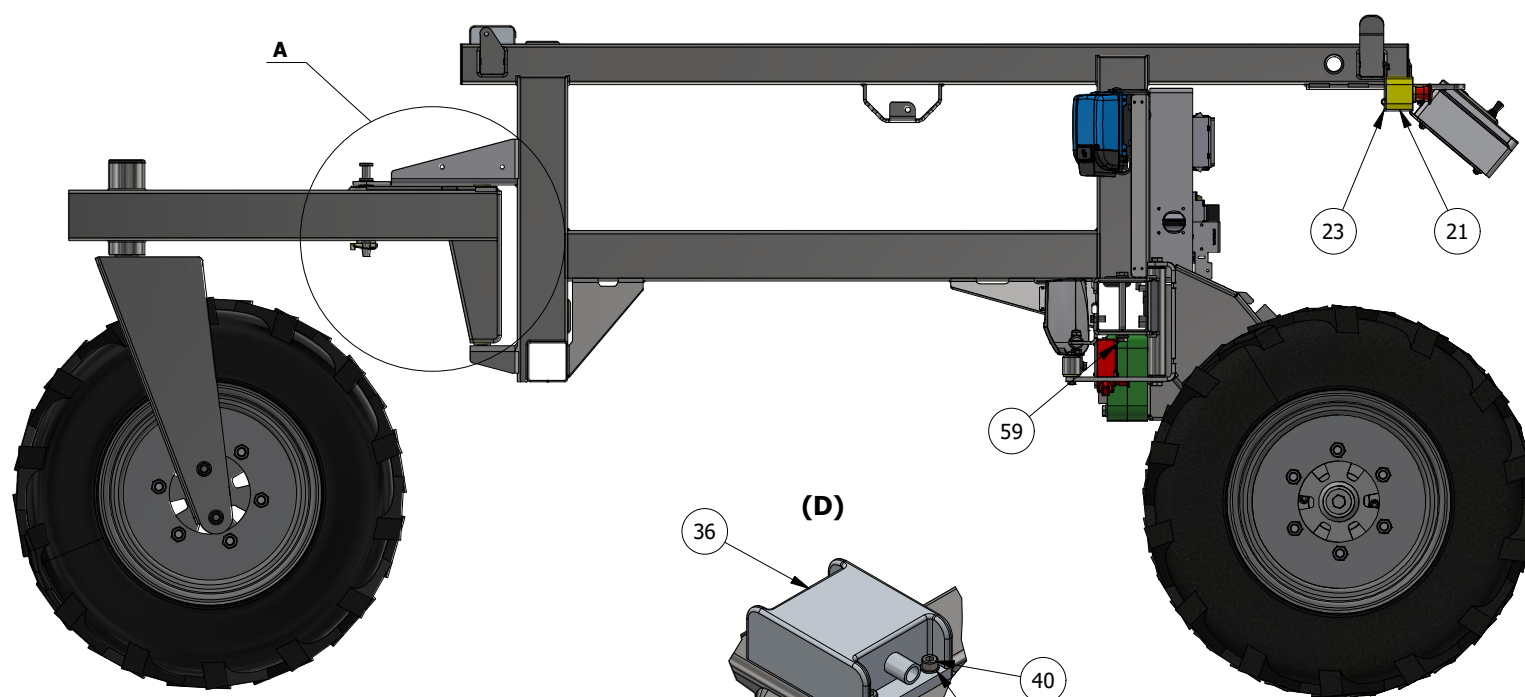
PARTS LIST				
ITEM	QTY	PART NUMBER	REV. NR.	DESCRIPTION
1	1	101011017	R08	MAIN FRAME WELD ASSEMBLY
2	1	101011032	R04	BATTERY SHELF WELD ASSEMBLY
3	1	101012192	R01	SHAFT FOR FRONT WHEEL SUPPORT
4	1	101012262	R01	BUSHING FOR LOCKING PIN
5	1	101012229	R01	FRONT WHEEL SUPPORT LOCKING PIN
6	2	101012220	R01	BRACKET FOR STEERING ACTUATOR
7	1	101012221	R01	BRACKET FOR LIFT SUPPORT LEFT
8	1	101012222	R01	BRACKET FOR LIFT SUPPORT RIGHT
9	1	101012213	R01	CENTER POST FOR STEERING
10	1	101011034	R01	FRONT WHEEL ASSEMBLY

PARTS LIST				
ITEM	QTY	PART NUMBER	REV. NR.	DESCRIPTION
11	2	20-522SS	R00	Spring claw toggle latch
12	2	DPE 80 30 40 01	R00	DUPSKO 80X80X3
13	2	0252 0078 010	R00	GROMMETS DA 200/280/30
14	1	101011036	R00	ELECTRICAL BOX ASSEMBLY
15	1	101011035	R00	HMI BOX ASSEMBLY
16	2	101012257	R00	STANDARD WEIGHT PIECE 35KG
17	2	101012245	R00	SHAFT FOR OUTER STEERING POST
18	2	101011040	R00	OUTER POST FOR STEERING WELD ASSEMBLY
19	2	VD-D11-A2	R00	VIBRATION DAMPENER, D20x15MM
20	1	VESCC110050210	R00	CHARGE CONTROLLER SMART SOLAR MPPT 100/50
21	1	XALK178	R00	EMERGENCY PUSH BUTTON
22	4	JFM_2026_20_1	R00	STEP AP214
23	1	101012226	R00	BRACKET FOR EMERGENCY PUSH BUTTON
24	2	101012167	R00	BRACKET FOR WIRE ROBE EMERGENCY SWITCH
25	1	XY2CJR17H29	R00	WIRE ROPE EMERGENCY PULL SWITCH, RIGHT
26	1	XY2CJL17H29	R00	WIRE ROPE EMERGENCY PULL SWITCH, LEFT
27	1	JFM-2023-07	R00	SLEEVE BEARING WITH FLANGE JFM-2023-07
28	1	ÅBO 7170	R00	LINCH PIN 8MM A2
29	1	101011044	R00	BACK WHEEL ASSEMBLY R
30	1	101012284	R00	PV CHARGER BRACKET
31	1	101012278	R00	BRACKET FOR ELECTRICAL BOX
32	1	101011043	R00	BACK WHEEL ASSEMBLY L
33	1	3521A0+2A150B24-1	R00	LINEAR ACTUATOR, 150MM STROKE, 1,5M CABLE WITH CONNECTOR
34	1	CETYPESIGN	R00	
35	2	0252 0336 010	R00	GROMMETS DA 480/600/30
36	1	1115732	R00	INCLINATION SENSOR TMM88A-PKC090S05
37	3	0252 0377 010	R00	GROMMETS DA 380/440/30
38	6	0252 0333 010	R00	GROMMETS DA 300/350/30
39	4	125A054		DIN 125A WASHER M5 A2
40	4	912050164		DIN 912 HEX HEAD M5X16MM A2
41	4	ÅPO R 4,0 x 10		POPNIITTE 4X10MM A2/A2
42	12	6923S084		DIN 6923S FLANGE NUT M8 A2
43	20	125A064		DIN 125A Washer M6 A2
44	20	933060164		DIN 933 HEX HEAD M6X16MM A2
45	2	931080604		DIN 931 HEX HEAD M8X60MM A2
46	2	933120254		DIN 933 HEX HEAD M12X25MM A2
47	4	933030124		DIN 933 HEX HEAD M3X12MM A2
48	4	6923S034		DIN 6923S FLANGE NUT M3 A2
49	7	125A124		DIN 125A WASHER M12 A2
50	16	125A084		DIN 125A WASHER M8 A2
51	2	912080164		DIN 912 HEX HEAD M8X16MM A2
52	4	912080124		HEX HEAD DIN 91208X12 A2
53	3	DIN 933 - M12 x 100		Hex-Head Bolt
54	2	090219200084000		WASHER M8 8,4X24X2
55	2	931121304		DIN 931 HEX HEAD BOLT M12X130MM A2
56	4	125A104		DIN 125A WASHER M10 A2
57	2	985V104		DIN 985 LOCK NUT M10 A2
58	2	931100554-1		DIN 931 HEX HEAD BOLT M10X42MM A2, AFKORTET
59	8	912050404		DIN 912 HEX HEAD M5X40MM A2
60	12	933080204		DIN 933 HEX HEAD M8X20 A2
61	4	933080164		DIN 933 Hex Head M8x16mm A2
62	6	6923S064		DIN 6923S Flange Nut M6 A2
63	2	DIN 603 - M6 x 16		Cup Head Square Neck Bolt
64	5	6923S124		DIN 6923S FLANGE NUT M12 A2

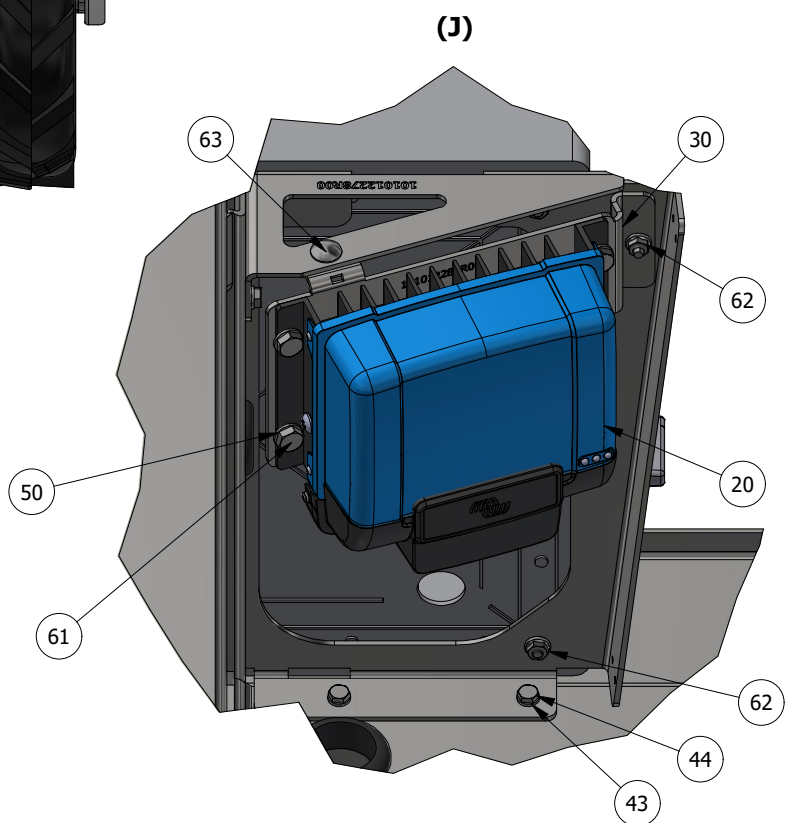
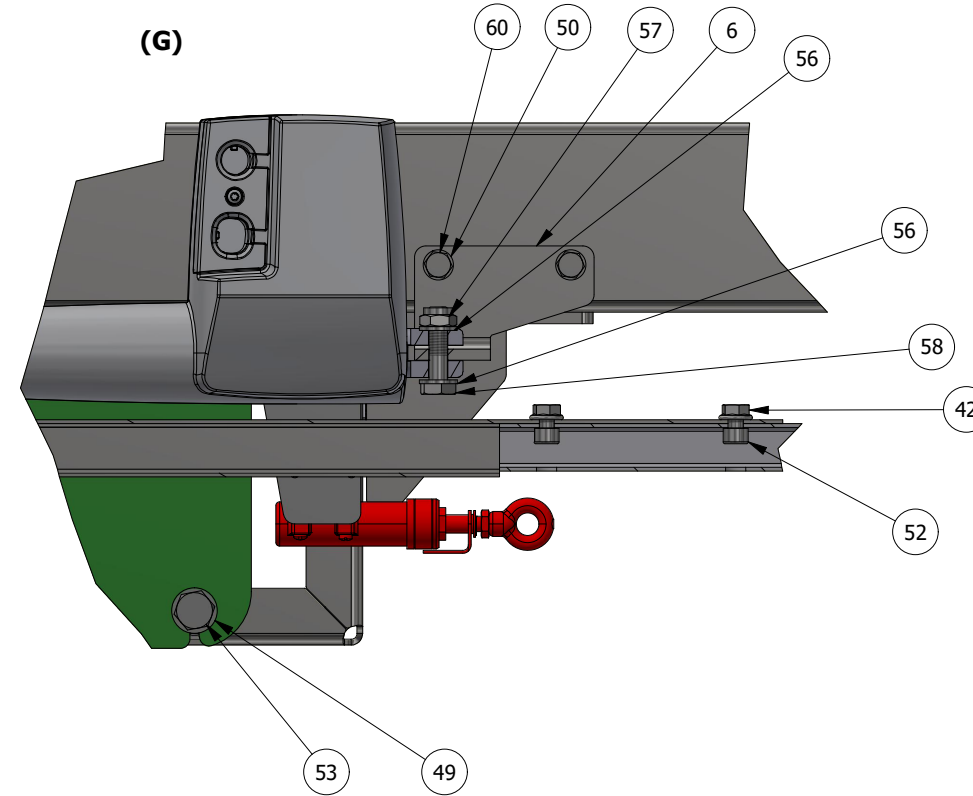
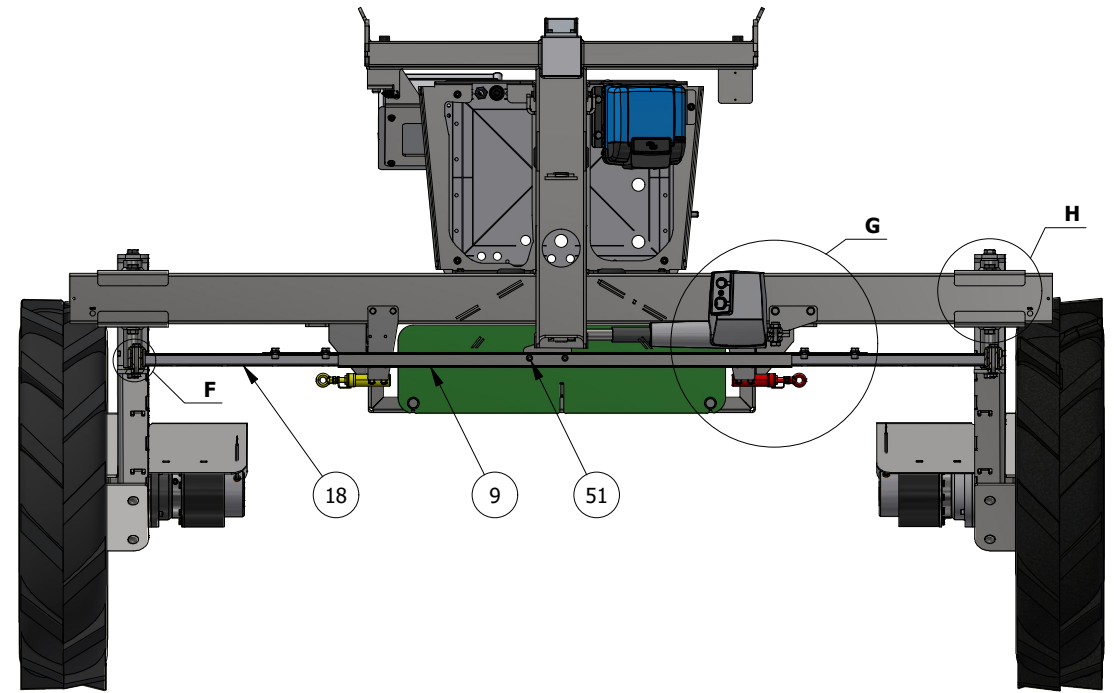
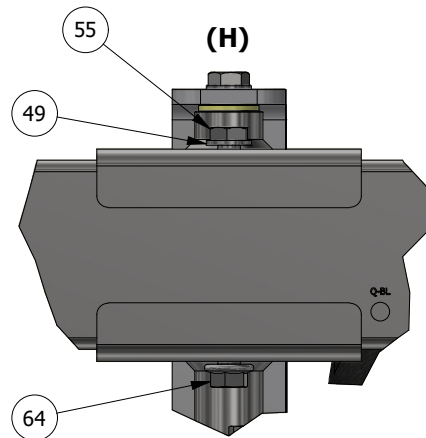
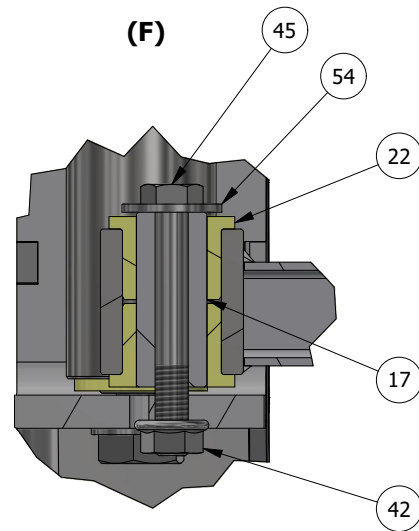
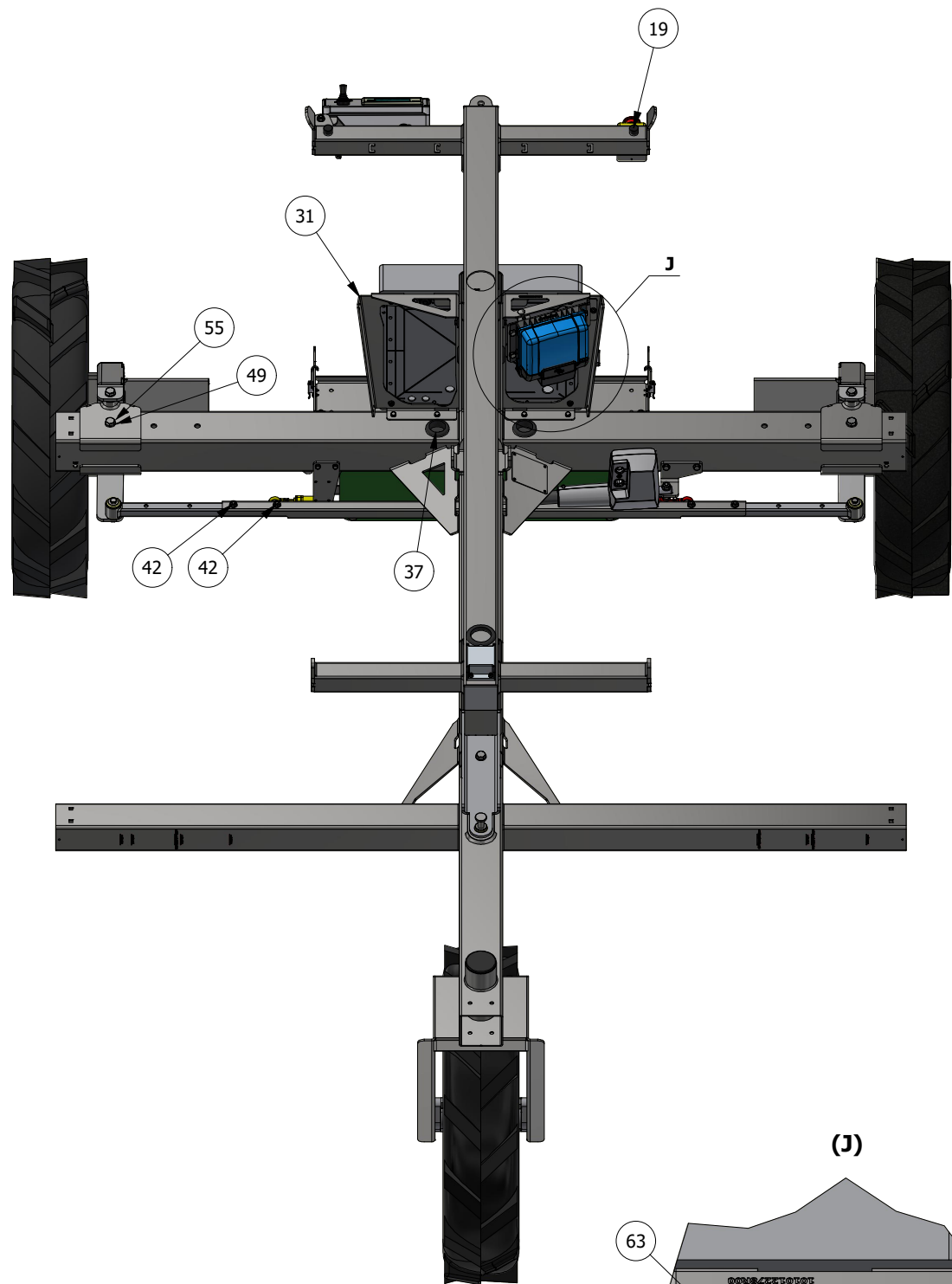


Copyright © 2018 Distribution and duplication of this document as well as use and communication of this content is not permitted, except if expressly authorized by FarmDroid ApS. Offenders will be liable for damages. All rights, including rights created by patent grant or registration of a utility model or design, are reserved to FarmDroid ApS.

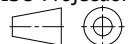
Engineer: Ahmad Kliban	ISO Projection: 	Part Number: 101011019			
		Description: MAIN FRAME ASSEMBLY V2.2	Scale: 1 : 13 [A3]	Weight: N/A	Rev. Nr.: R02
		Date: 27-01-2022	Sheet: 1 / 3		



Copyright © 2018 Distribution and duplication of this document as well as use and communication of this content is not permitted, except if expressly authorized by FarmDroid ApS. Offenders will be liable for damages. All rights, including rights created by patent grant or registration of a utility model or design, are reserved to FarmDroid ApS.					
Engineer: Ahmad Kliban	ISO Projection: 	Part Number: 101011019			
FARMDROID		Description: MAIN FRAME ASSEMBLY V2.2	Scale: 1 : 15 [A3]	Weight: N/A	Rev. Nr.: R02
		Date: 27-01-2022	Sheet: 2 / 3		



Copyright © 2018 Distribution and duplication of this document as well as use and communication of this content is not permitted, except if expressly authorized by FarmDroid ApS. Offenders will be liable for damages. All rights, including rights created by patent grant or registration of a utility model or design, are reserved to FarmDroid ApS.

Engineer: Ahmad Kliban
 ISO Projection: 
 Part Number: 101011019

FARMDROID

Description:
 MAIN FRAME ASSEMBLY V2.2

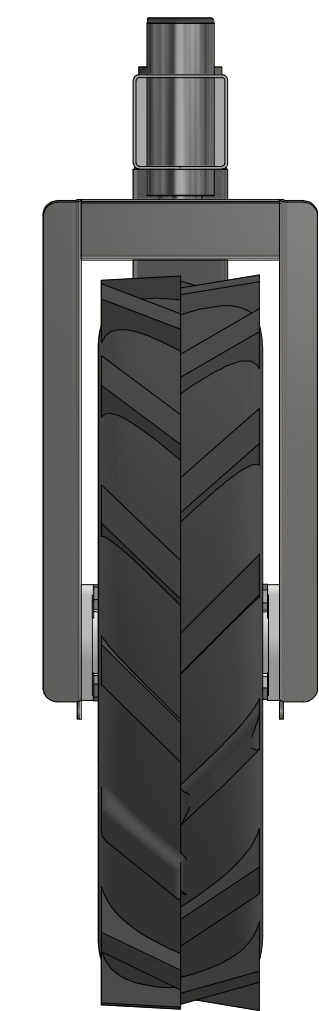
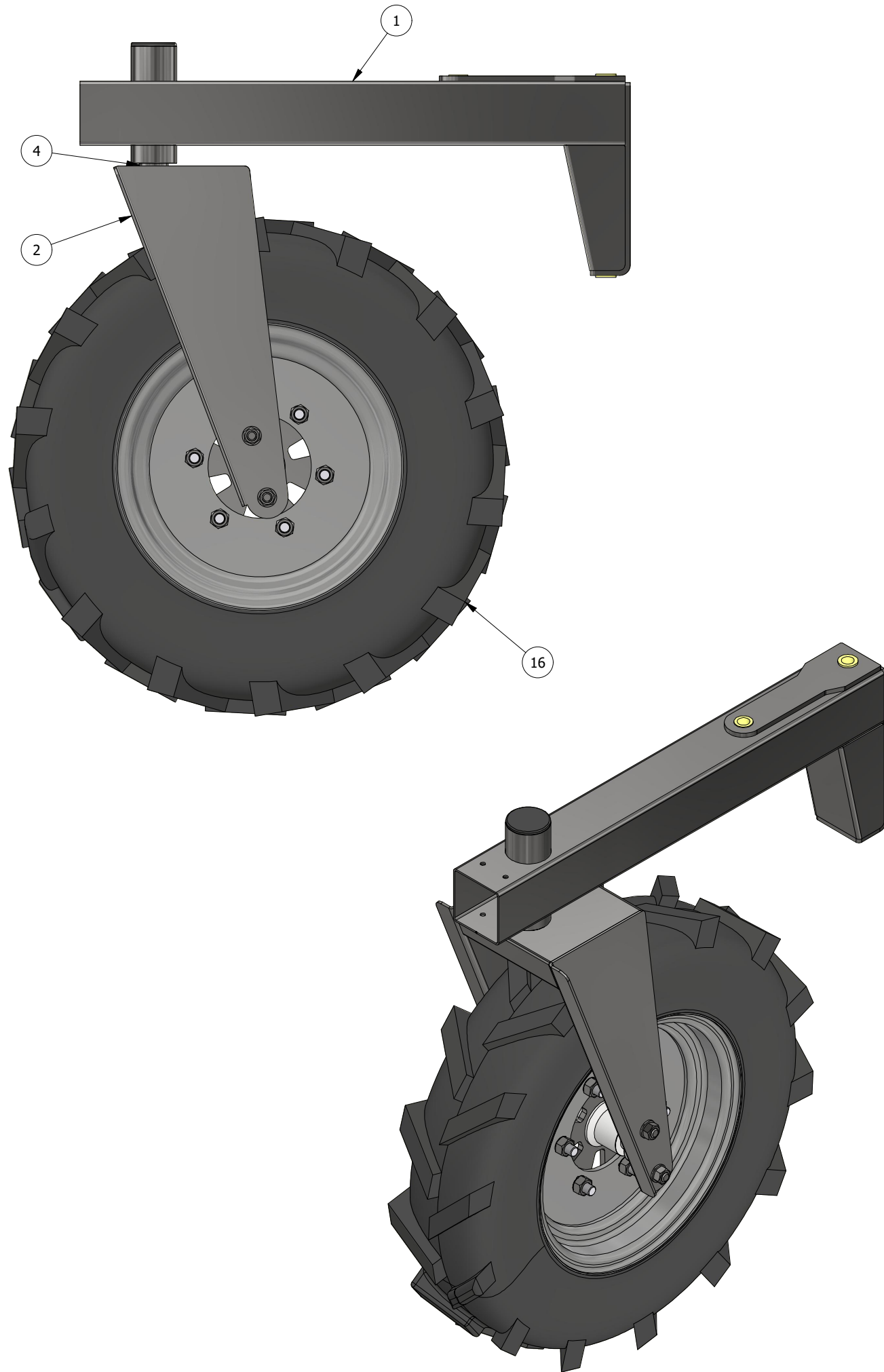
Scale:
 1 : 15 [A3]

Weight:
 N/A

Rev. Nr.:
 R02

Date:
 27-01-2022

Sheet:
 3 / 3

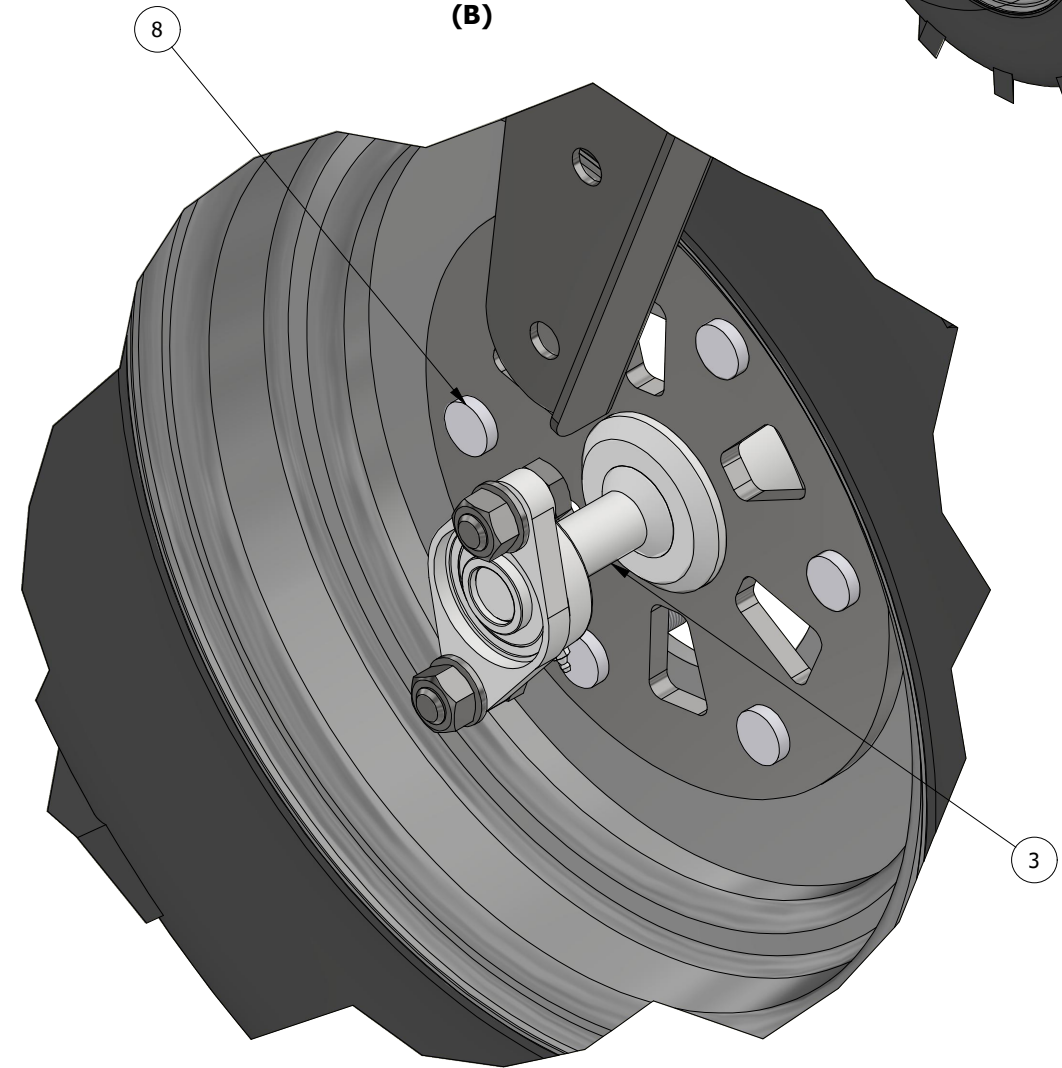
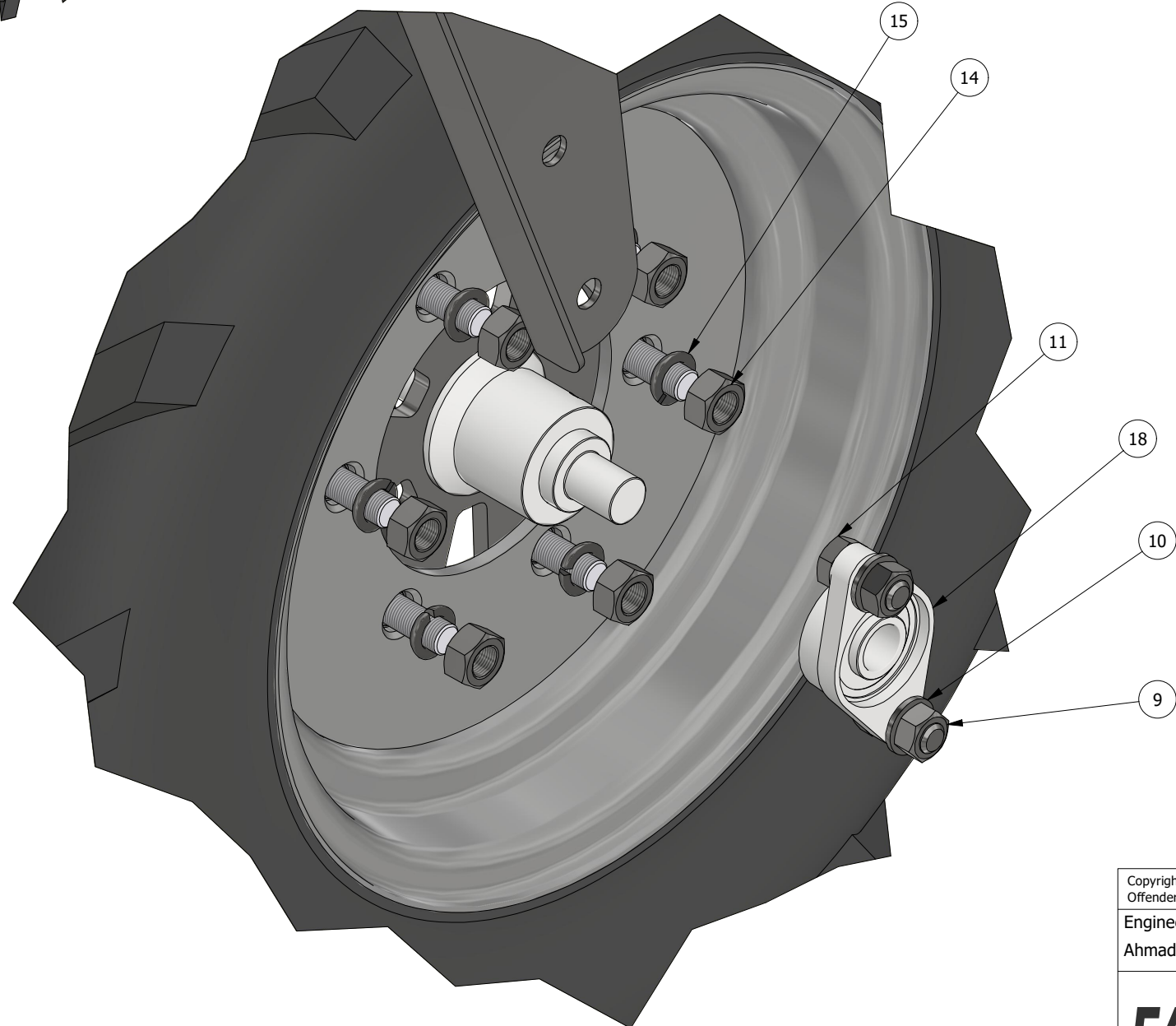
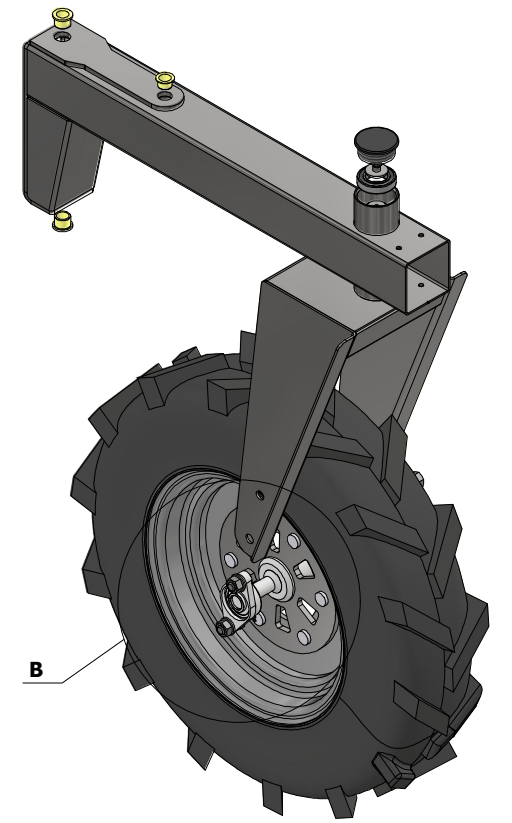
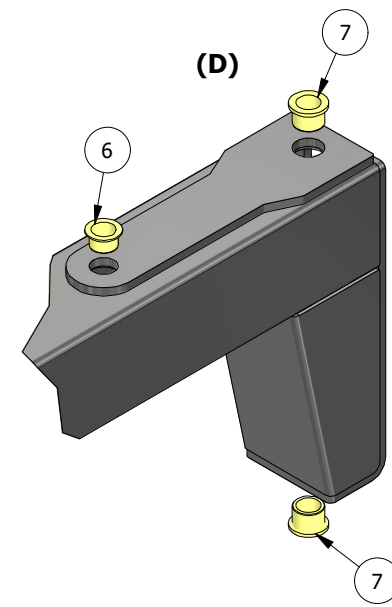
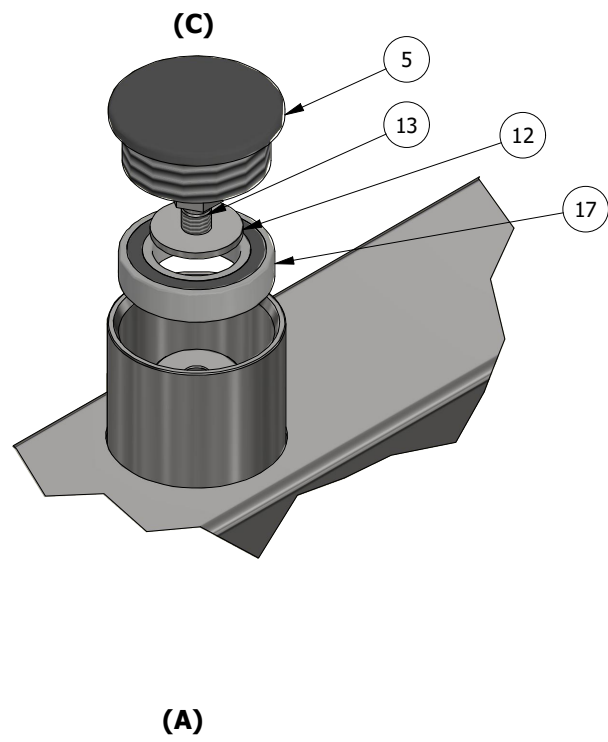
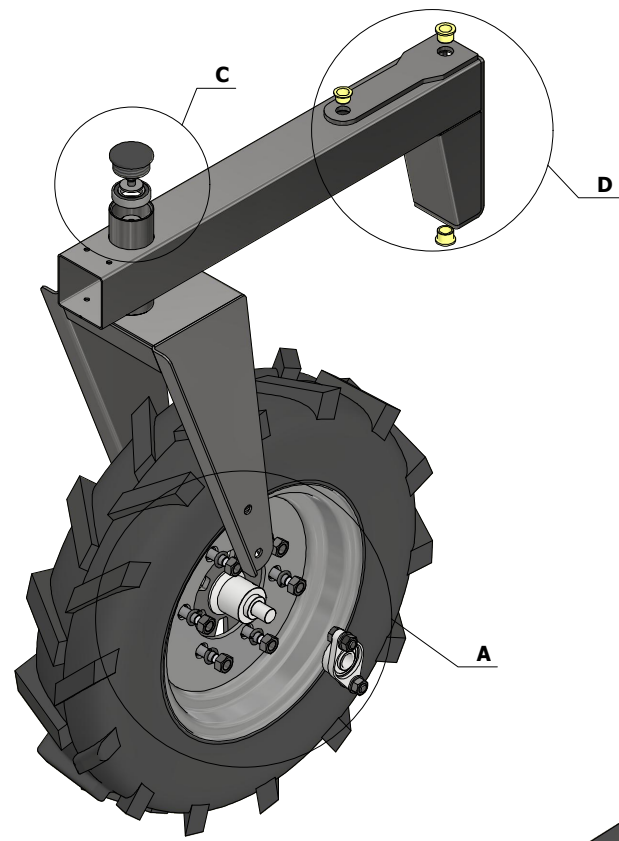


PARTS LIST				
ITEM	QTY	PART NUMBER	REV. NR.	DESCRIPTION
1	1	101011018	R04	FRONT WHEEL SUPPORT WELD ASSEMBLY
2	1	101011022	R03	FRONT WHEEL FORK WELD ASSEMBLY
3	1	101012190	R02	SHAFT FOR FRONT WHEEL
4	1	101012191	R02	DISTANCE RING FOR FRONT FORK
5	1	DPD 70 01	R00	Dupskø Ø70
6	1	JFM-2023-1550	R00	Sleeve bearing with flange
7	2	JFM-2026-20	R00	SLEEVE BEARING WITH FLANGE, D1 20MM, D2 26MM, H 20MM
8	1	101011047	R00	WHEEL HUB ASSEMBLY D40MM
9	4	934V164		DIN 934 NUT M16 A2
10	4	125A164		DIN 125A WASHER M16 A2
11	4	933160354		DIN 933 HEX HEAD M16X35MM A2
12	1	9021124		DIN 9021 Washer D13x37x3mm
13	1	933120254		DIN 933 HEX HEAD M12X25MM A2
14	6	934		WHEEL NUT FZB M18X1,5
15	6	ØDI H 7459B		KONISK FJEDERSKIVE M18
16	1	ØDI H 588 VENSTRE		WHEEL 6,5X16 91A6 6PR WITH RIM 6/161/205
17	2	SS6007-2RS		BALL BEARING SS 6007-2RS A2
18	2	SUCFL205S		FLANGE BEARING 25MM

Copyright © 2018 Distribution and duplication of this document as well as use and communication of this content is not permitted, except if expressly authorized by FarmDroid ApS. Offenders will be liable for damages. All rights, including rights created by patent grant or registration of a utility model or design, are reserved to FarmDroid ApS.

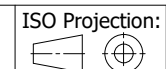
Engineer: Ahmad Kliban	ISO Projection: 	Part Number: 101011034
Description: FRONT WHEEL ASSEMBLY		
Scale: 1 : 8 [A3]	Weight: 42,95 kg	Rev. Nr.: R01
Date: 01-02-2022	Sheet: 1 / 2	





Copyright © 2018 Distribution and duplication of this document as well as use and communication of this content is not permitted, except if expressly authorized by FarmDroid ApS. Offenders will be liable for damages. All rights, including rights created by patent grant or registration of a utility model or design, are reserved to FarmDroid ApS.

Engineer:
Ahmad Kliban



Part Number:
101011034

FARMDROID

Description:
FRONT WHEEL ASSEMBLY

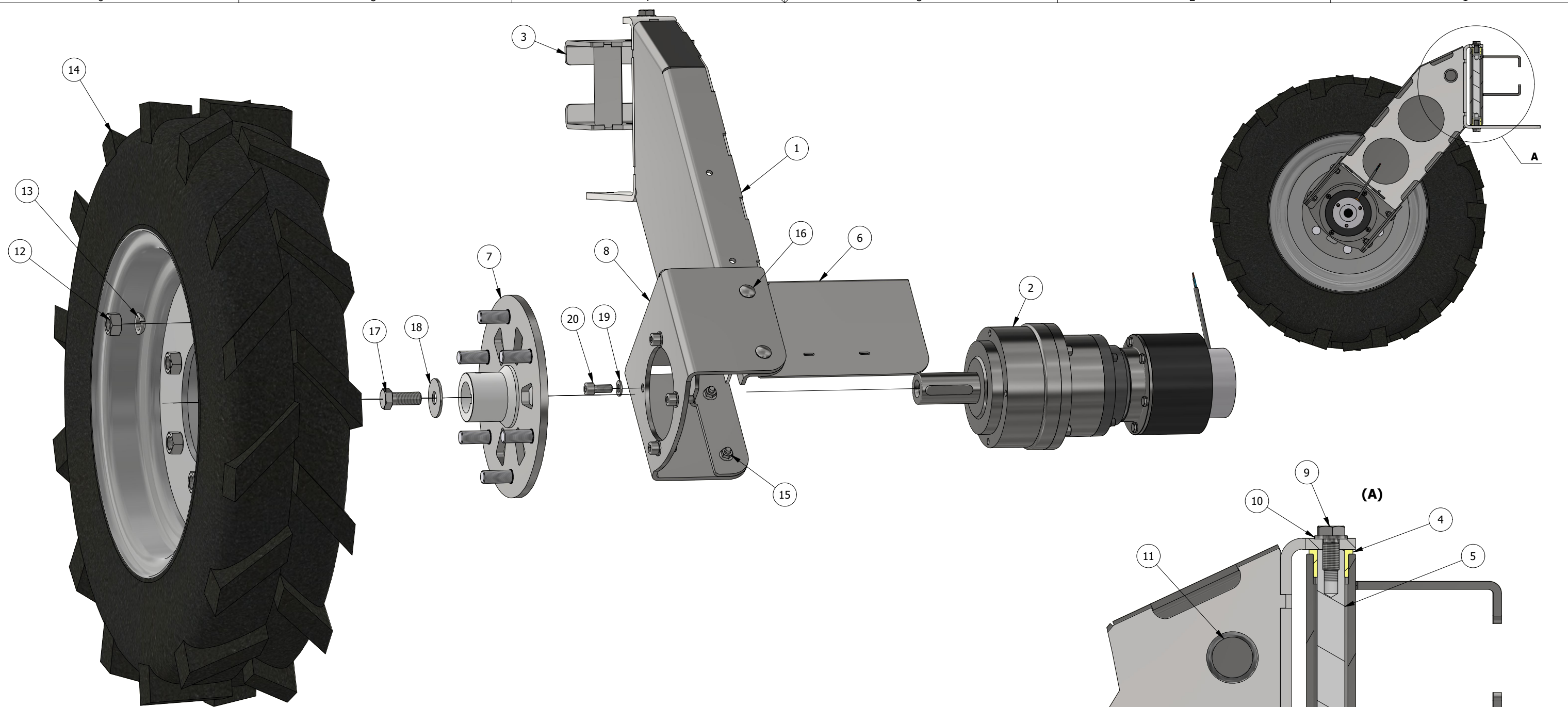
Scale:
1 : 12 [A3]

Weight:
42,95 kg

Rev. Nr.:
R01

Date:
01-02-2022

Sheet:
2 / 2



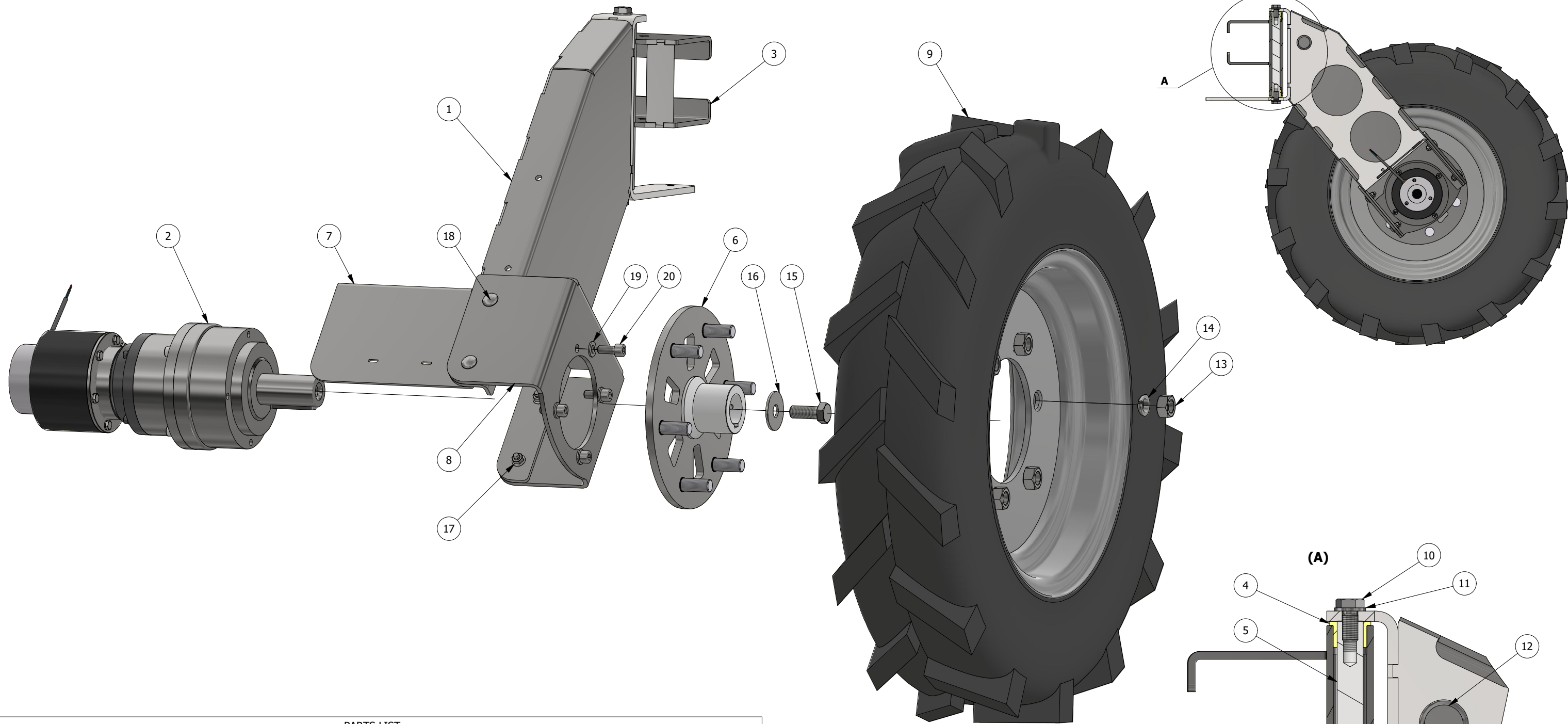
PARTS LIST

ITEM	QTY	PART NUMBER	REV. NR.	DESCRIPTION
1	1	101011026	R05	BACK WHEEL FRAME LEFT WELD ASSEMBLY
2	1	101011042	R02	KOFORD BLDC 400W DRIVE MOTOR + INTORQ + AE155 GEAR Assembly
3	1	101011025	R01	BACK WHEEL ANCHOR BRACKET WELD ASSEMBLY
4	2	JFM-2026-20	R00	SLEEVE BEARING WITH FLANGE, D1 20MM, D2 26MM, H 20MM
5	1	101012212	R00	SHAFT FOR BACK WHEEL FRAME
6	1	101012248	R00	MOTOR COVER (R+L)
7	1	101011047	R00	WHEEL HUB ASSEMBLY D40MM
8	1	101012279	R00	BACK WHEEL GEAR BRACKET EA1552 (L)
9	2	933120254		DIN 933 HEX HEAD M12X25MM A2
10	2	125A124		DIN 125A WASHER M12 A2
11	1	0252 0334 010		GROMMETS DA 300/350/40
12	6	934		WHEEL NUT FZB M18X1,5
13	6	ØDI H 7459B		KONISK FJEDERSKIVE M18
14	1	ØDI H 588 VENSTRE		WHEEL 6,5X16 91A6 6PR WITH RIM 6/161/205
15	4	DIN 6923 - M8 x 1,25		Hex Nut
16	4	DIN 603 - M8 x 25		Cup Head Square Neck Bolt
17	1	933160404		DIN 933 HEX HEAD 16X40 A2
18	1	9021164		WASHER DIN 9021 16x50x3MM A2
19	4	125A104		DIN 125A WASHER M10 A2
20	4	DIN 912 - M10 x 25		Cylinder Head Cap Screw

Copyright © 2018 Distribution and duplication of this document as well as use and communication of this content is not permitted, except if expressly authorized by FarmDroid ApS. Offenders will be liable for damages. All rights, including rights created by patent grant or registration of a utility model or design, are reserved to FarmDroid ApS.

Engineer: Ahmad Kliban	ISO Projection: 	Part Number: 101011043
Description: BACK WHEEL ASSEMBLY L		
Scale: 1 : 5 [A3]	Weight: N/A	Rev. Nr.: R00
Date: 02-02-2022	Sheet: 1 / 1	

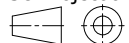




PARTS LIST

ITEM	QTY	PART NUMBER	REV. NR.	DESCRIPTION
1	1	101011030	R05	BACK WHEEL FRAME RIGHT WELD ASSEMBLY
2	1	101011042	R02	KOFORD BLDC 400W DRIVE MOTOR + INTORQ + AE155 GEAR Assembly
3	1	101011025	R01	BACK WHEEL ANCHOR BRACKET WELD ASSEMBLY
4	2	JFM-2026-20	R00	SLEEVE BEARING WITH FLANGE, D1 20MM, D2 26MM, H 20MM
5	1	101012212	R00	SHAFT FOR BACK WHEEL FRAME
6	1	101011047	R00	WHEEL HUB ASSEMBLY D40MM
7	1	101012248	R00	MOTOR COVER (R+L)
8	1	101012280	R00	BACK WHEEL GEAR BRACKET EA1552 (R)
9	1	ØDI H 588 HØJRE		WHEEL 6,5X16 91A6 6PR WITH RIM 6/161/205
10	2	933120254		DIN 933 HEX HEAD M12X25MM A2
11	2	125A124		DIN 125A WASHER M12 A2
12	1	0252 0334 010		GROMMETS DA 300/350/40
13	6	934		WHEEL NUT FZB M18X1,5
14	6	ØDI H 7459B		KONISK FJEDERSKIVE M18
15	1	933160404		DIN 933 HEX HEAD 16X40 A2
16	1	9021164		WASHER DIN 9021 16x50x3MM A2
17	4	DIN 6923 - M8 x 1,25		Hex Nut
18	4	DIN 603 - M8 x 25		Cup Head Square Neck Bolt
19	4	125A104		DIN 125A WASHER M10 A2
20	4	DIN 912 - M10 x 25		Cylinder Head Cap Screw

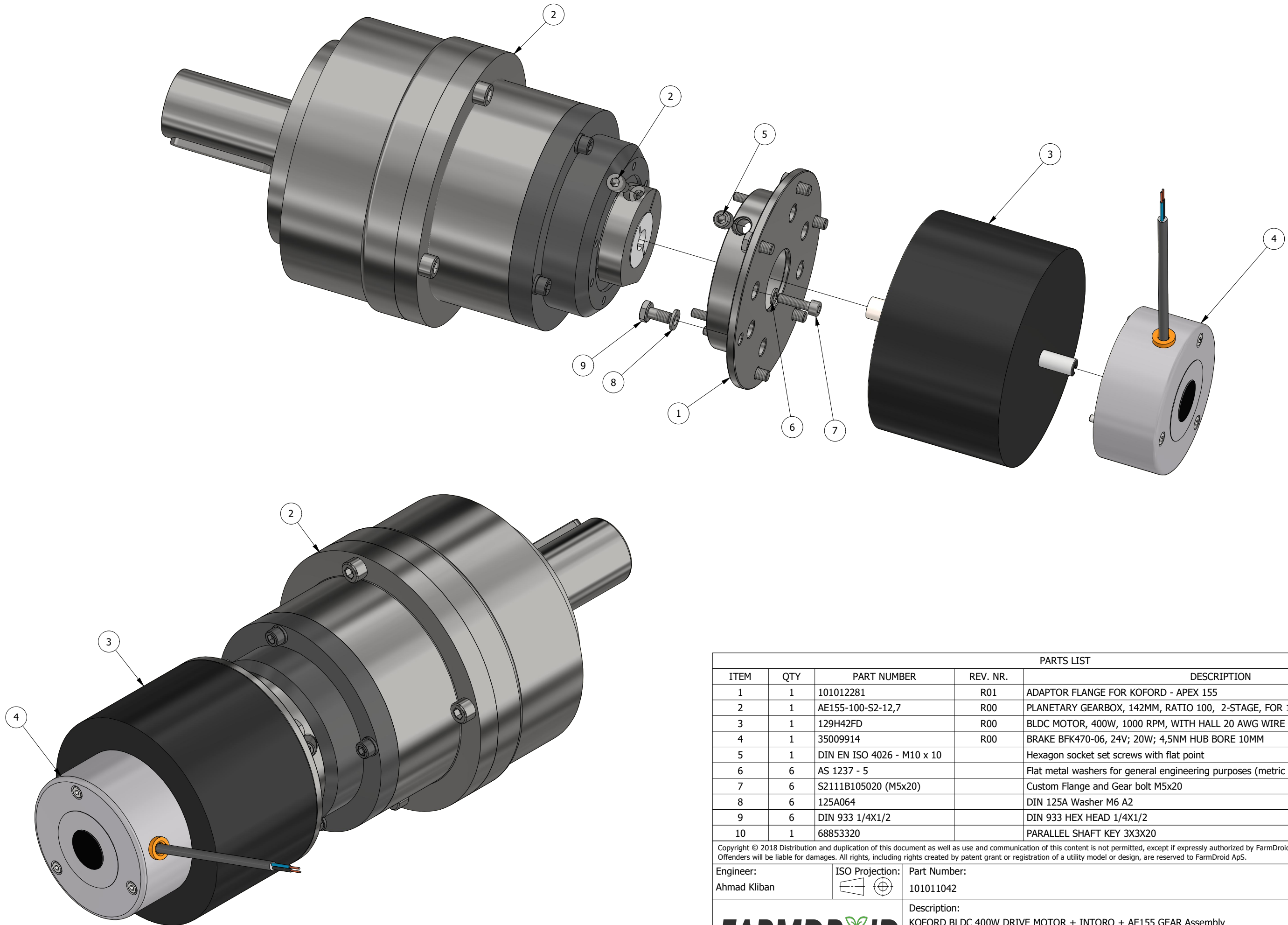
Copyright © 2018 Distribution and duplication of this document as well as use and communication of this content is not permitted, except if expressly authorized by FarmDroid ApS. Offenders will be liable for damages. All rights, including rights created by patent grant or registration of a utility model or design, are reserved to FarmDroid ApS.

Engineer: Ahmad Kliban
 ISO Projection: 
 Part Number: 101011044



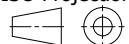
Description: BACK WHEEL ASSEMBLY R


Scale: 1 : 10 [A3] Weight: N/A Rev. Nr.: R00 Date: 02-02-2022 Sheet: 1 / 1

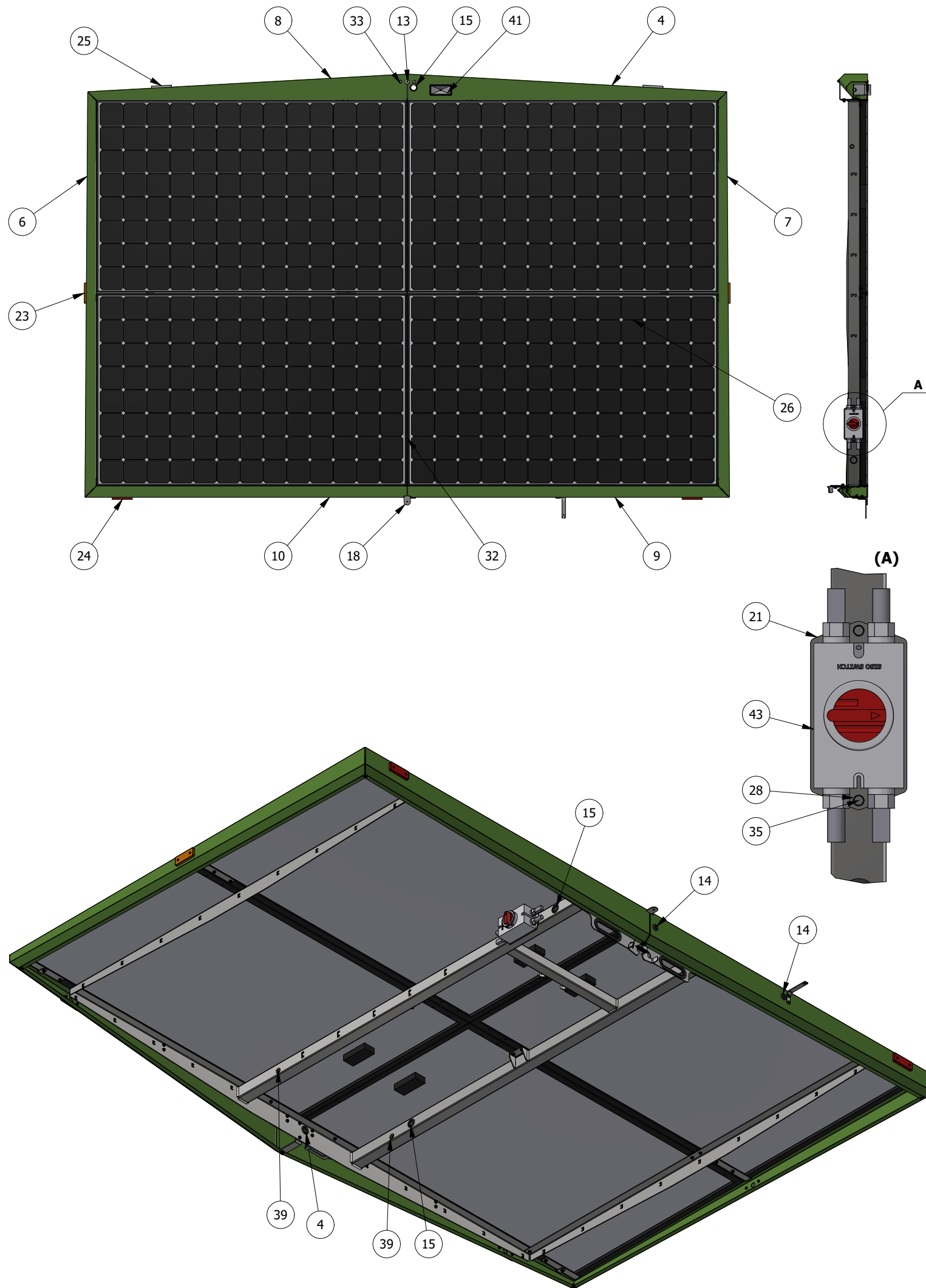


PARTS LIST				
ITEM	QTY	PART NUMBER	REV. NR.	DESCRIPTION
1	1	101012281	R01	ADAPTOR FLANGE FOR KOFORD - APEX 155
2	1	AE155-100-S2-12,7	R00	PLANETARY GEARBOX, 142MM, RATIO 100, 2-STAGE, FOR 12.7MM SHAFT
3	1	129H42FD	R00	BLDC MOTOR, 400W, 1000 RPM, WITH HALL 20 AWG WIRE
4	1	35009914	R00	BRAKE BFK470-06, 24V; 20W; 4,5NM HUB BORE 10MM
5	1	DIN EN ISO 4026 - M10 x 10		Hexagon socket set screws with flat point
6	6	AS 1237 - 5		Flat metal washers for general engineering purposes (metric series)
7	6	S2111B105020 (M5x20)		Custom Flange and Gear bolt M5x20
8	6	125A064		DIN 125A Washer M6 A2
9	6	DIN 933 1/4X1/2		DIN 933 HEX HEAD 1/4X1/2
10	1	68853320		PARALLEL SHAFT KEY 3X3X20

Copyright © 2018 Distribution and duplication of this document as well as use and communication of this content is not permitted, except if expressly authorized by FarmDroid ApS. Offenders will be liable for damages. All rights, including rights created by patent grant or registration of a utility model or design, are reserved to FarmDroid ApS.

Engineer: Ahmad Kliban
 ISO Projection: 
 Part Number: 101011042

	Description: KOFORD BLDC 400W DRIVE MOTOR + INTORQ + AE155 GEAR Assembly			
	Scale: 1 : 2 [A3]	Weight: N/A	Rev. Nr.: R02	Date: 02-02-2022
				Sheet: 1 / 1



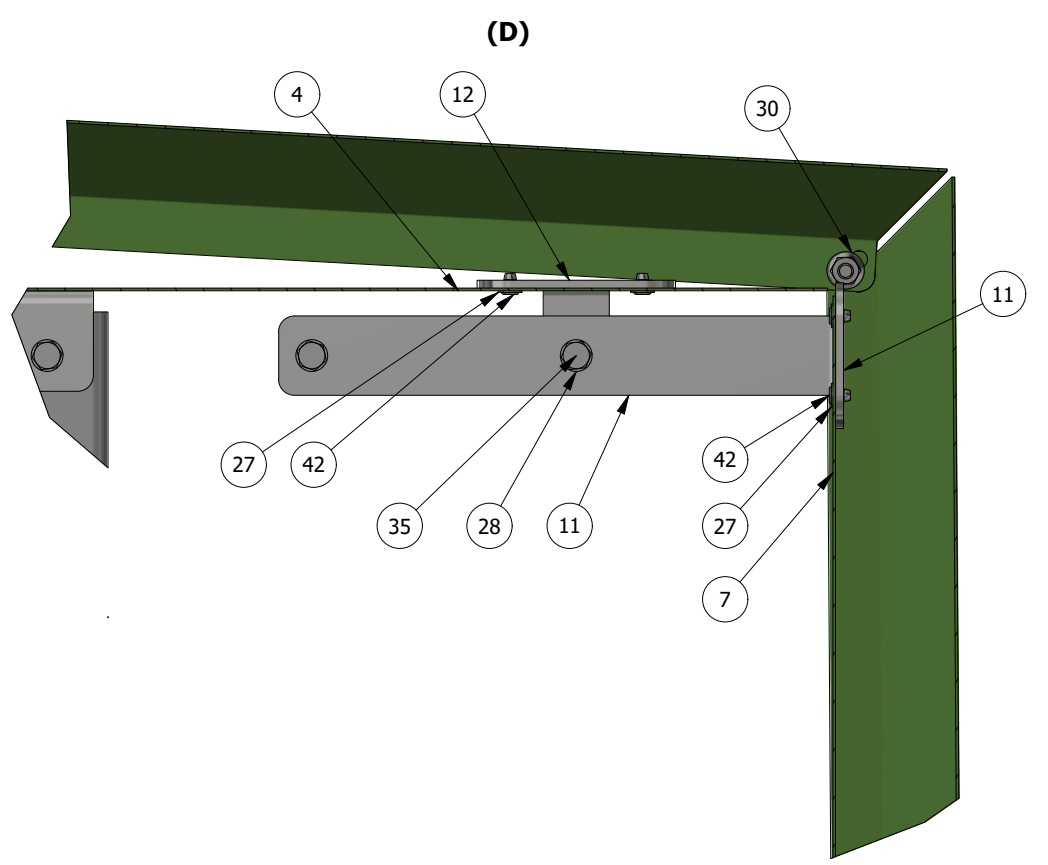
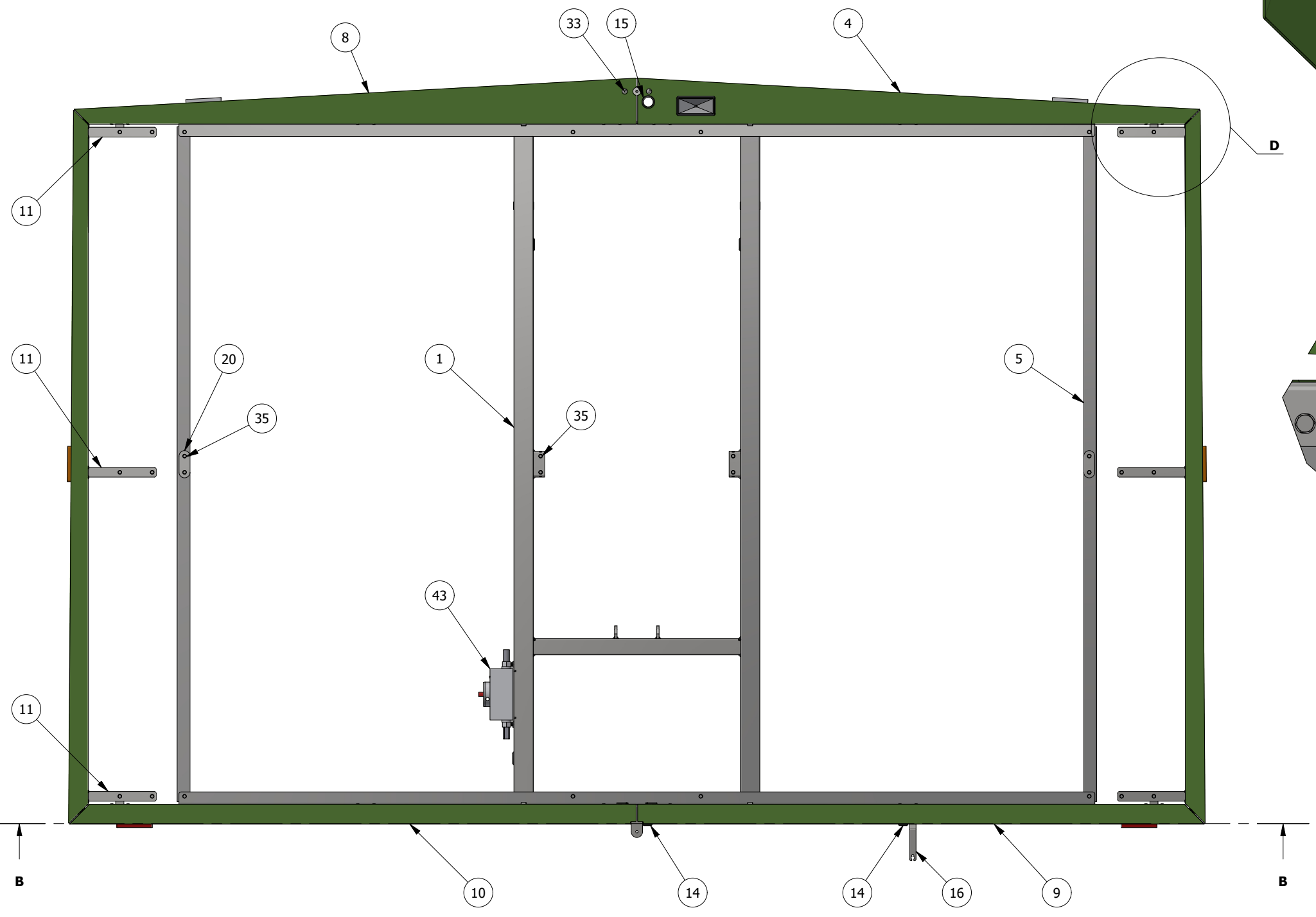
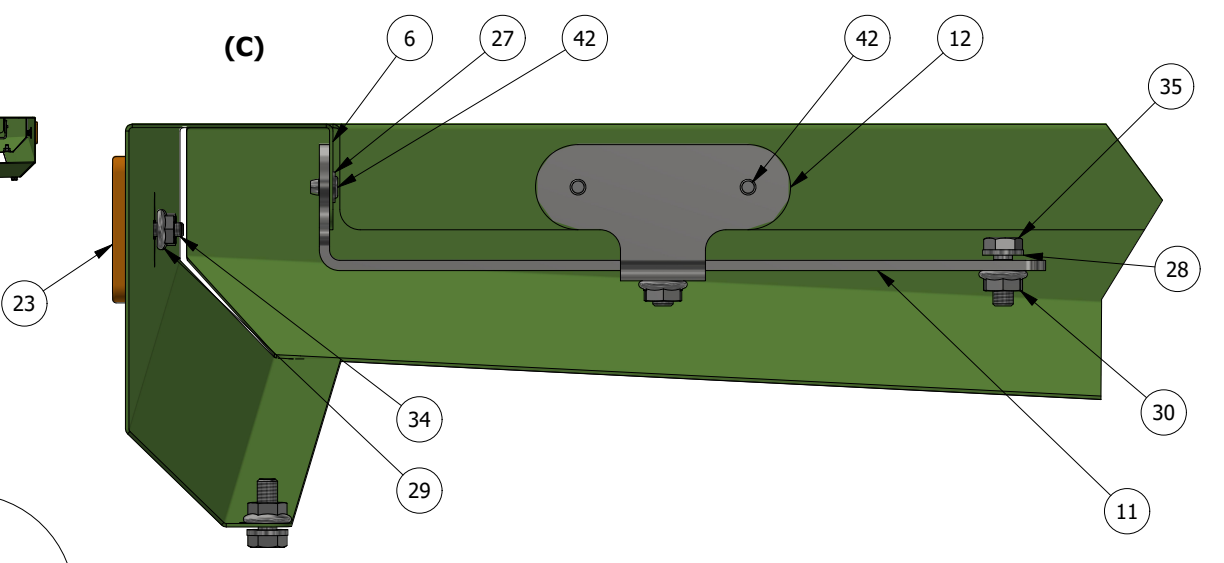
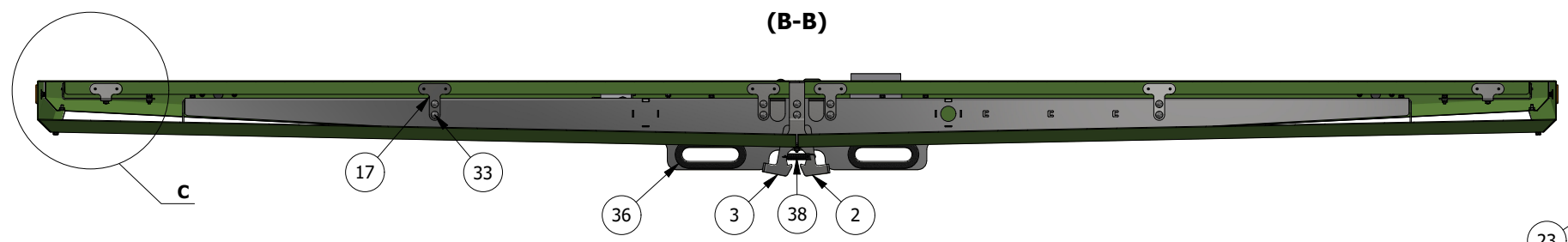
PARTS LIST					
ITEM	QTY	PART NUMBER	REV. NR.	DESCRIPTION	
1	1	101011023	R04	SOLAR PANEL TOP WELD ASSEMBLY	
2	1	101012165	R02	SOLAR PANEL LOCKING DEVICE RIGHT	
3	1	101012166	R02	SOLAR PANEL LOCKING DEVICE LEFT	
4	1	101012184	R02	SOLAR PANEL SKIRT FRONT RIGHT SIDE	
5	2	101012137	R01	SOLAR PANEL OUTER SUPPORT	
6	1	101012181	R01	SOLAR PANEL SKIRT LEFT SIDE	
7	1	101012182	R01	SOLAR PANEL SKIRT RIGHT SIDE	
8	1	101012183	R01	SOLAR PANEL SKIRT FRONT LEFT SIDE	
9	1	101012185	R01	SOLAR PANEL SKIRT RIGHT BACK	
10	1	101012186	R01	SOLAR PANEL SKIRT LEFT BACK	
11	6	101012201	R01	LONG ANGLE BRACKET FOR SOLAR PANEL SKIRTS	
12	4	101012202	R01	SHORT ANGLE BRACKET FOR SOLAR PANEL SKIRTS	
13	1	101012203	R01	FRONT GNSS ANTENNA BRACKET	
14	2	0252 0065 010	R00	GROMMETS DA 140/200/15	
15	5	0252 0333 010	R00	GROMMETS DA 300/350/30	
16	1	101012088	R00	GSM ANTENNA BRACKET	
17	8	101012200	R00	STRAIGHT BRACKET FOR SOLAR PANEL SKIRTS	
18	1	101012204	R00	REAR GNSS ANTENNA BRACKET	
19	1	101012223	R00	RAIN GAUGE BRACKET	
20	2	101012224	R00	DISTANCE PIECE FOR SOLAR PANEL OUTER SUPPORT	
21	1	101012225	R00	PLATE FOR SOLAR PANEL SWITCH	
22	2	JFM-1012-05	R00	JFM-1012-05	
23	2	LEDLIGHTASSEMBLY-AMBER	R00	LED LIGHT ASSEMBLY - AMBER LIGHT	
24	2	LEDLIGHTASSEMBLY-RED	R00	LED LIGHT ASSEMBLY - RED LIGHT	
25	2	LEDLIGHTASSEMBLY - WHITE	R00	LED LIGHT ASSEMBLY - WHITE LIGHT	
26	4	SPR-MAX3-395	R00	SOLAR PANEL, 395W, 1690X1046X40MM	
27	54	125A044		DIN 125A WASHER M4 A2	
28	36	125A064		DIN 125A Washer M6 A2	
29	12	6923S044		DIN 6923S FLANGE NUT M4 A2	
30	58	6923S064		DIN 6923S Flange Nut M6 A2	
31	2	6923S084		DIN 6923S FLANGE NUT M8 A2	
32	1	1648075		FUGEBÄND F600 15/5-12 SORT	
33	24	603060164		DIN 603 MUSHROOM HEAD M6x16 A2	
34	14	912040164		DIN 912 HEX HEAD M4X16MM A2	
35	36	933060164		DIN 933 HEX HEAD M6X16MM A2	
36	2	10001131449		KANTLISTE, 1-4MM, PVC PROFIL BLACK WITH STEEL	
37	2	073799200080012-AP		PASBOLT 7379 A2 M8X12-Ø10	
38	1	E04200452000S		SPRING 1,14x10,67x50,80	
39	4	JFM-1618-06		Sleeve bearing with flange	
40	2	JTM-1018-010		THRUST WASHER, D1 10MM, D2 12MM, T 1MM	
41	1	MS-WH-SP-RG		RAIN METER	
42	36	RF32120		POPNITTE 3,2X10MM A2	
43	1	SWDC4P32AK		SISO-32MC (PV ISOLATOR SWITCH 32 A, 1000VDC, 4 POLES)	

Copyright © 2018 Distribution and duplication of this document as well as use and communication of this content is not permitted, except if expressly authorized by FarmDroid ApS. Offenders will be liable for damages. All rights, including rights created by patent grant or registration of a utility model or design, are reserved to FarmDroid ApS.

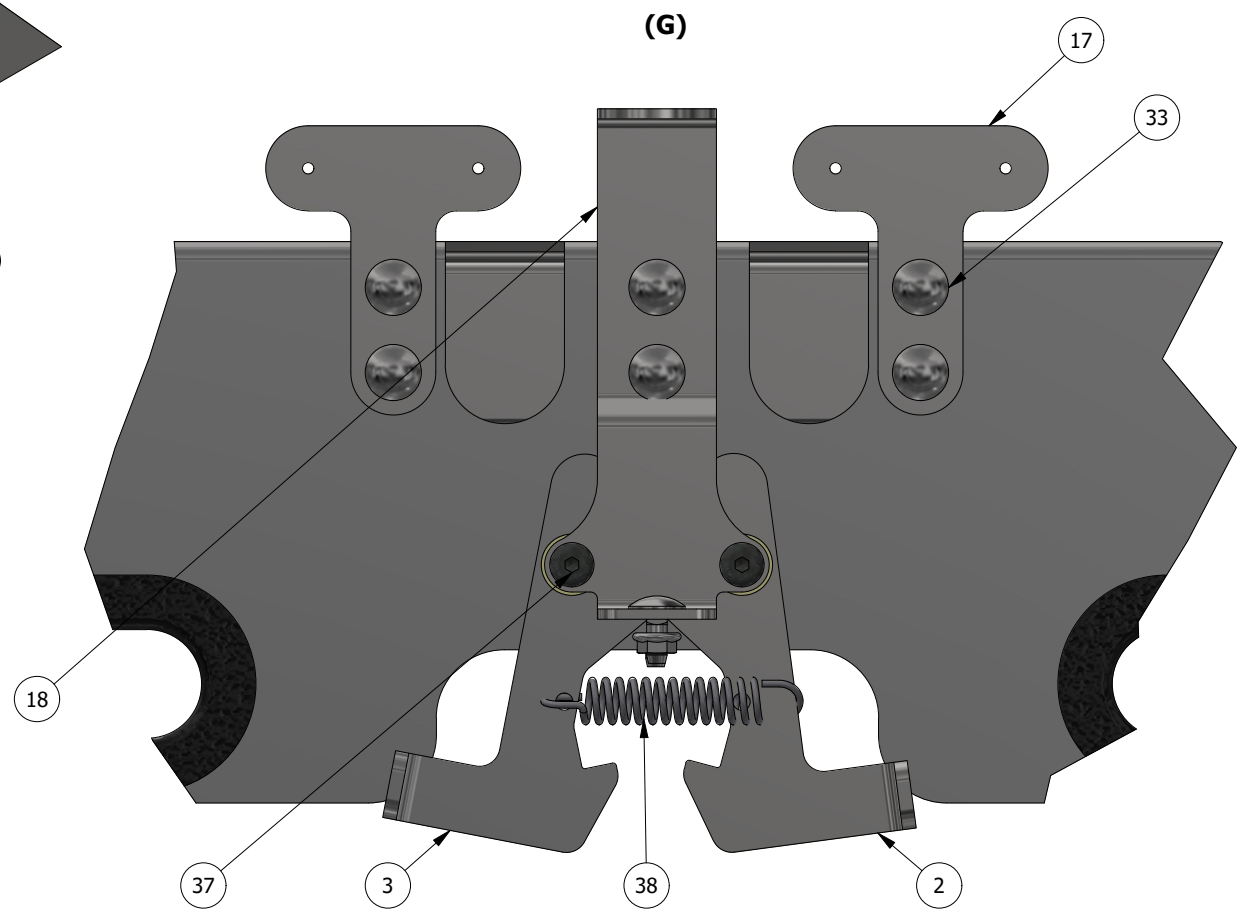
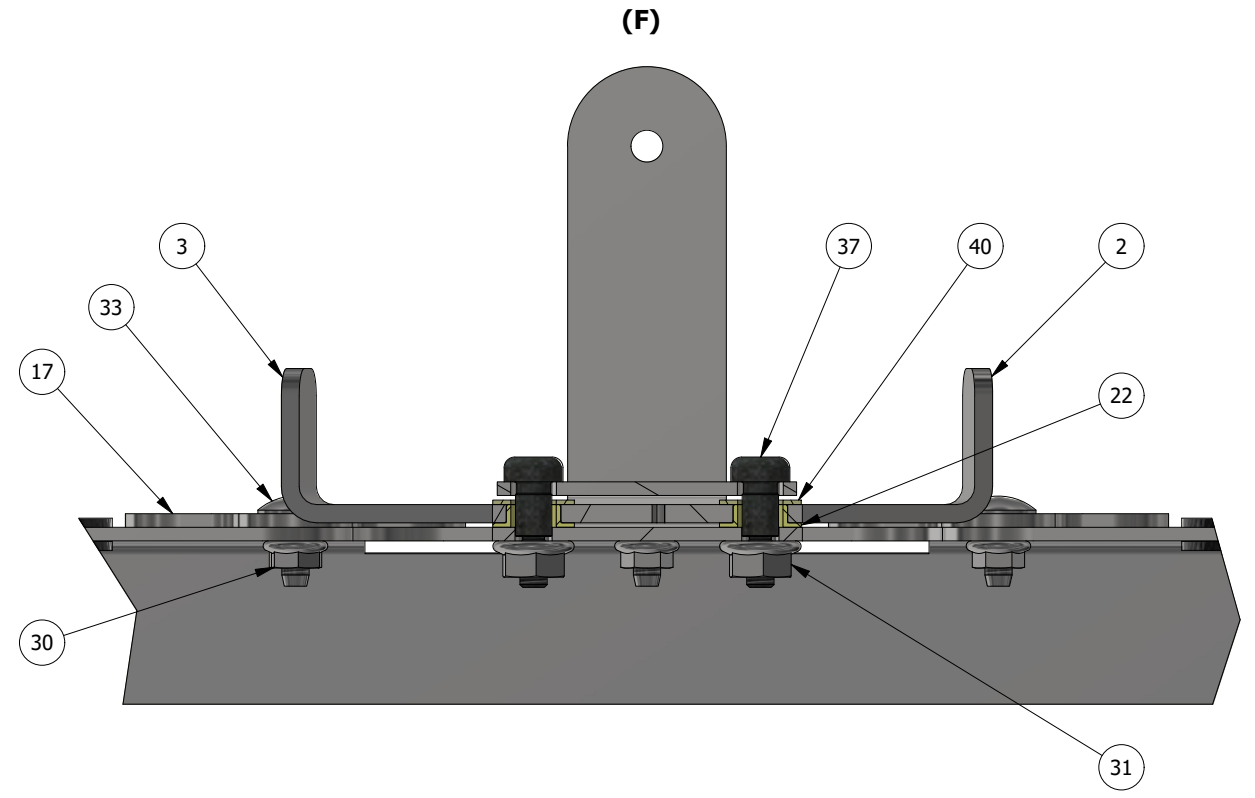
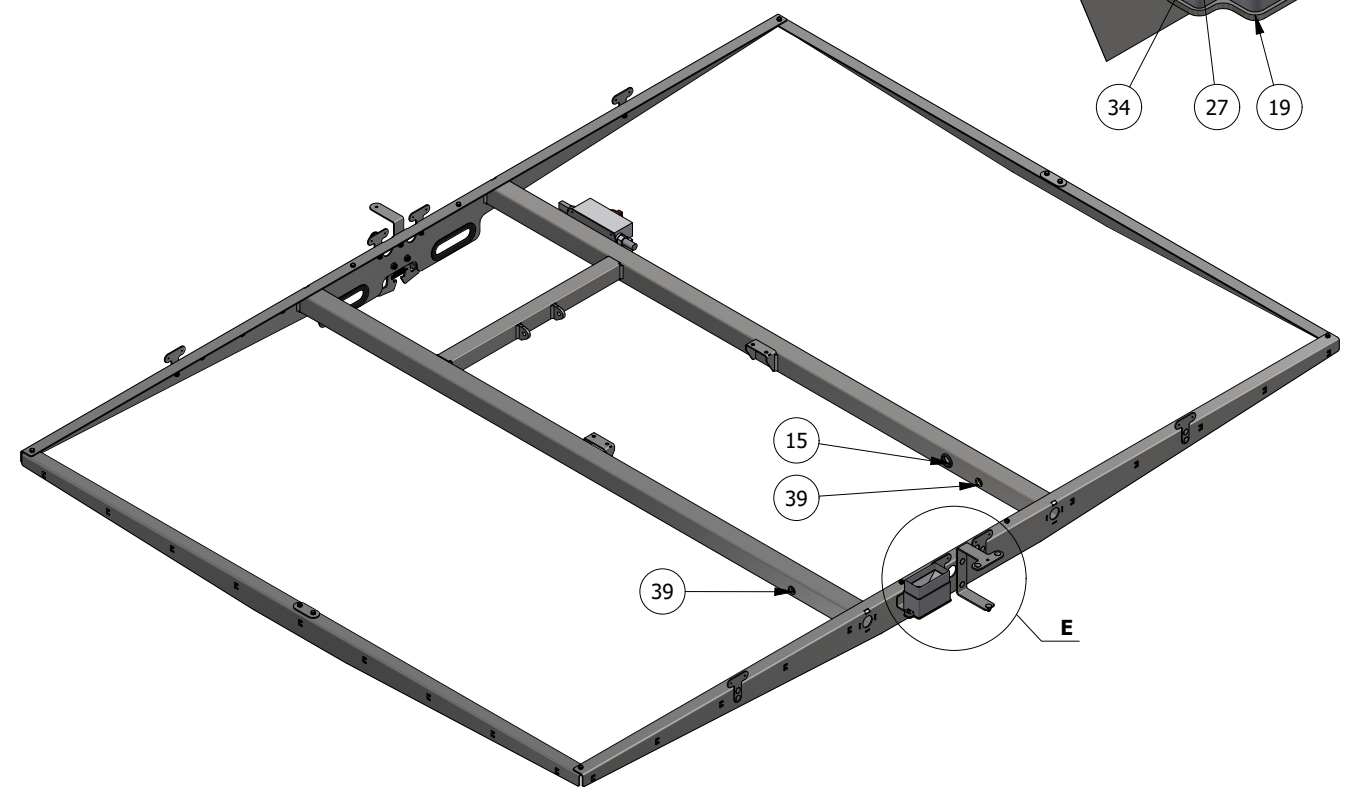
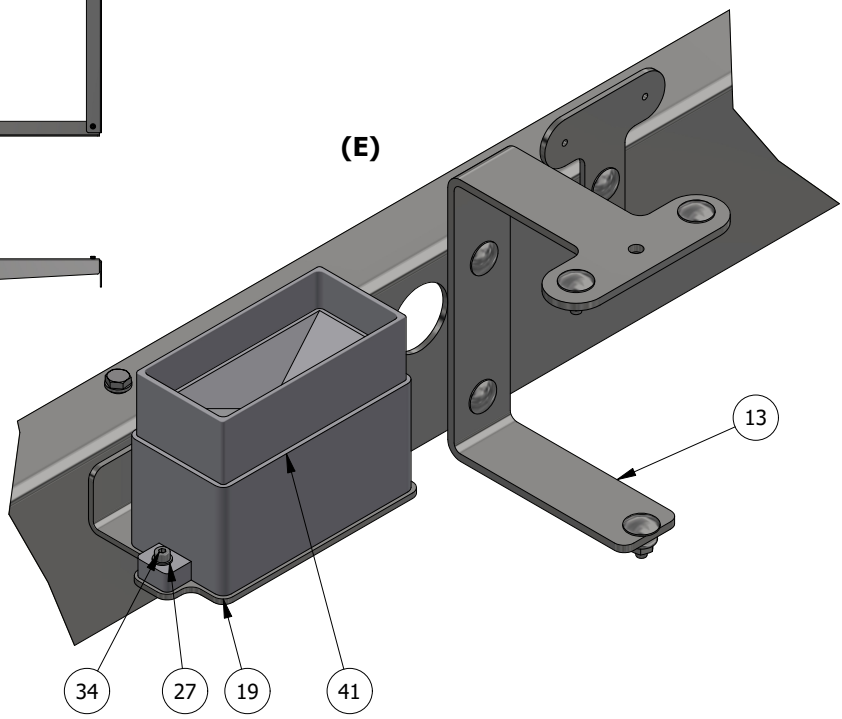
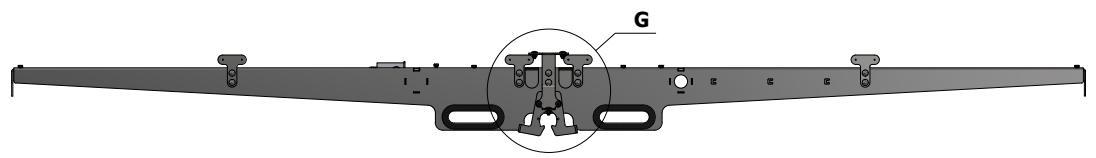
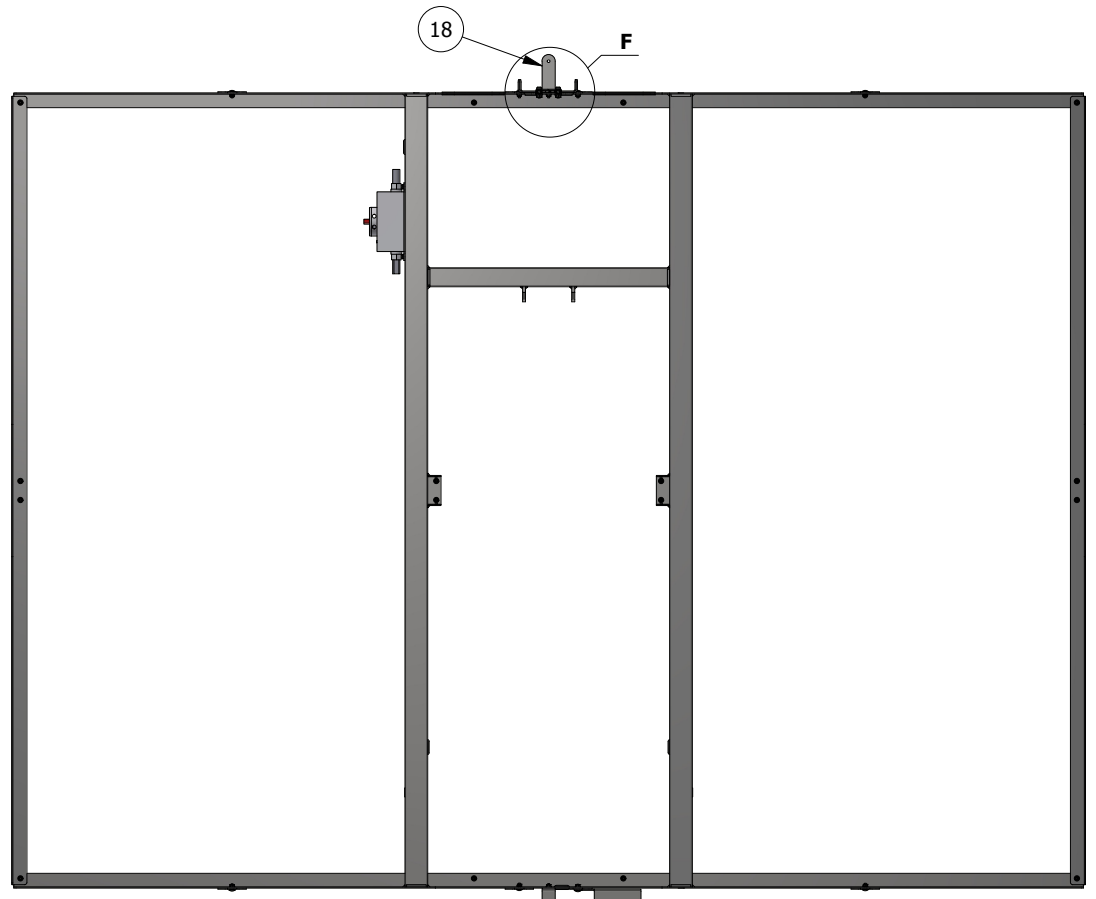
Engineer: Ahmad Kliban
 ISO Projection: 
 Part Number: 101011024

FARMDROID Description: SOLAR PANEL TOP ASSEMBLY

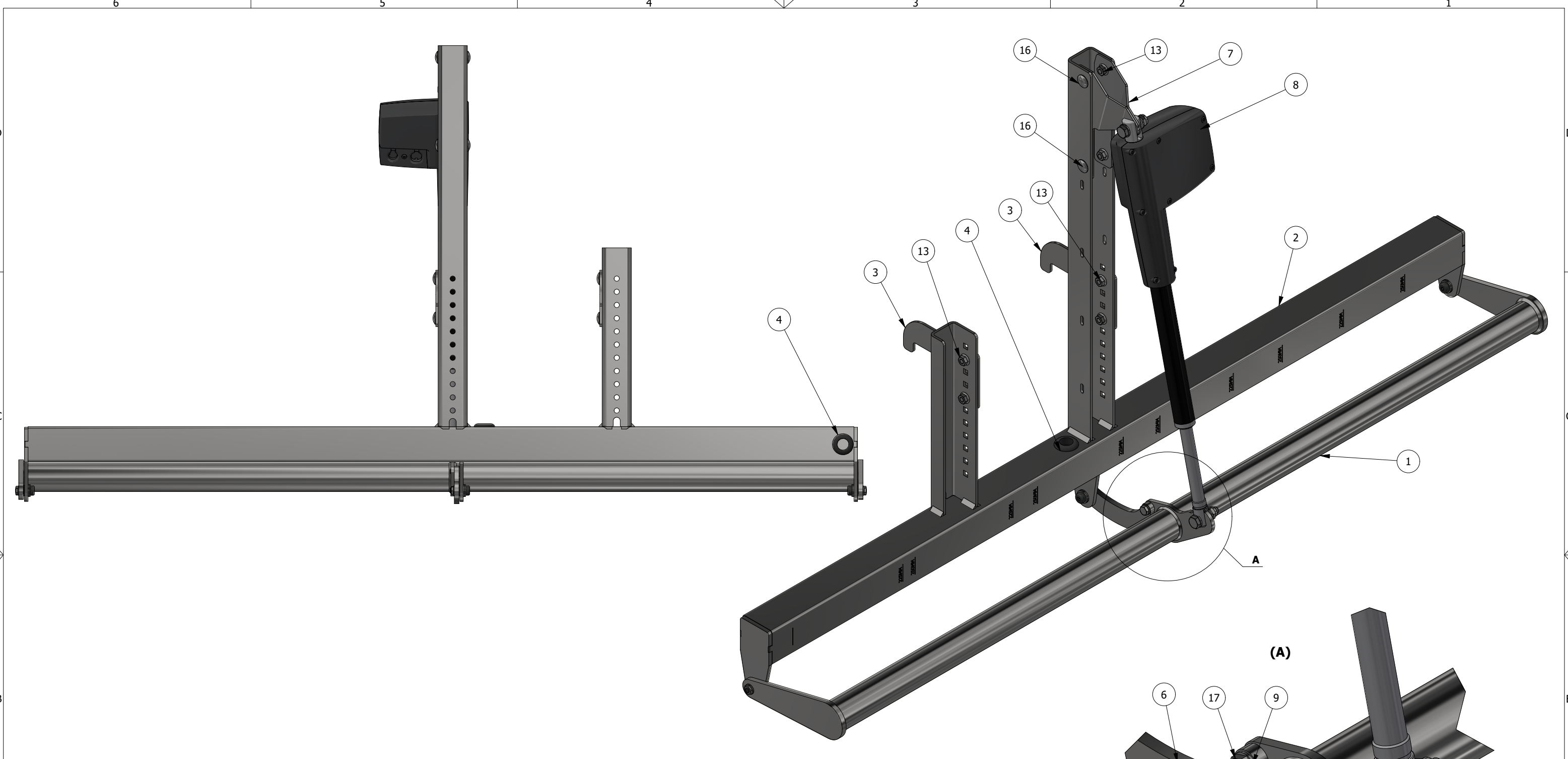
Scale: 1 : 25 [A3]	Weight: N/A	Rev. Nr.: R00	Date: 02-02-2022	Sheet: 1 / 3
--------------------	-------------	---------------	------------------	--------------



Copyright © 2018 Distribution and duplication of this document as well as use and communication of this content is not permitted, except if expressly authorized by FarmDroid ApS. Offenders will be liable for damages. All rights, including rights created by patent grant or registration of a utility model or design, are reserved to FarmDroid ApS.				
Engineer: Ahmad Kliban	ISO Projection: 	Part Number: 101011024		
		Description: SOLAR PANEL TOP ASSEMBLY		
		Scale: 1 : 15 [A3]	Weight: N/A	Rev. Nr.: R00
			Sheet: 2 / 3	



Copyright © 2018 Distribution and duplication of this document as well as use and communication of this content is not permitted, except if expressly authorized by FarmDroid ApS. Offenders will be liable for damages. All rights, including rights created by patent grant or registration of a utility model or design, are reserved to FarmDroid ApS.				
Engineer: Ahmad Kliban	ISO Projection: 	Part Number: 101011024		
		Description: SOLAR PANEL TOP ASSEMBLY		
		Scale: 1 : 20 [A3]	Weight: N/A	Rev. Nr.: R00
		Date: 02-02-2022	Sheet: 3 / 3	



PARTS LIST

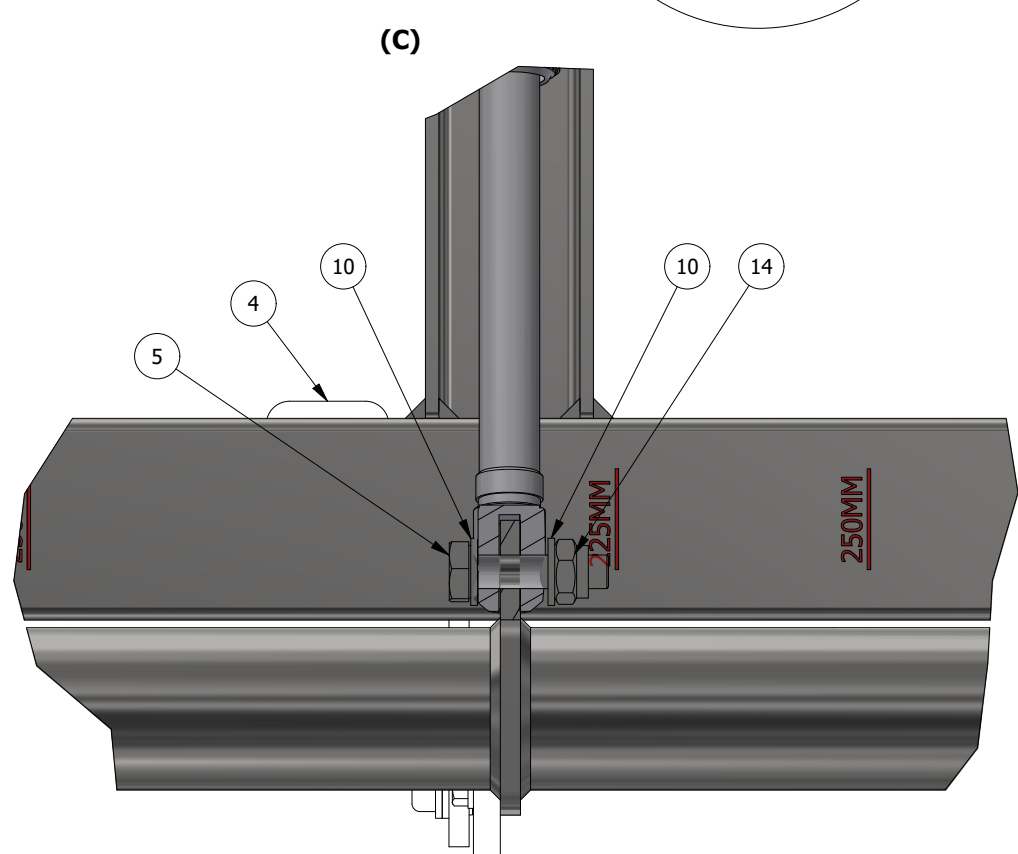
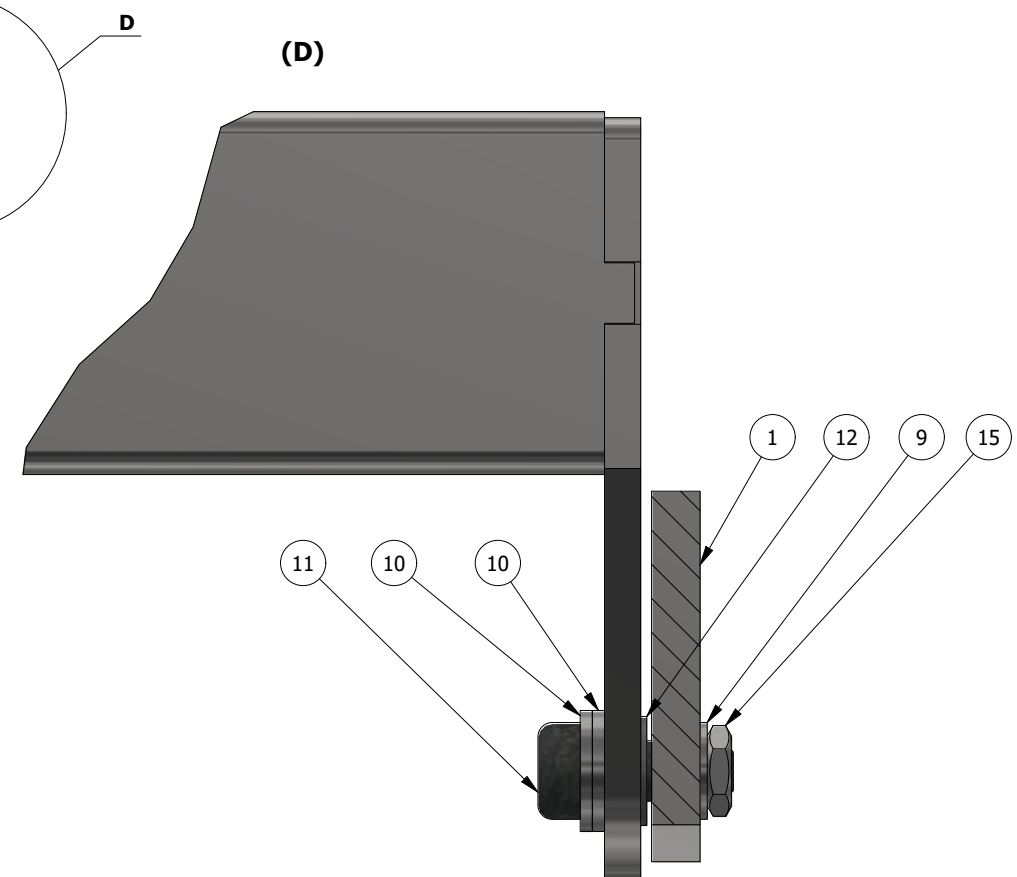
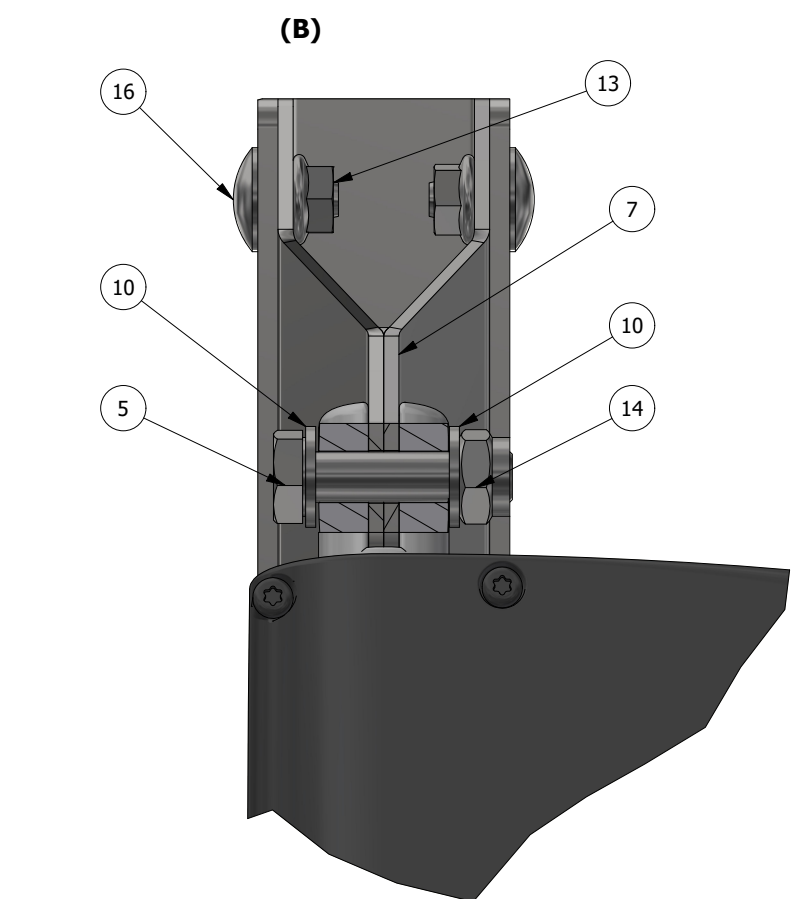
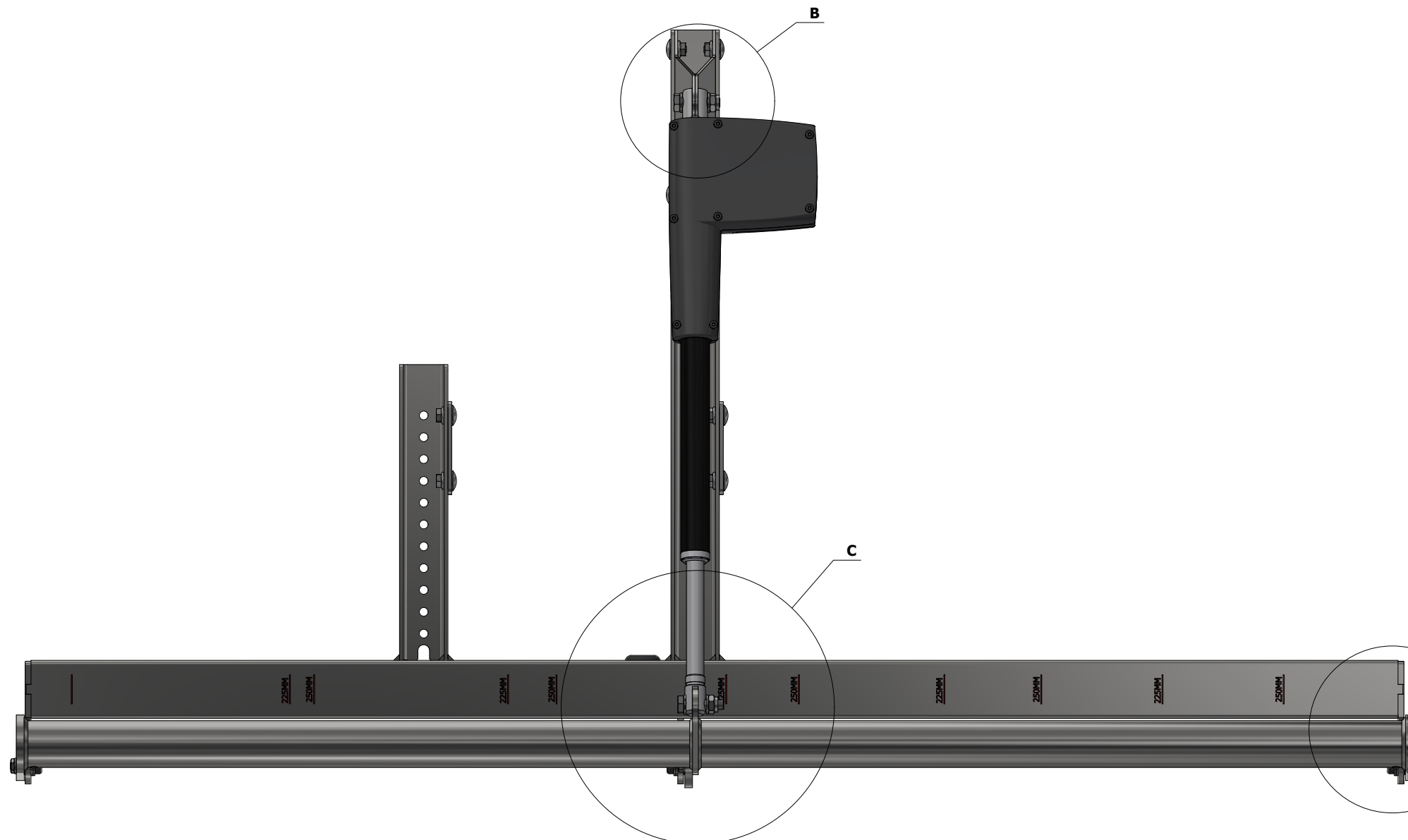
ITEM	QTY	PART NUMBER	REV. NR.	DESCRIPTION
1	1	102011020	R05	LIFTING TUBE WELD ASSEMBLY LEFT
2	1	102011017	R03	LEFT TOOL BEAM WELD ASSEMBLY
3	2	102012070	R02	SLIDE BRACKET FOR TOOL
4	2	0252 0078 010	R00	GROMMETS DA 200/280/30
5	2	931100554-1	R00	DIN 931 HEX HEAD BOLT M10X55MM A2
6	1	102012112	R00	CENTER CONNECTING SUPPORT BRACKET
7	1	102011022	R00	ACTUATOR BRACKET WELD ASSEMBLY
8	1	3521A0+2A300B25		LINIAR ACTUATOR, 300MM STROKE, 5M CABLE
9	5	125A084		DIN 125A WASHER M8 A2
10	10	125A104		DIN 125A WASHER M10 A2
11	3	073799200080012-AP		PASBOLT 7379 A2 M8X12-Ø10
12	3	XFM-1012-07		HIGH STRENGTH SLEEVE BEARING WITH FLANGE, D1 10MM, D2 12MM, H 7MM
13	8	6923S084		DIN 6923S FLANGE NUT M8 A2
14	2	985V104		DIN 985 LOCK NUT M10 A2
15	3	439084		DIN 439 COUNTERNUT M8 4MM A2
16	8	603080164		DIN 603 MUSHROOM HEAD M8X16MM A2
17	2	933080164		DIN 933 HEX HEAD M8X16MM A2

Copyright © 2018 Distribution and duplication of this document as well as use and communication of this content is not permitted, except if expressly authorized by FarmDroid ApS. Offenders will be liable for damages. All rights, including rights created by patent grant or registration of a utility model or design, are reserved to FarmDroid ApS.

Engineer: Ahmad Kliban ISO Projection: Part Number: 102011039

FARMDROID Description: TOOL BEAM ASSEMBLY LEFT

Scale: 1 : 6,5 [A3]	Weight: N/A	Rev. Nr.: R01	Date: 04-02-2022	Sheet: 1 / 2
---------------------	-------------	---------------	------------------	--------------



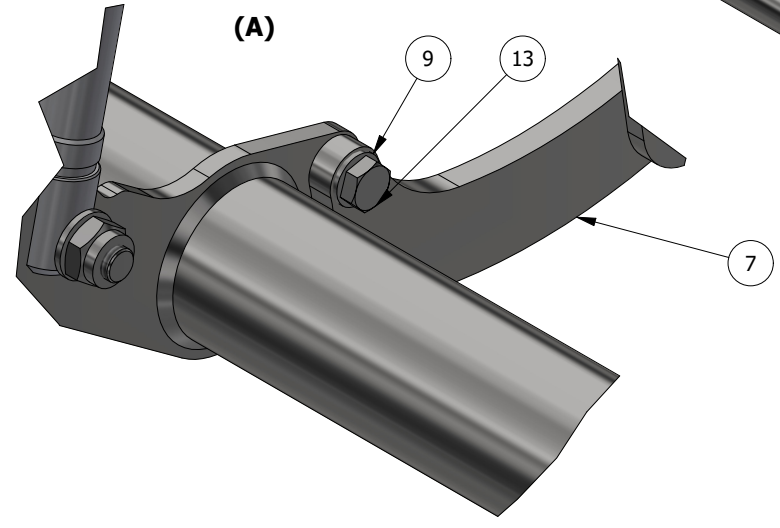
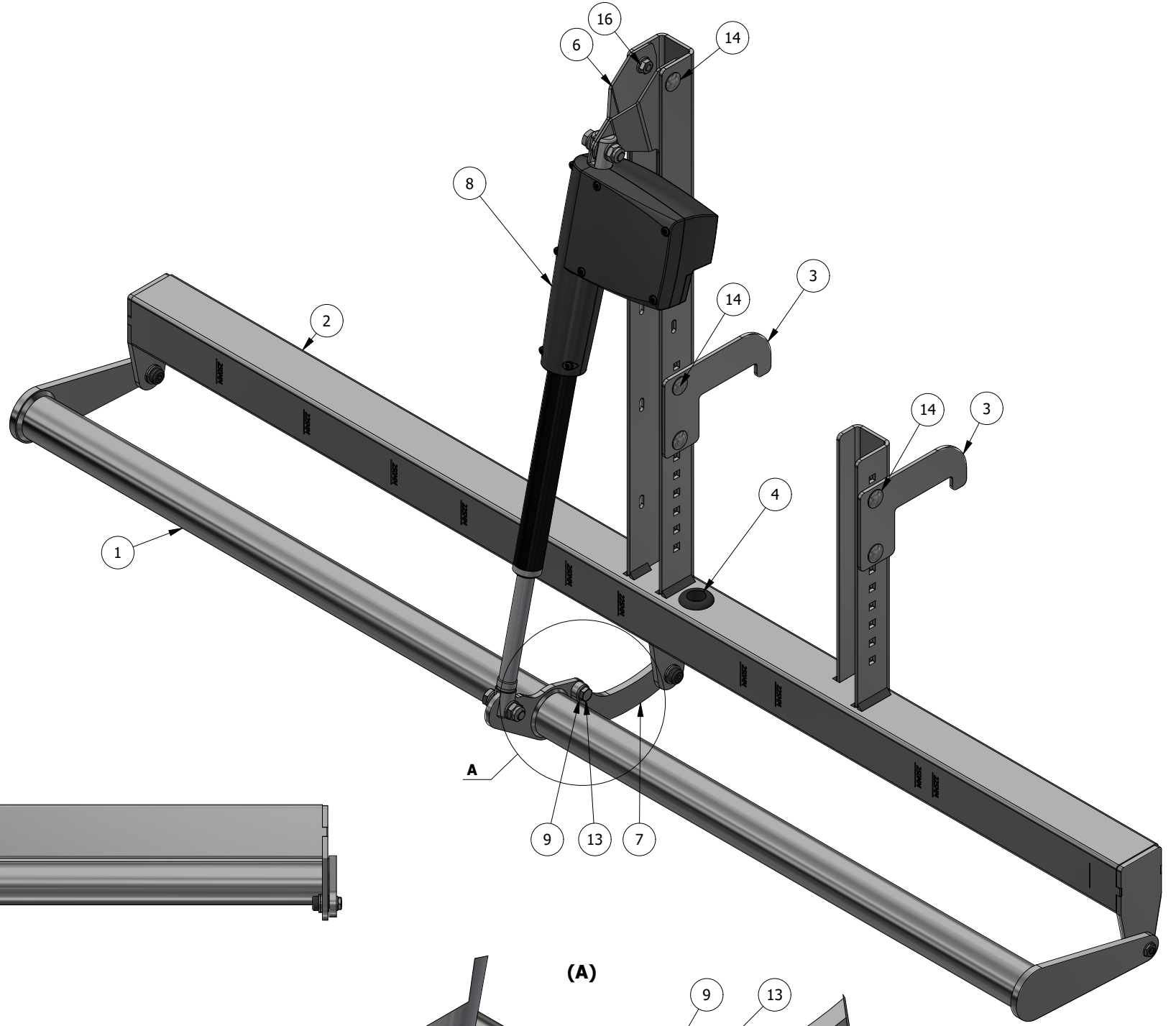
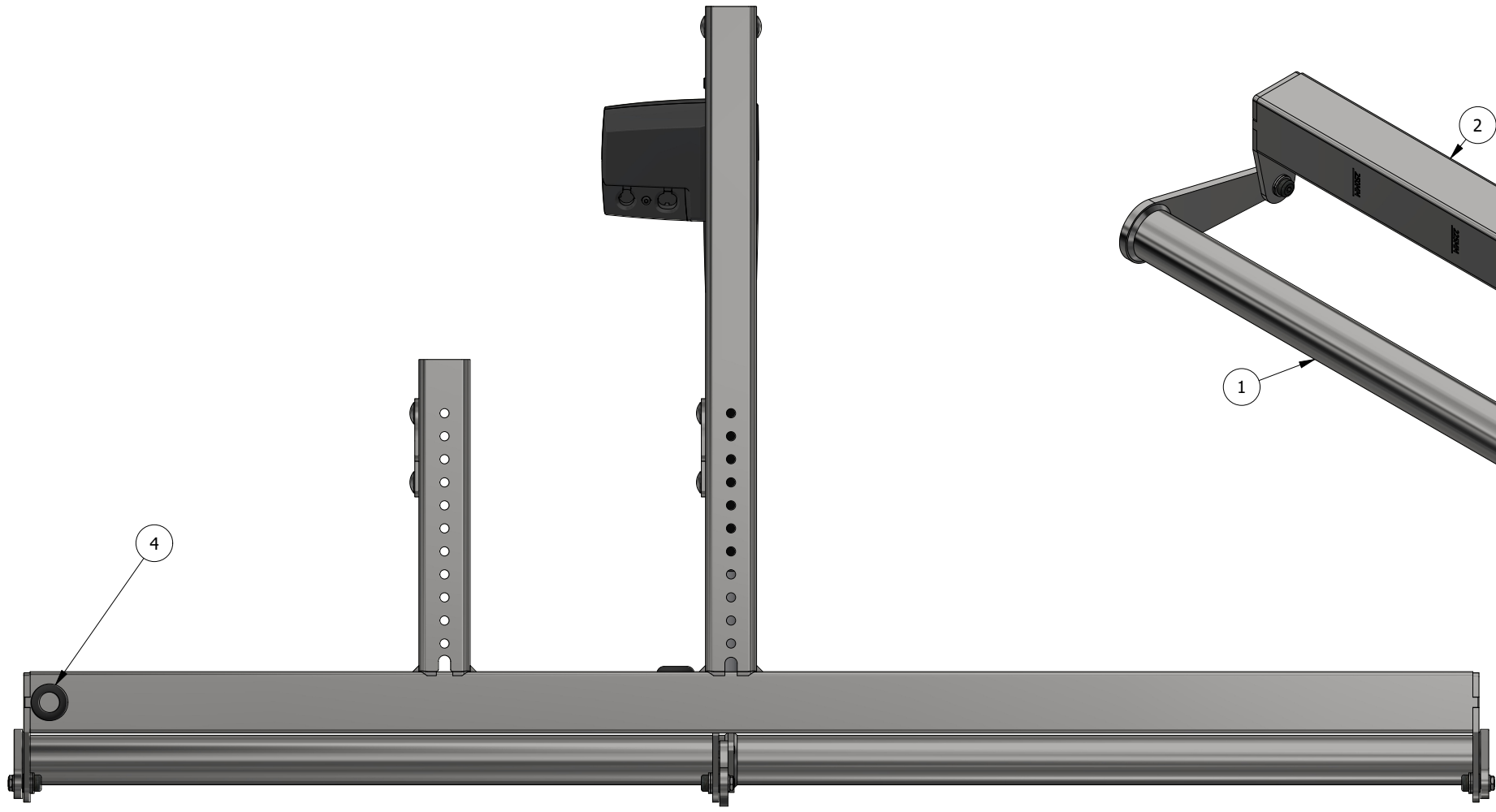
Copyright © 2018 Distribution and duplication of this document as well as use and communication of this content is not permitted, except if expressly authorized by FarmDroid ApS. Offenders will be liable for damages. All rights, including rights created by patent grant or registration of a utility model or design, are reserved to FarmDroid ApS.

Engineer: Ahmad Kliban
 ISO Projection: 
 Part Number: 102011039



Description: TOOL BEAM ASSEMBLY LEFT

Scale: 1 : 5,5 [A3]	Weight: N/A	Rev. Nr.: R01	Date: 04-02-2022	Sheet: 2 / 2
---------------------	-------------	---------------	------------------	--------------



PARTS LIST

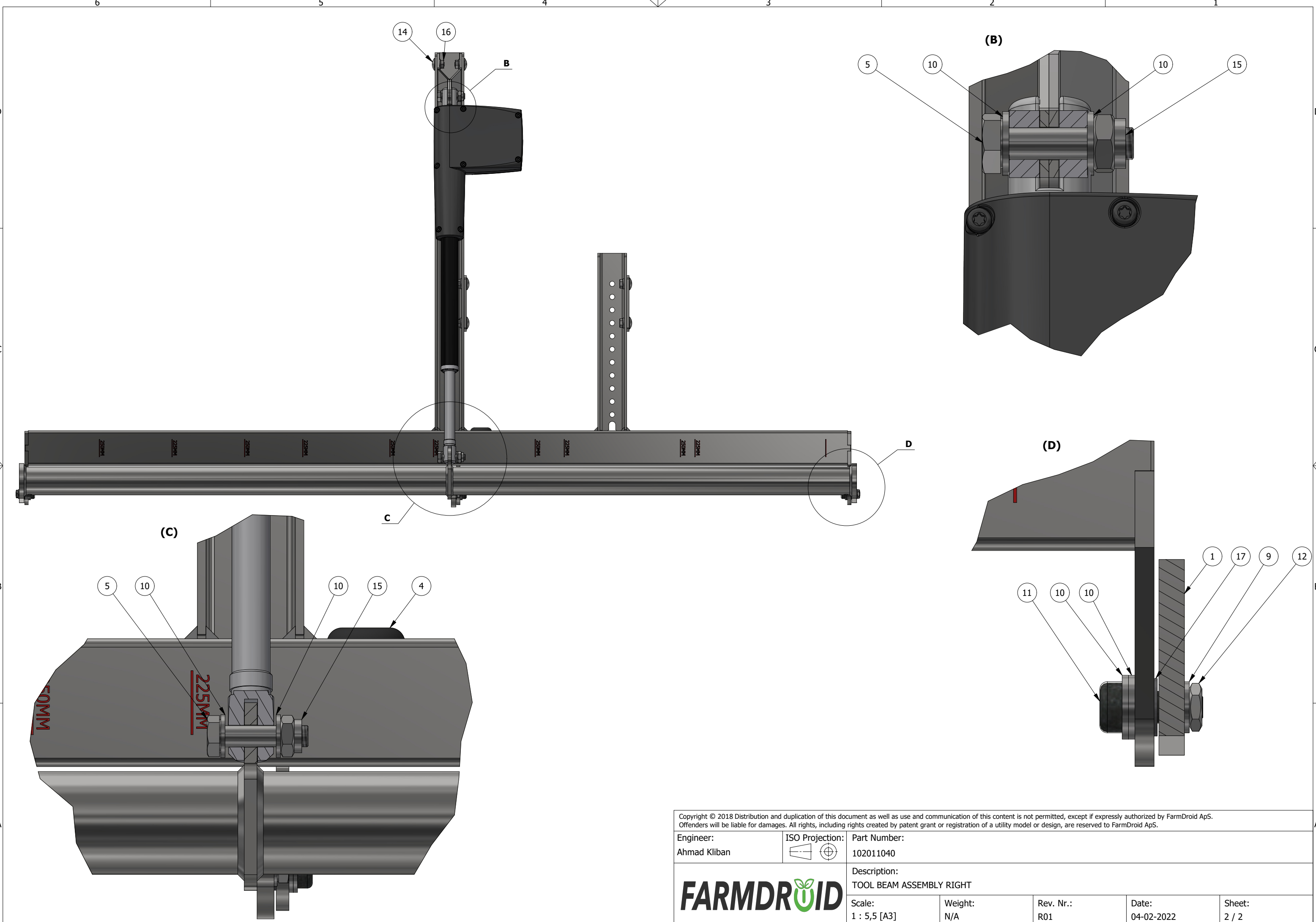
ITEM	QTY	PART NUMBER	REV. NR.	DESCRIPTION
1	1	102011035	R04	LIFTING TUBE WELD ASSEMBLY RIGHT
2	1	102011018	R03	RIGHT TOOL BEAM WELD ASSEMBLY
3	2	102012070	R02	SLIDE BRACKET FOR TOOL
4	2	0252 0078 010	R00	GROMMETS DA 200/280/30
5	2	931100554-1	R00	DIN 931 HEX HEAD BOLT M10X55MM A2
6	1	102011022	R00	ACTUATOR BRACKET WELD ASSEMBLY
7	1	102012112	R00	CENTER CONNECTING SUPPORT BRACKET
8	1	3521A0+2A300B25		LINIAR ACTUATOR, 300MM STROKE, 5M CABLE
9	5	125A084		DIN 125A WASHER M8 A2
10	10	125A104		DIN 125A WASHER M10 A2
11	3	073799200080012-AP		PASBOLT 7379 A2 M8X12-Ø10
12	3	439084		DIN 439 COUNTERNUT M8 4MM A2
13	2	933080164		DIN 933 HEX HEAD M8X16MM A2
14	6	603080164		DIN 603 MUSHROOM HEAD M8X16MM A2
15	2	985V104		DIN 985 LOCK NUT M10 A2
16	6	6923S084		DIN 6923S FLANGE NUT M8 A2
17	3	XFM-1012-07		HIGH STRENGTH SLEEVE BEARING WITH FLANGE, D1 10MM, D2 12MM, H 7MM

Copyright © 2018 Distribution and duplication of this document as well as use and communication of this content is not permitted, except if expressly authorized by FarmDroid ApS. Offenders will be liable for damages. All rights, including rights created by patent grant or registration of a utility model or design, are reserved to FarmDroid ApS.

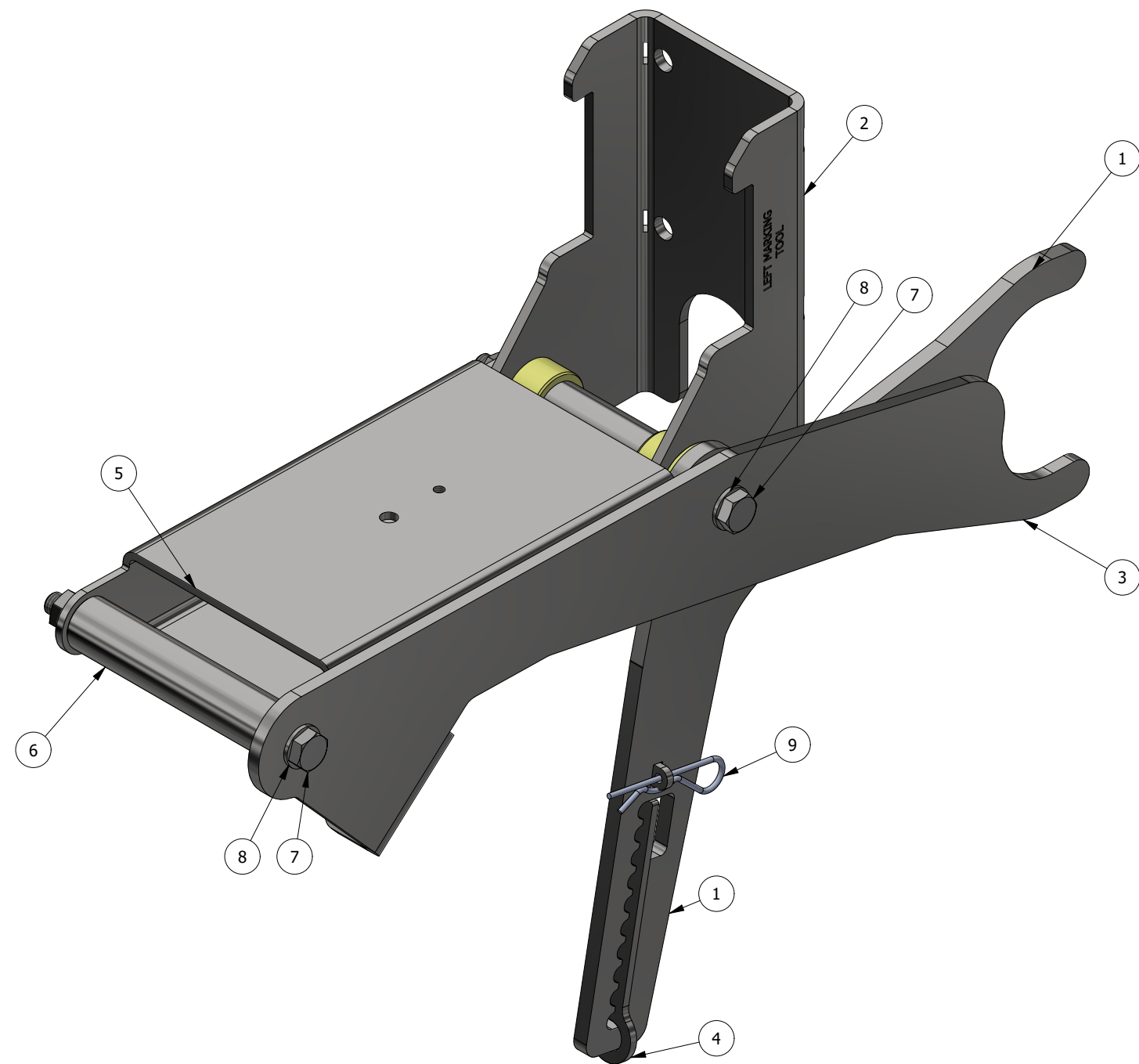
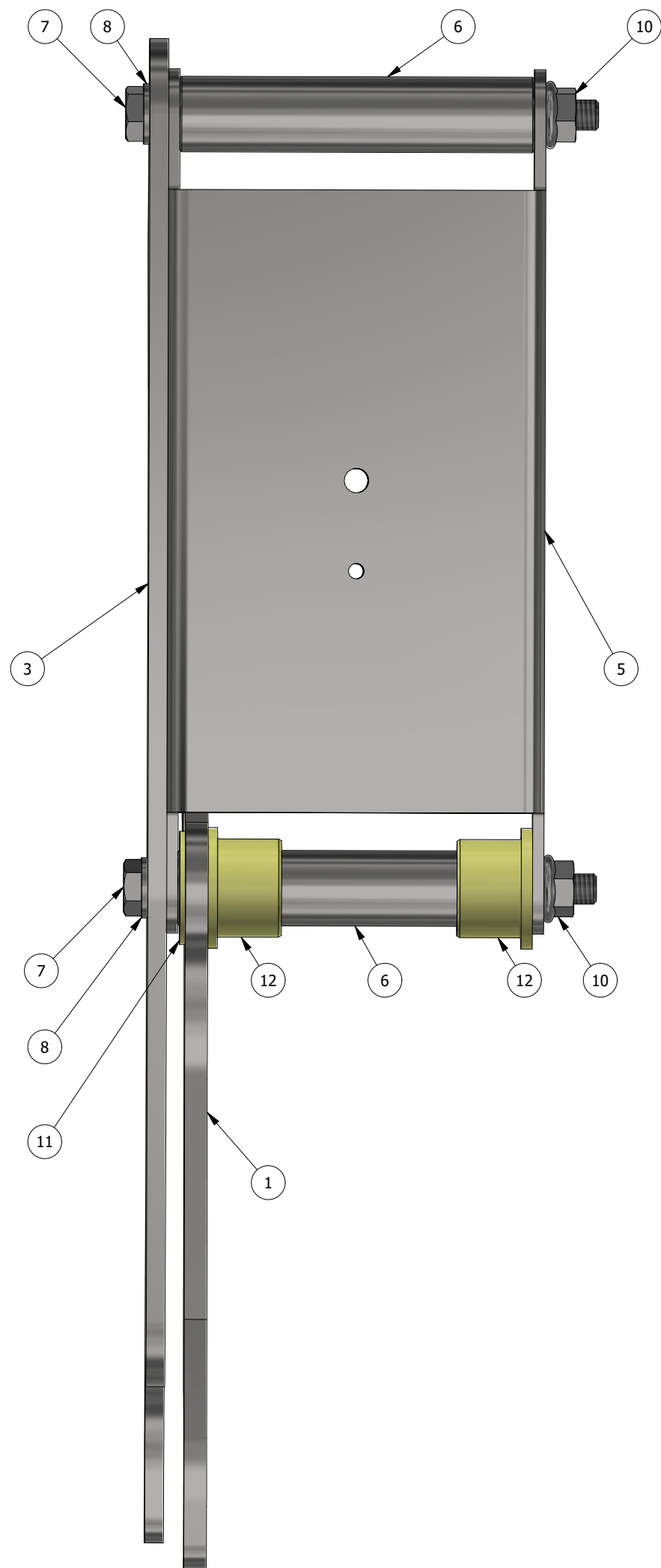
Engineer: Ahmad Kliban ISO Projection: Part Number: 102011040

FARMDROID Description: TOOL BEAM ASSEMBLY RIGHT

Scale: 1 : 5,5 [A3]	Weight: N/A	Rev. Nr.: R01	Date: 04-02-2022	Sheet: 1 / 2
---------------------	-------------	---------------	------------------	--------------

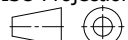


Copyright © 2018 Distribution and duplication of this document as well as use and communication of this content is not permitted, except if expressly authorized by FarmDroid ApS. Offenders will be liable for damages. All rights, including rights created by patent grant or registration of a utility model or design, are reserved to FarmDroid ApS.				
Engineer: Ahmad Kliban	ISO Projection: 	Part Number: 102011040		
		Description: TOOL BEAM ASSEMBLY RIGHT		
		Scale: 1 : 5,5 [A3]	Weight: N/A	Rev. Nr.: R01
			Sheet: 2 / 2	



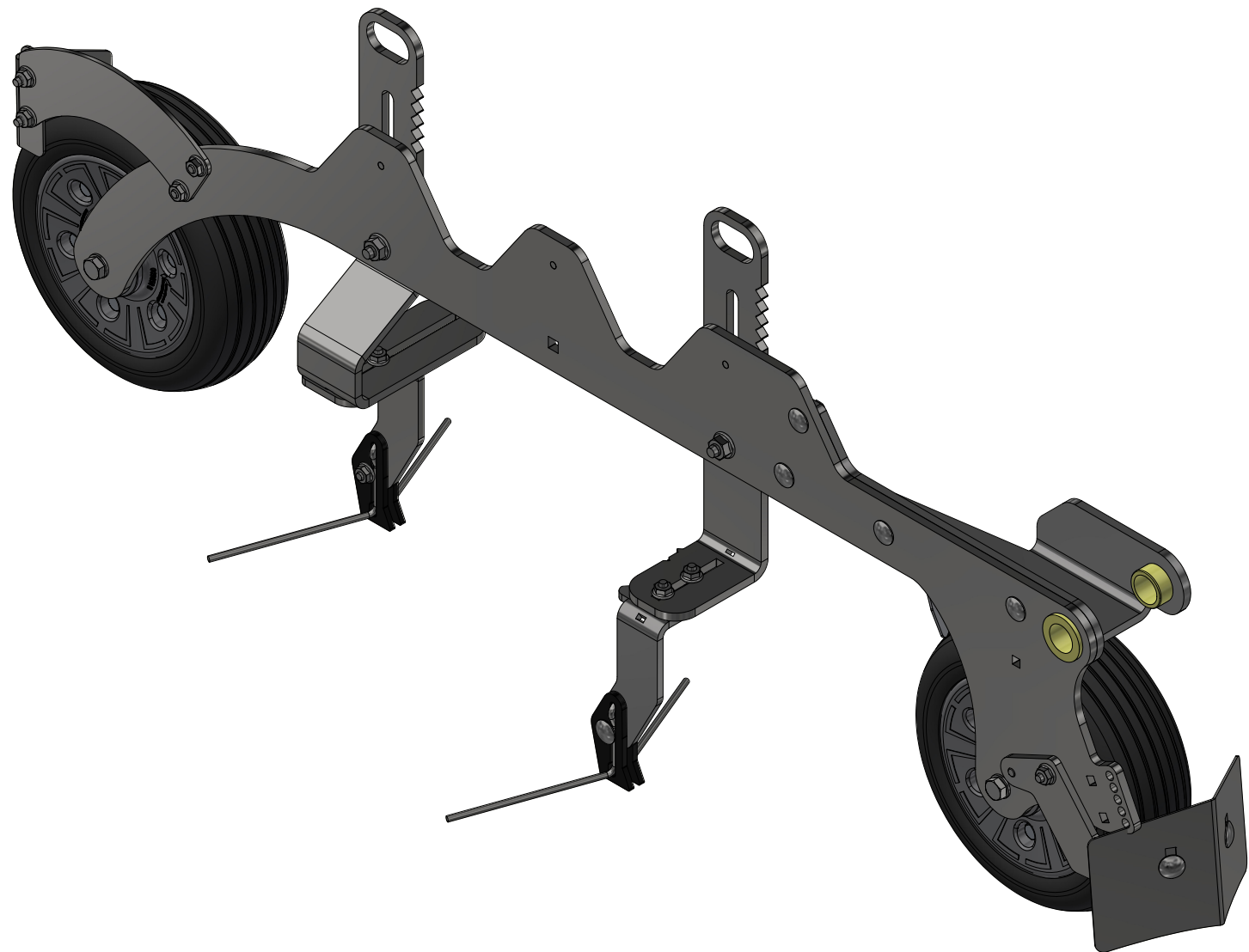
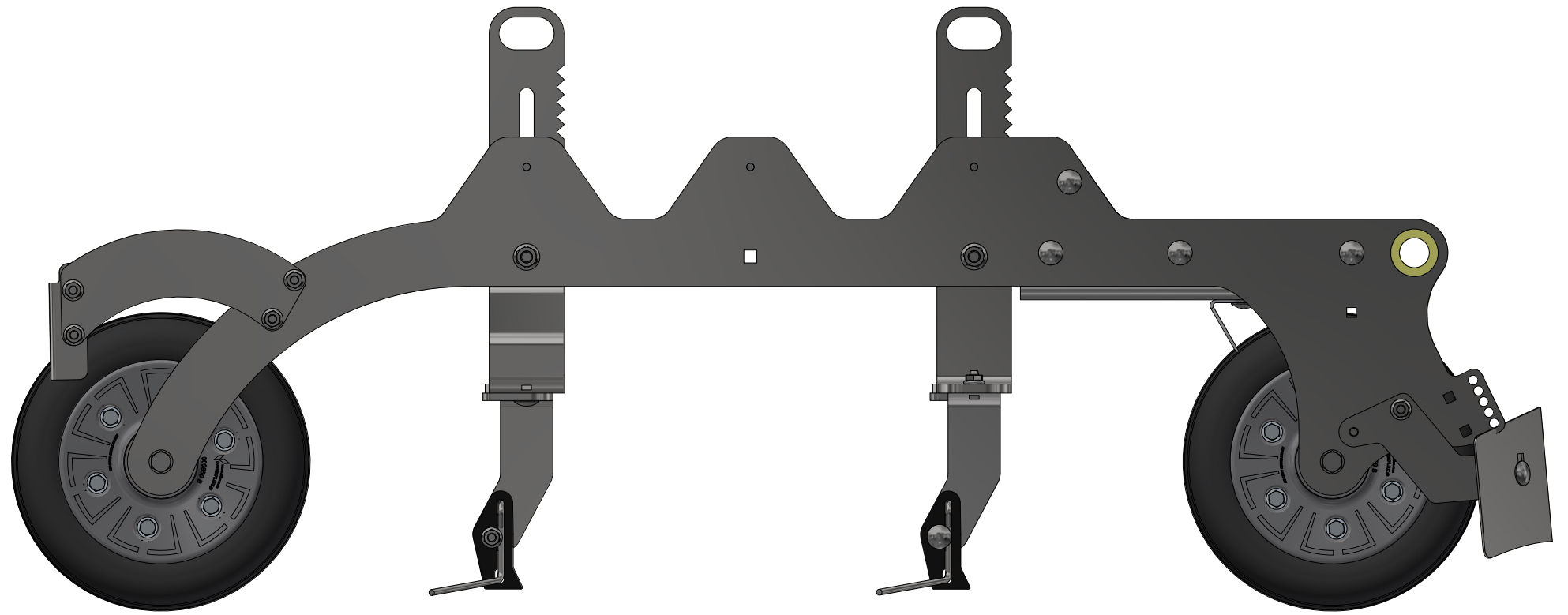
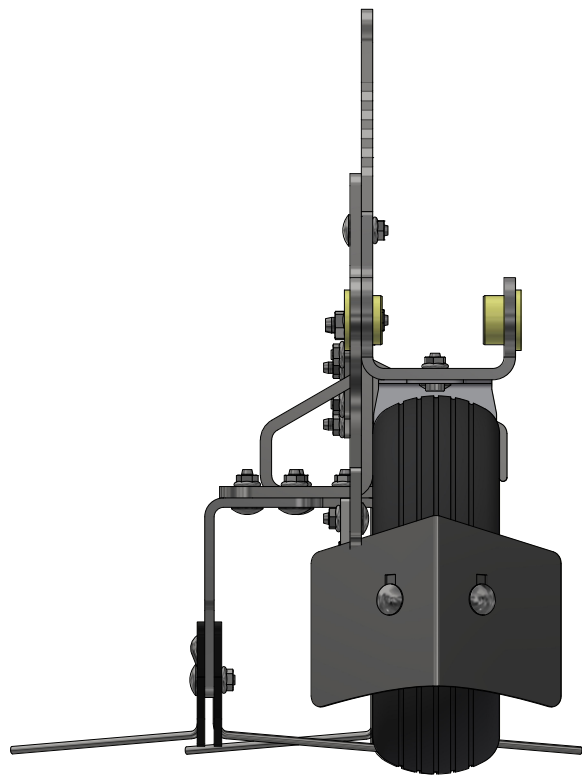
PARTS LIST				
ITEM	QTY	PART NUMBER	REV. NR.	DESCRIPTION
1	1	102012077	R03	TRAILER SPRING BRACKET
2	1	102012075	R03	TRAILER MOUNTING BRACKET
3	1	102012080	R02	TRAILER LIFTING BRACKET
4	1	102012148	R01	TRAILER SPRING LOCKING PLATE
5	1	102012081	R01	TRAILER CONNECTING ROD
6	2	102012076	R00	SHAFT FOR TRAILER MOUNT
7	2	931081204		DIN 931 HEX HEAD M8X120MM A2
8	2	125A084		DIN 125A WASHER M8 A2
9	1	969204		HITCH PIN 2 MM A2
10	2	6923084		DIN 6923 FLANGE NUT M8 A2
11	1	JFM-2023-07		SLEEVE BEARING WITH FLANGE, D1 20MM, D2 23MM, H 7MM
12	2	JFM-2026-20		SLEEVE BEARING WITH FLANGE, D1 20MM, D2 26MM, H 20MM

Copyright © 2018 Distribution and duplication of this document as well as use and communication of this content is not permitted, except if expressly authorized by FarmDroid ApS. Offenders will be liable for damages. All rights, including rights created by patent grant or registration of a utility model or design, are reserved to FarmDroid ApS.

Engineer: Ahmad Kliban
 ISO Projection: 
 Part Number: 102011024

FARMDROID
 Description: CONNECTION ROD ASSEMBLY

Scale: 1 : 2 [A3]	Weight: N/A	Rev. Nr.: R00	Date: 04-02-2022	Sheet: 1 / 1
-------------------	-------------	---------------	------------------	--------------



PARTS LIST				
ITEM	QTY	PART NUMBER	REV. NR.	DESCRIPTION
1	2	102012064	R03	SHAFT FOR FLEX WHEEL
2	1	102012078	R03	TRAILER ARM
3	1	102012097	R02	FRONT SUPPORT ARM FOR PASSIVE TRAILER
4	1	102012095	R02	BACK SUPPORT ARM FOR PASSIVE TRAILER
5	1	102011031	R01	WEEDING WIRE ASSEMBLY RIGHT
6	1	102011030	R01	WEEDING WIRE ASSEMBLY LEFT
7	1	102012136	R01	FRONT WHEEL SCRAPER
8	1	102012110	R01	PLOW V2
9	1	102012169	R00	BACK WHEEL SCRAPER STRAIGHT
10	1	102012167	R00	EXTENSION BRACKET FOR BACK WHEEL SCRAPER
11	1	102012142	R00	SUPPORT BRACKET FOR PASSIVE TRAILER ARM V2
12	1	102012109	R00	SUPPORT BRACKET FOR PLOW
13	4	603060204		DIN 603 MUSHROOM HEAD M6X20MM A2
14	2	JFM-2026-20		SLEEVE BEARING WITH FLANGE, D1 20MM, D2 26MM, H 20MM
15	5	603060204		DIN 603 MUSHROOM HEAD M6x20 A2
16	2	6923S084		DIN 6923S FLANGE NUT M8 A2
17	16	6923S064		DIN 6923S Flange Nut M6 A2
18	2	603080254		DIN 603 MUSHROOM HEAD M8X25MM A2
19	7	603060164		DIN 603 MUSHROOM HEAD M6x16 A2
20	2	125A084		DIN 125A WASHER M8 A2
21	2	931081004		DIN 931 HEX HEAD M8X100MM A2
22	5	912060064		DIN 912 HEX HEAD M6X6MM A2
23	2	985V084		DIN 985 LOCK NUT M8 A2
24	4	090219200084000		WASHER M8 8,4X24X2
25	2	FX.200.67.P143INOX		FLEX WHEEL 200X67MM, STAINLESS STEEL BEARING, D20MM SHAFT

Copyright © 2018 Distribution and duplication of this document as well as use and communication of this content is not permitted, except if expressly authorized by FarmDroid ApS. Offenders will be liable for damages. All rights, including rights created by patent grant or registration of a utility model or design, are reserved to FarmDroid ApS.

Engineer:
Ahmad Kliban



Part Number:
102011025



Description:
PASSIVE TRAILER ASSEMBLY

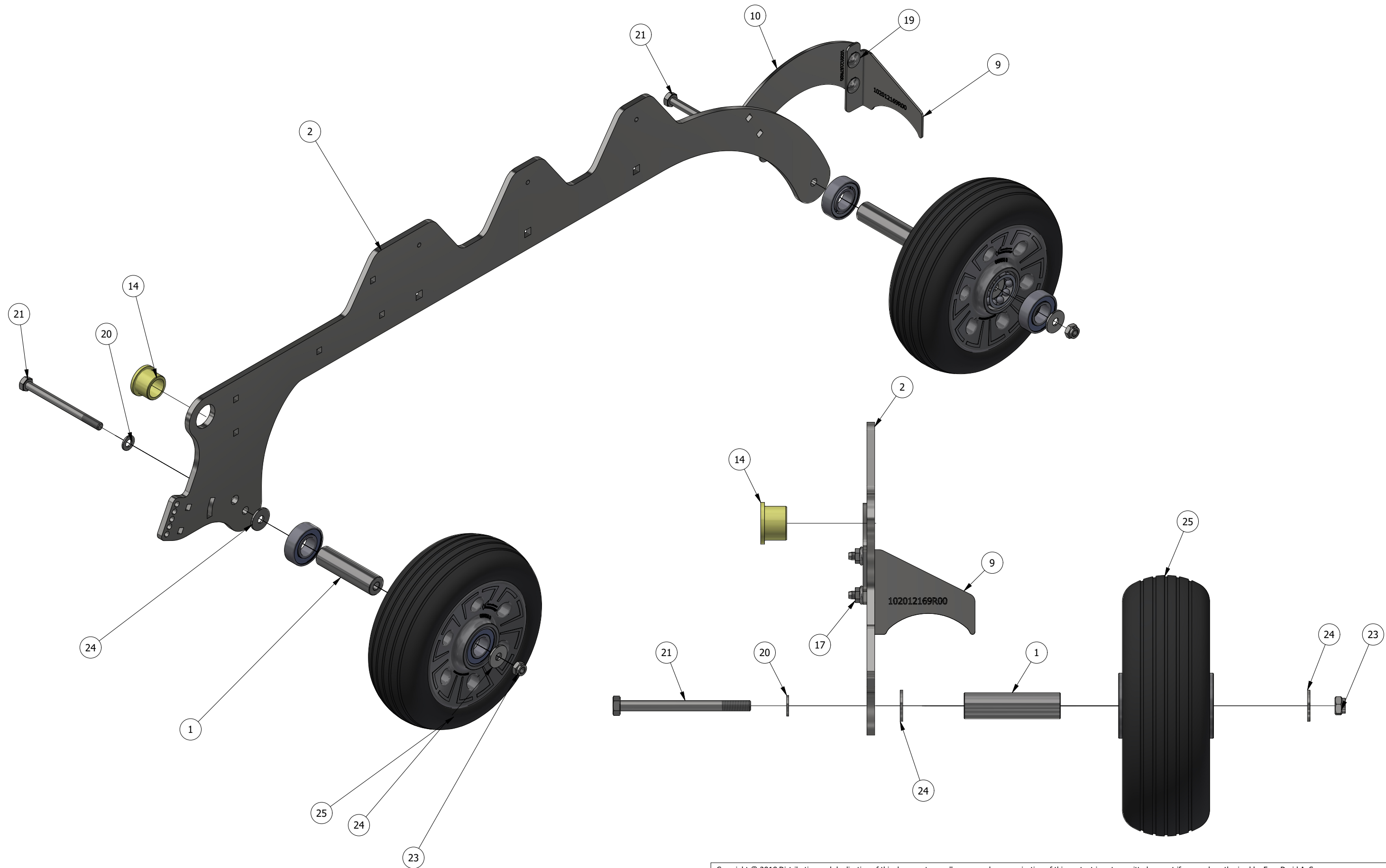
Scale:
1 : 4 [A3]

Weight:
N/A

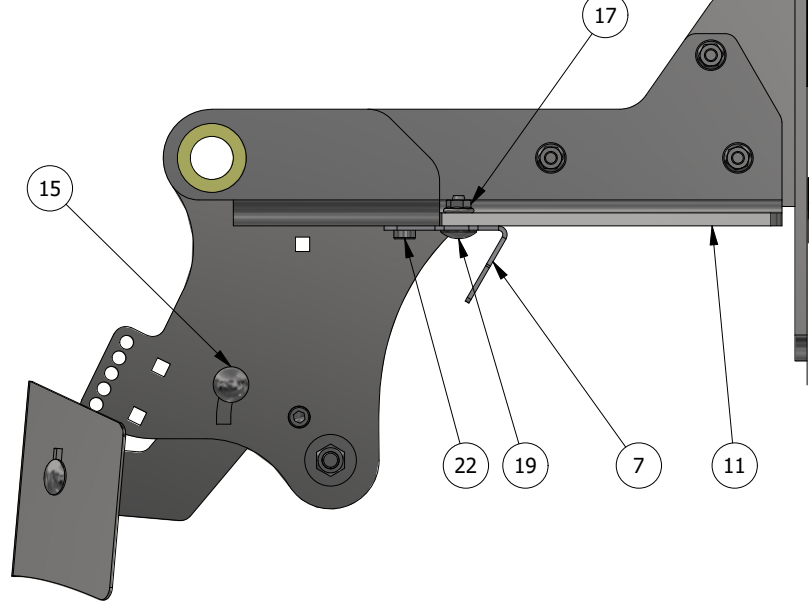
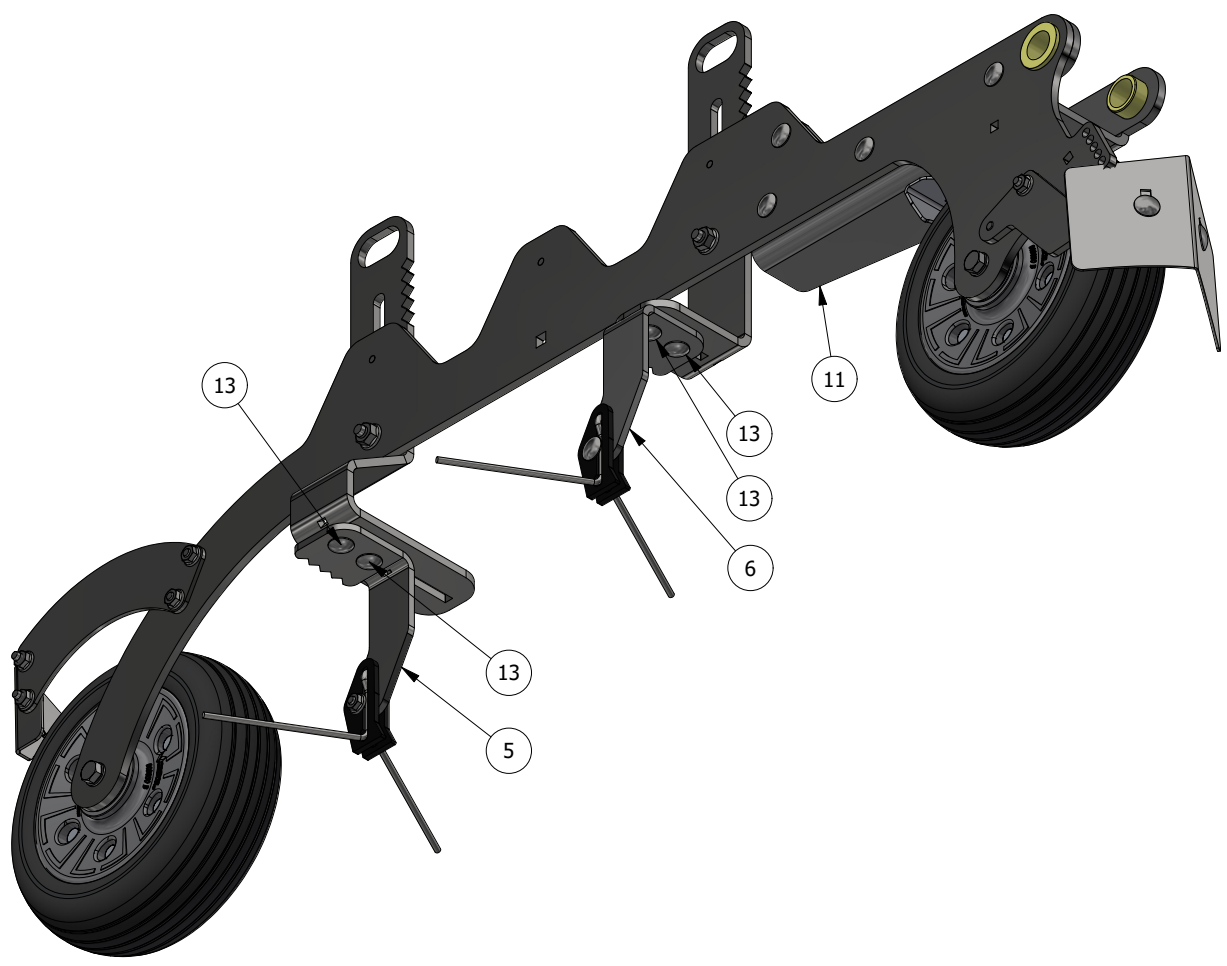
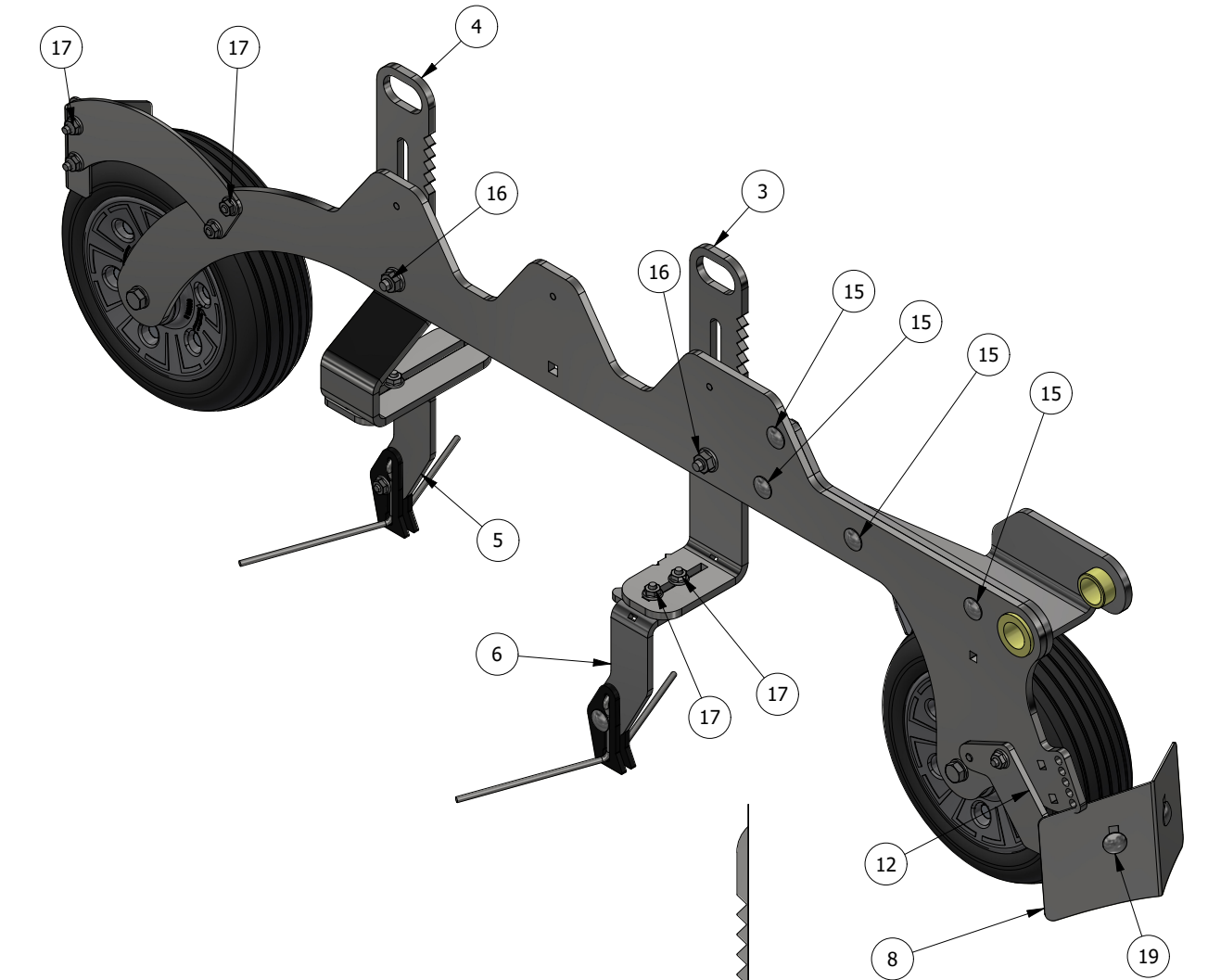
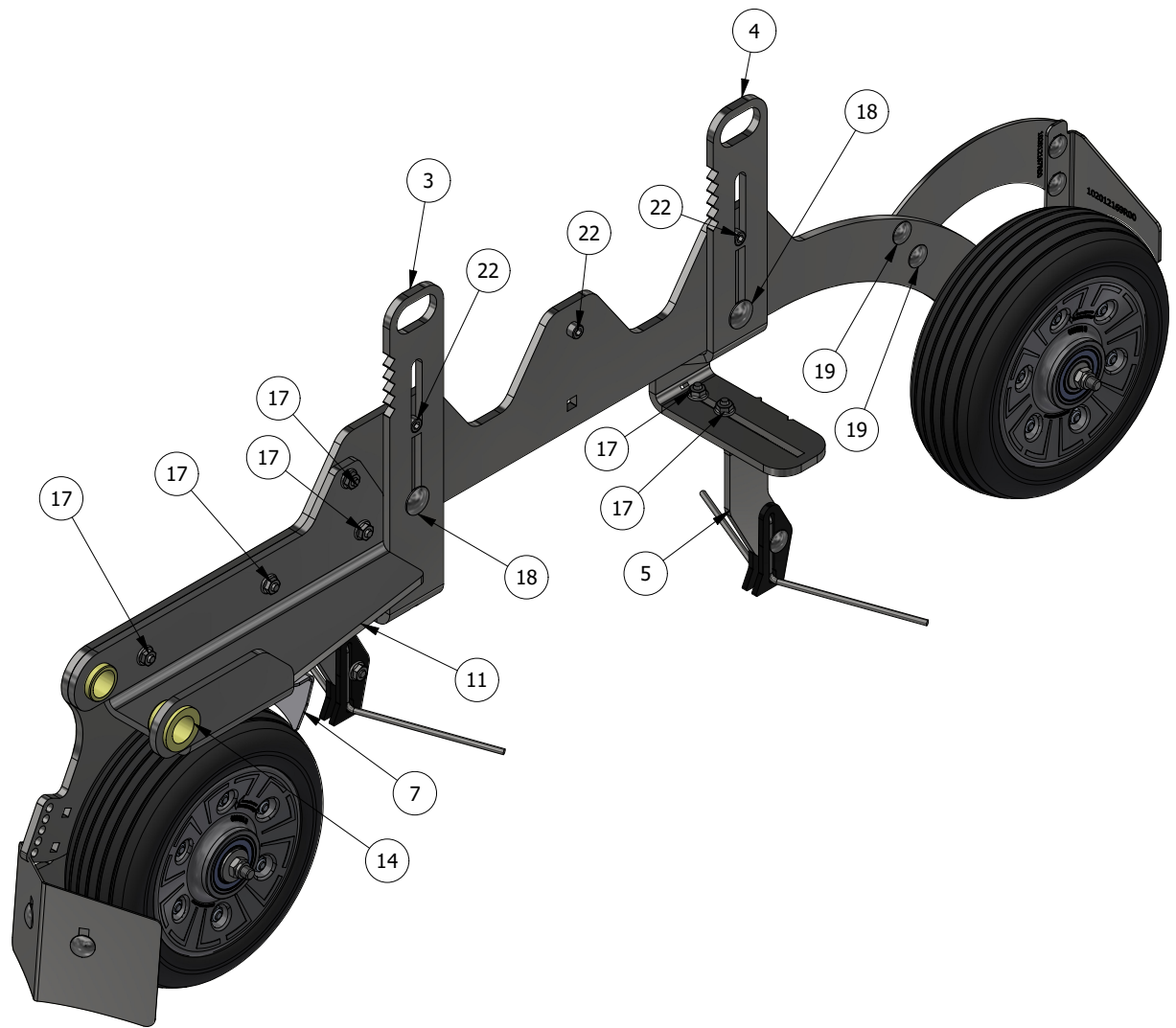
Rev. Nr.:
R02

Date:
08-12-2020

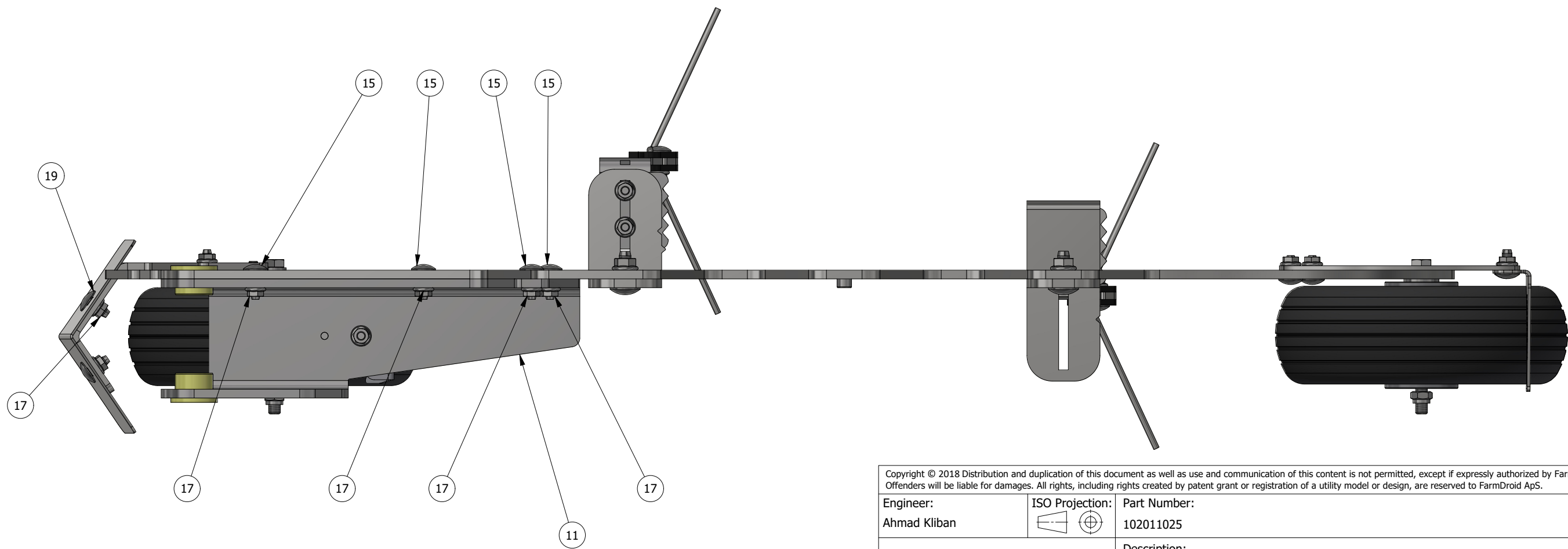
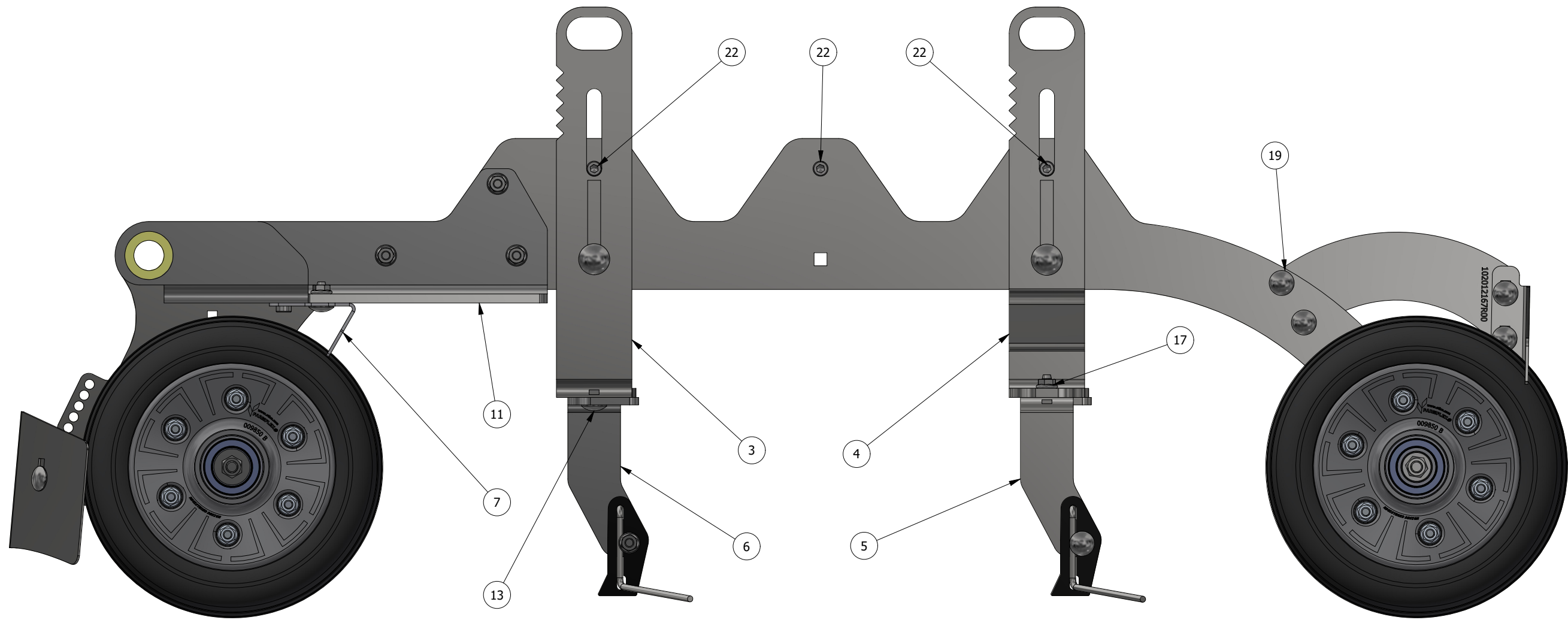
Sheet:
1 / 4



Copyright © 2018 Distribution and duplication of this document as well as use and communication of this content is not permitted, except if expressly authorized by FarmDroid ApS. Offenders will be liable for damages. All rights, including rights created by patent grant or registration of a utility model or design, are reserved to FarmDroid ApS.				
Engineer: Ahmad Kliban	ISO Projection: 	Part Number: 102011025		
		Description: PASSIVE TRAILER ASSEMBLY		
		Scale: 1 : 3,5 [A3]	Weight: N/A	Rev. Nr.: R02
			Sheet: 2 / 4	



Copyright © 2018 Distribution and duplication of this document as well as use and communication of this content is not permitted, except if expressly authorized by FarmDroid ApS. Offenders will be liable for damages. All rights, including rights created by patent grant or registration of a utility model or design, are reserved to FarmDroid ApS.				
Engineer: Ahmad Kliban	ISO Projection: 	Part Number: 102011025		
		Description: PASSIVE TRAILER ASSEMBLY		
		Scale: 1 : 4,75 [A3]	Weight: N/A	Rev. Nr.: R02

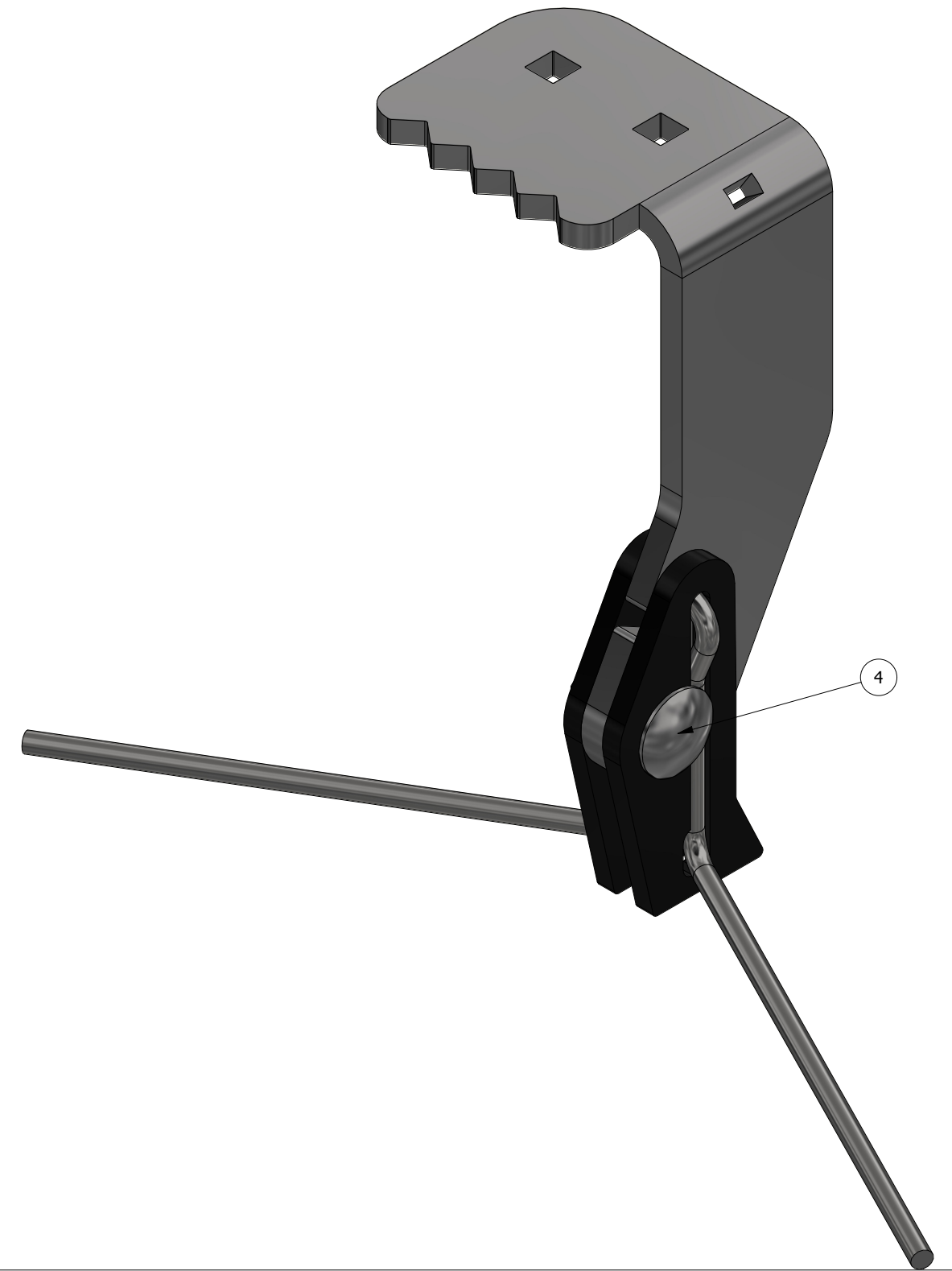
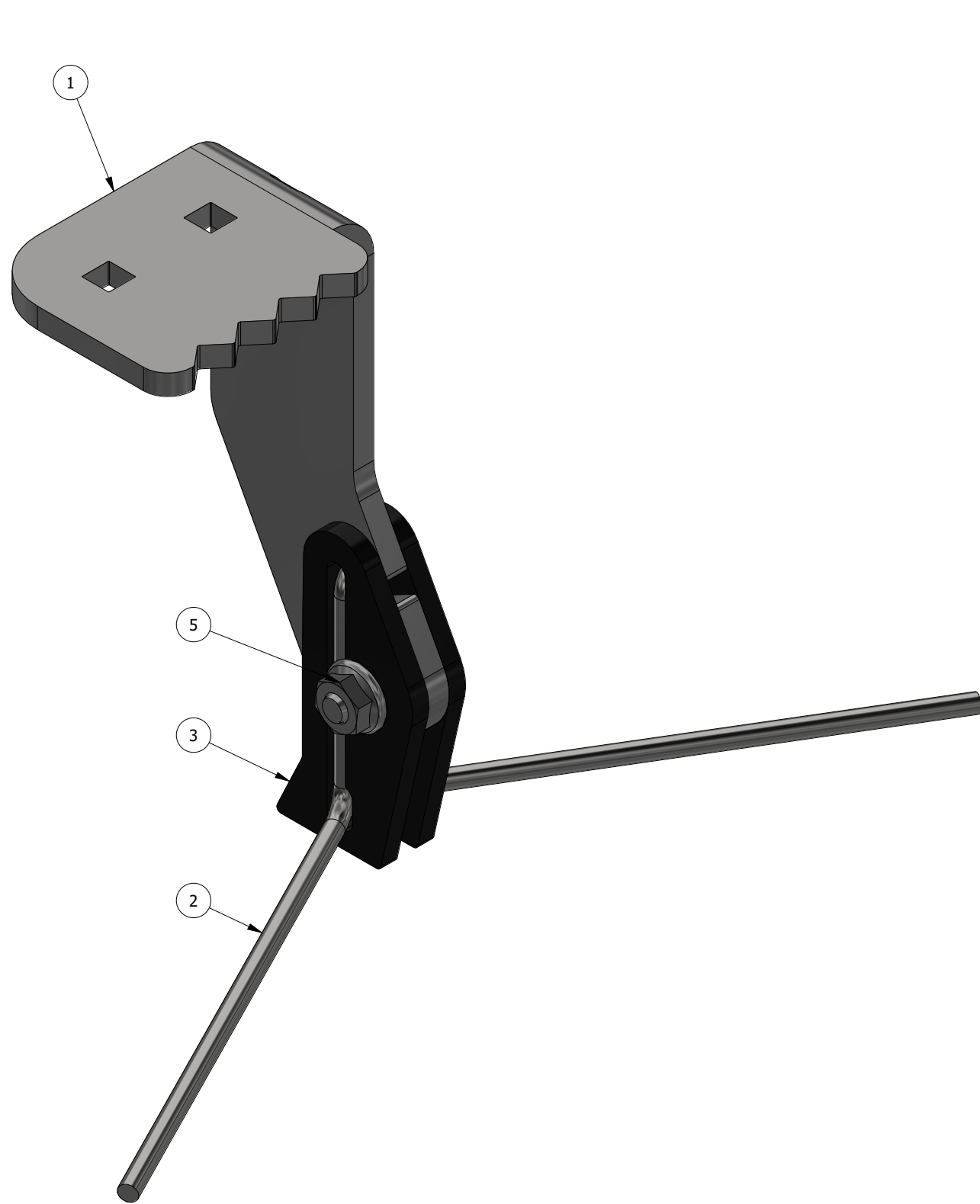


Copyright © 2018 Distribution and duplication of this document as well as use and communication of this content is not permitted, except if expressly authorized by FarmDroid ApS. Offenders will be liable for damages. All rights, including rights created by patent grant or registration of a utility model or design, are reserved to FarmDroid ApS.

Engineer: Ahmad Kliban	ISO Projection: 	Part Number: 102011025
---------------------------	---------------------	---------------------------

FARMDROID	Description: PASSIVE TRAILER ASSEMBLY
------------------	------------------------------------------

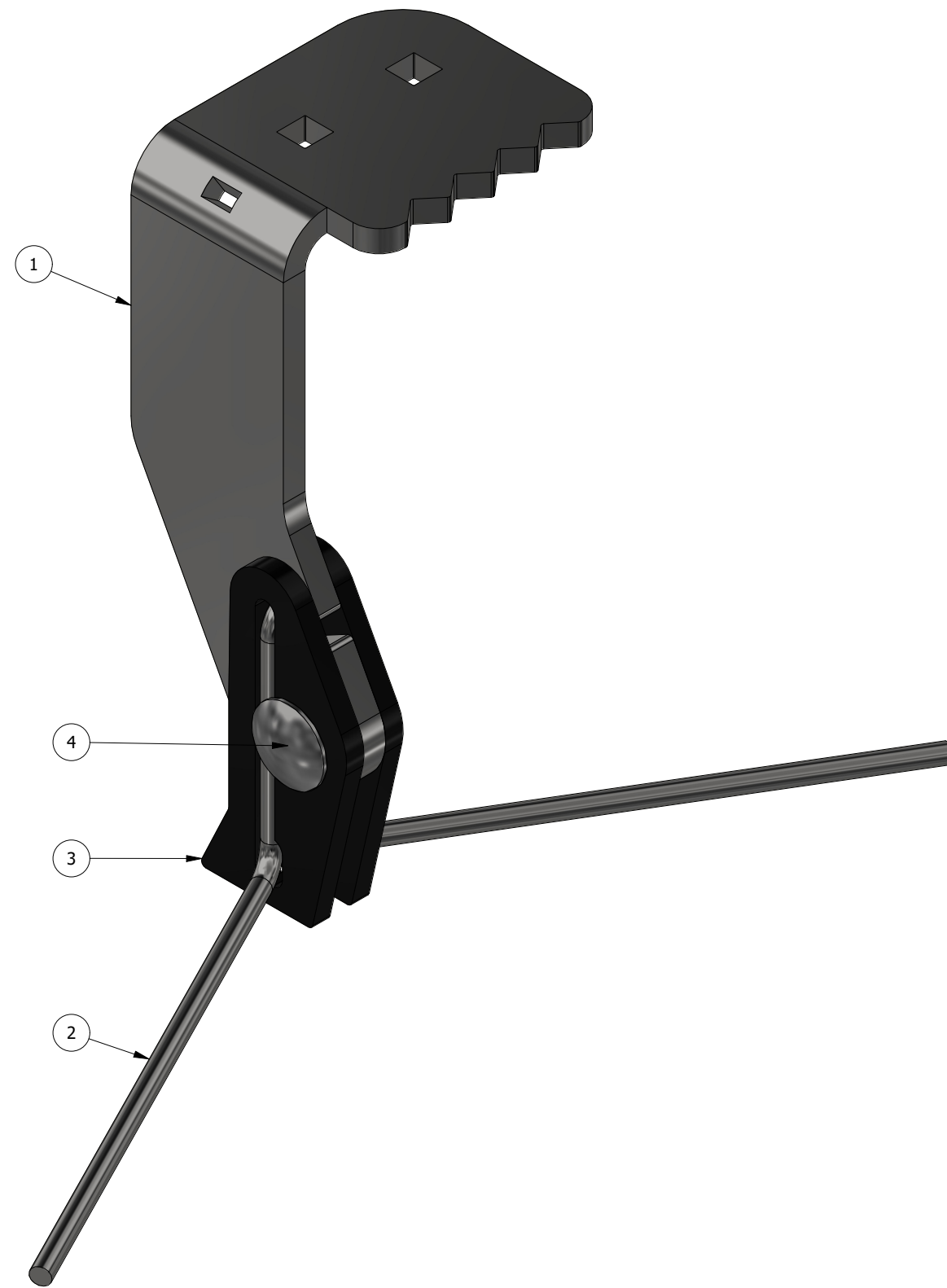
Scale: 1 : 3 [A3]	Weight: N/A	Rev. Nr.: R02	Date: 08-12-2020	Sheet: 4 / 4
----------------------	----------------	------------------	---------------------	-----------------



PARTS LIST				
ITEM	QTY	PART NUMBER	REV. NR.	DESCRIPTION
1	1	102012093	R02	SUPPORT FOR WEEDING WIRE LEFT
2	1	102012123	R01	4MM WEEDING WIRE, 206MM WIDE, 4MM SPACING, D4MM WIRE, CARBON STEEL, 155
3	2	102012131	R01	LOCKING PLATE FOR SPRING CLEANER 4 MM
4	1	603060204		DIN 603 MUSHROOM HEAD M6x20 A2
5	1	6923S064		DIN 6923S Flange Nut M6 A2

Copyright © 2018 Distribution and duplication of this document as well as use and communication of this content is not permitted, except if expressly authorized by FarmDroid ApS. Offenders will be liable for damages. All rights, including rights created by patent grant or registration of a utility model or design, are reserved to FarmDroid ApS.

Engineer: Ahmad Kliban	ISO Projection: 	Part Number: 102011030
Description: WEEDING WIRE ASSEMBLY LEFT		
Scale: 1 : 1 [A3]	Weight: 0,35 kg	Rev. Nr.: R01
Date: 07-02-2022	Sheet: 1 / 1	

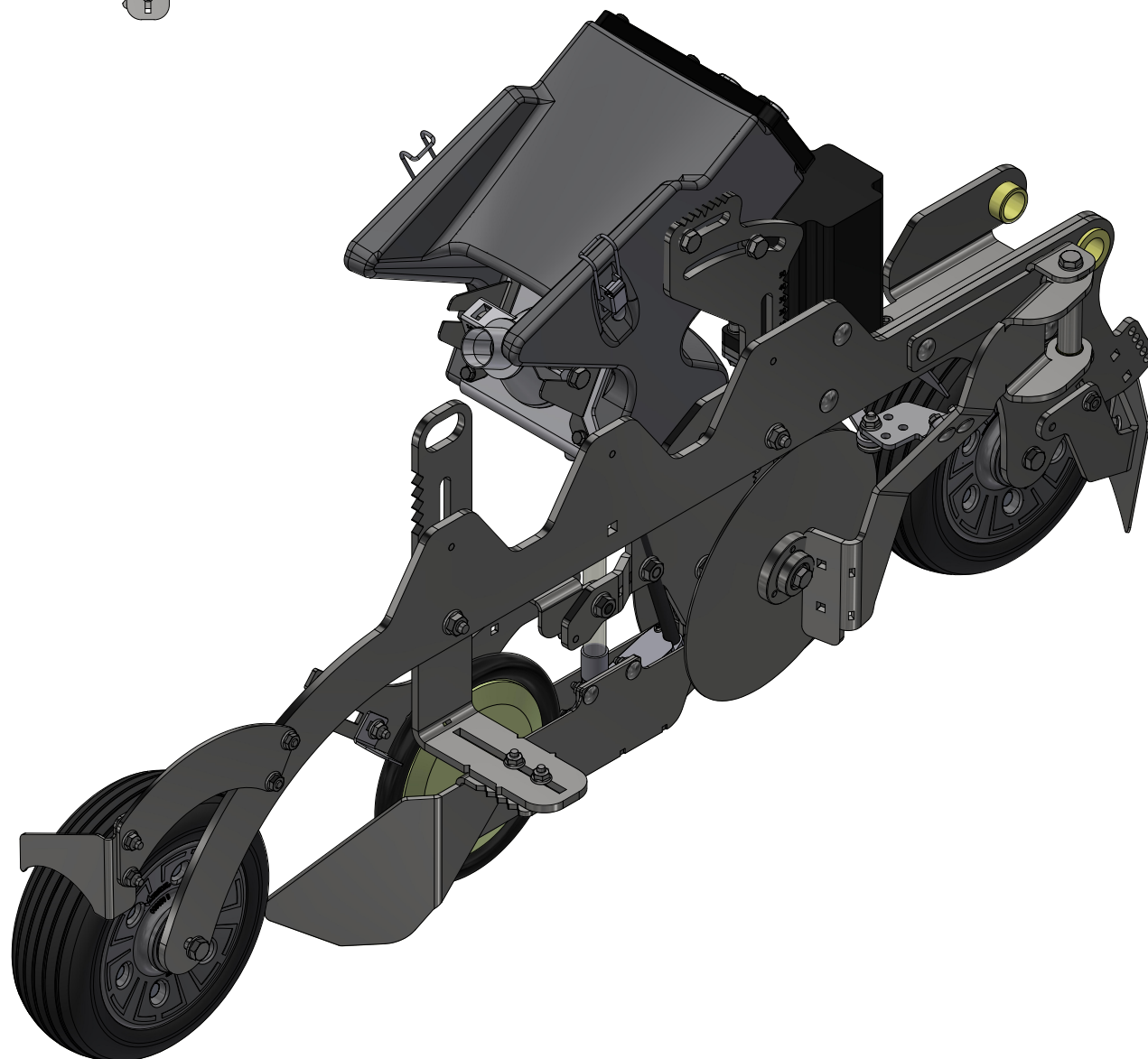
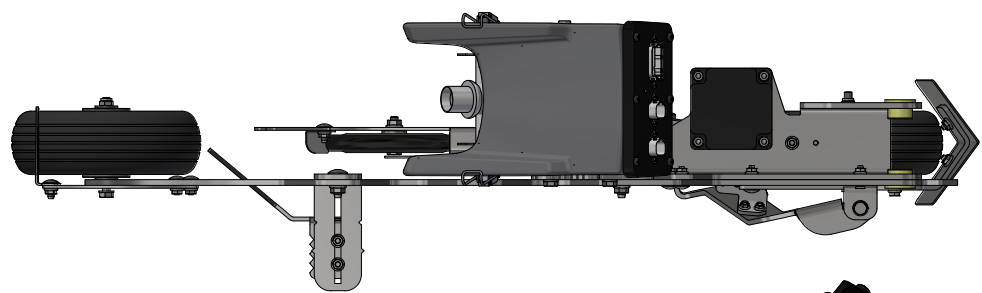
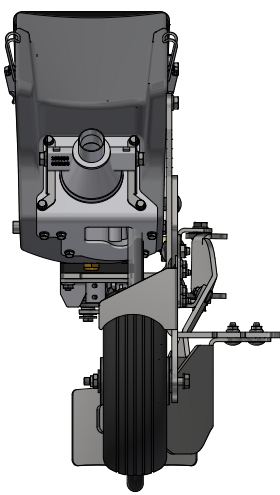
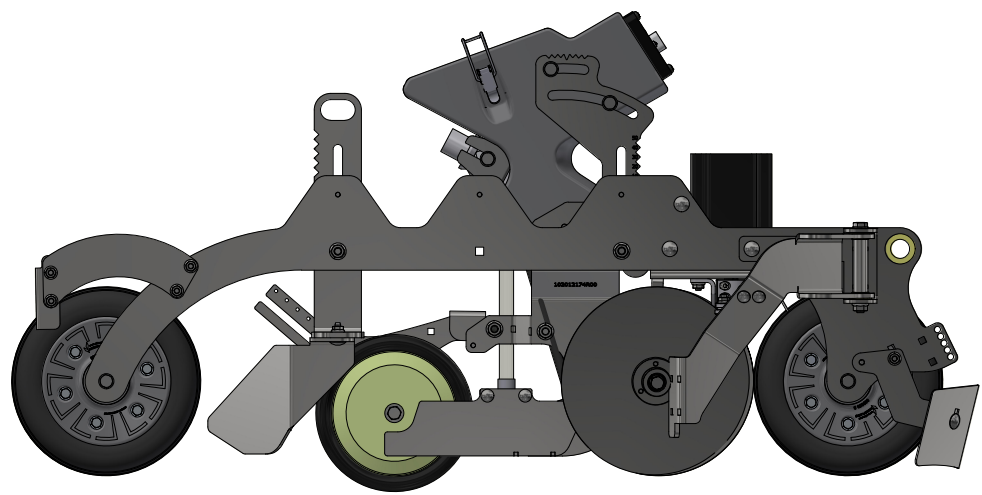


PARTS LIST				
ITEM	QTY	PART NUMBER	REV. NR.	DESCRIPTION
1	1	102012092	R03	SUPPORT FOR WEEDING WIRE RIGHT
2	1	102012123	R01	4MM WEEDING WIRE, 206MM WIDE, 4MM SPACING, D4MM WIRE, CARBON STEEL, 155
3	2	102012131	R01	LOCKING PLATE FOR SPRING CLEANER 4 MM
4	1	603060204		DIN 603 MUSHROOM HEAD M6x20 A2
5	1	6923S064		DIN 6923S Flange Nut M6 A2

Copyright © 2018 Distribution and duplication of this document as well as use and communication of this content is not permitted, except if expressly authorized by FarmDroid ApS. Offenders will be liable for damages. All rights, including rights created by patent grant or registration of a utility model or design, are reserved to FarmDroid ApS.

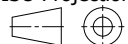
Engineer: Ahmad Kliban	ISO Projection: 	Part Number: 102011031
Description: WEEDING WIRE ASSEMBLY RIGHT		
Scale: 1 : 1 [A3]	Weight: 0,35 kg	Rev. Nr.: R01
Date: 07-02-2022	Sheet: 1 / 1	





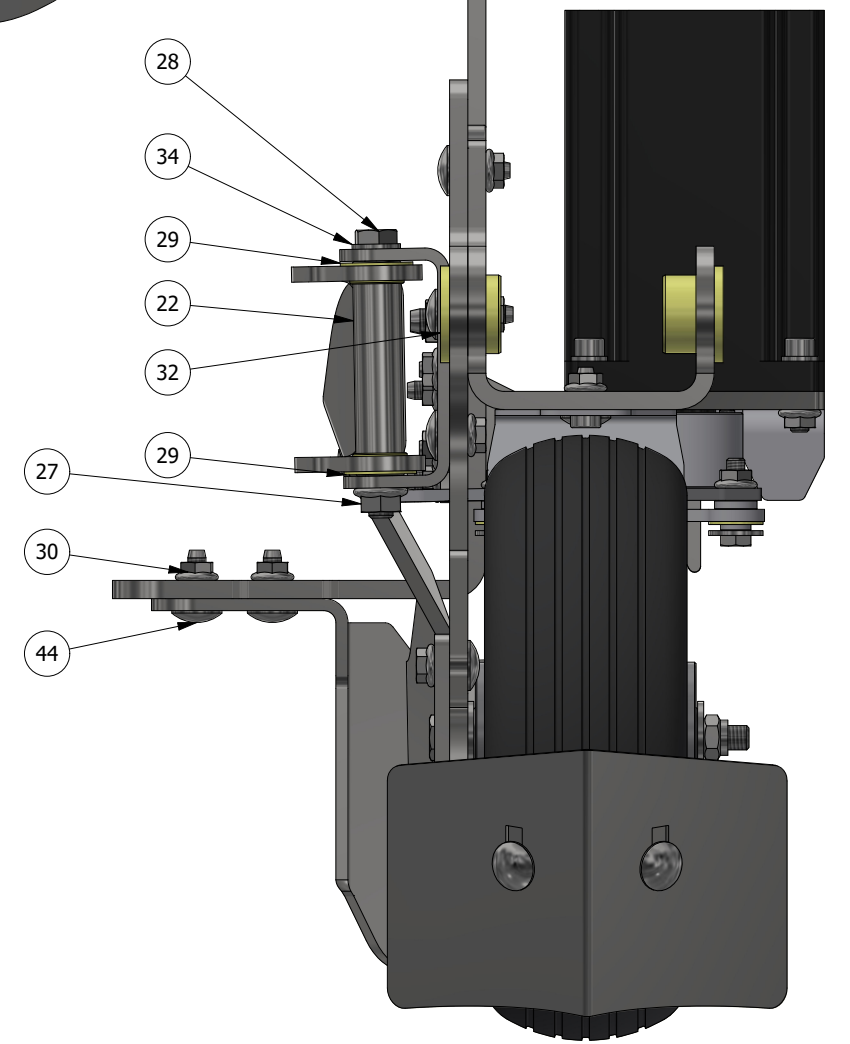
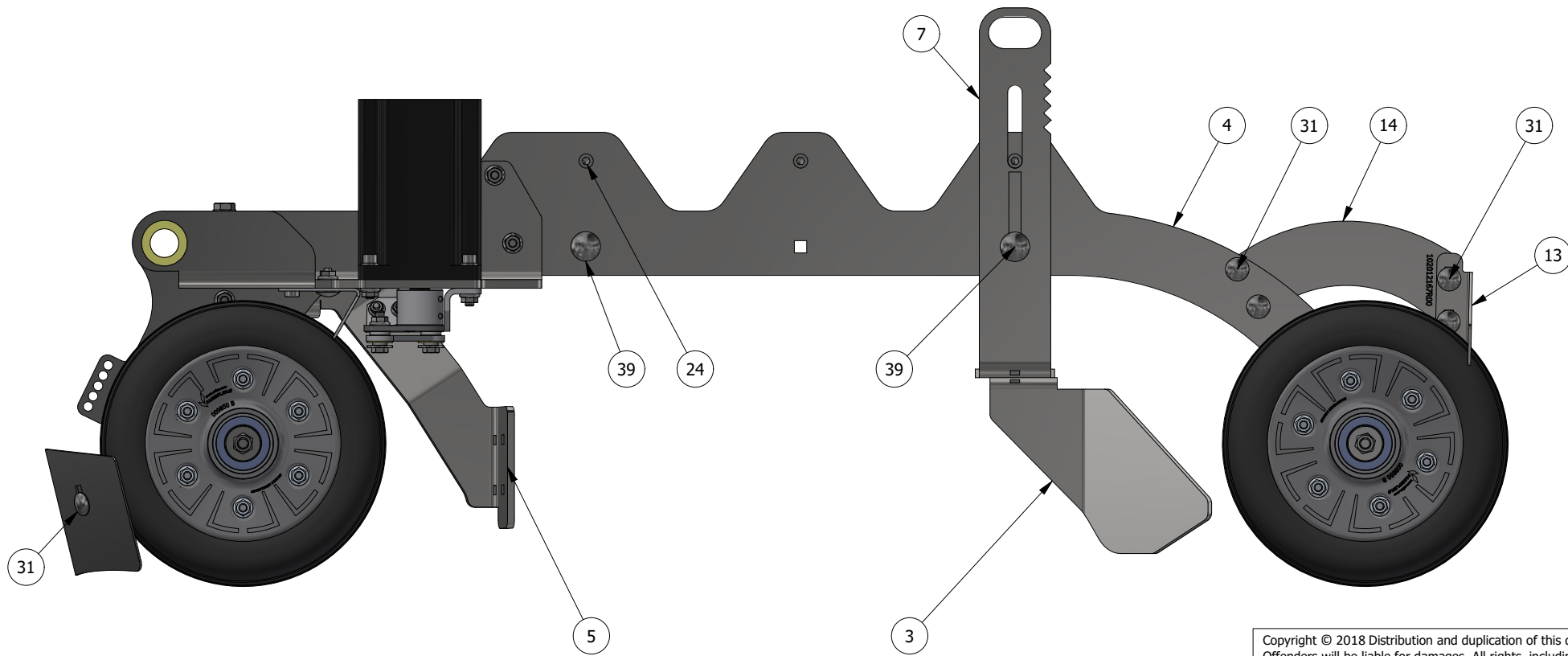
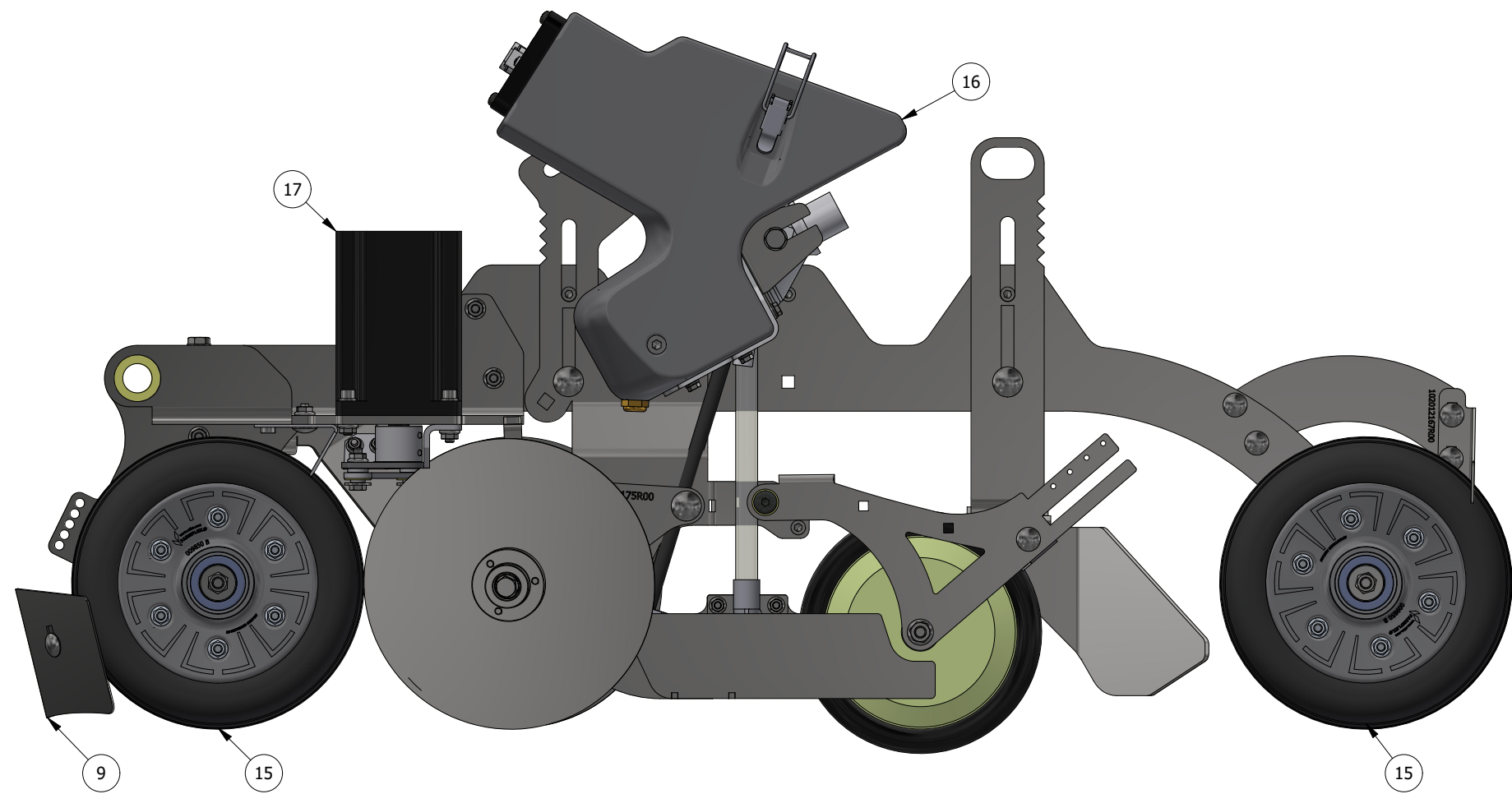
PARTS LIST				
ITEM	QTY	PART NUMBER	REV. NR.	DESCRIPTION
1	1	102012087	R05	TRAILER BRACKET FOR WEEDING ARM
2	2	102012064	R03	SHAFT FOR FLEX WHEEL
3	1	102012106	R03	SCRAPER V2.1
4	1	102012078	R03	TRAILER ARM
5	1	102012101	R02	WEEDING ARM
6	1	102012139	R02	CLEANING ARM JOINT BRACKET NEMA 34
7	1	102012094	R02	BACK SUPPORT ARM FOR ACTIVE TRAILER
8	1	102012134	R01	COUPLING FOR WEEDING MOTOR SHAFT 14 MM
9	1	102012110	R01	PLOW V2
10	1	102012136	R01	FRONT WHEEL SCRAPER
11	2	102012137	R01	BUSHING FOR CONNECTION ARM D10X10MM
12	1	102012135	R01	STEPPER CALIBRATION BRACKET NEMA 34
13	1	102012169	R00	BACK WHEEL SCRAPER STRAIGHT
14	1	102012167	R00	EXTENSION BRACKET FOR BACK WHEEL SCRAPER
15	2	FX 200.67 P143Inox	R00	FLEX WHEEL 200X67MM, STAINLESS STEEL BEARING, D20MM SHAFT
16	1	102011038	R00	SOWING ARM ASSEMBLY
17	1	102011043	R00	WEEDING MOTOR NEMA 34 W. CONNECTOR
18	2	JFM-1012-05	R00	JFM-1012-05
19	1	102012141	R00	WEEDING ARM CONNECTION ROD 10/85/4
20	1	102012133	R00	ARM FOR WEEDING MOTOR NEMA 34
21	1	102012109	R00	SUPPORT BRACKET FOR PLOW
22	1	102012129	R00	SHAFT FOR WEEDING ARM
23	1	102012138	R00	SUPPORT BRACKET FOR ACTIVE TRAILER ARM (NEMA 34 MOTOR)
24	5	912060064		DIN 912 HEX HEAD M6X6MM A2
25	2	6923S054		DIN 6923S FLANGE NUT M5 A2
26	2	603060254		DIN 603 MUSHROOM HEAD M6x25 A2
27	3	6923S084		DIN 6923S FLANGE NUT M8 A2
28	1	931080904		DIN 931 HEX HEAD M8X90MM A2
29	2	JFM-1618-06		Sleeve bearing with flange
30	21	6923S064		DIN 6923S Flange Nut M6 A2
31	9	603060164		DIN 603 MUSHROOM HEAD M6x16 A2
32	2	JFM-2026-20		SLEEVE BEARING WITH FLANGE, D1 20MM, D2 26MM, H 20MM
33	2	7991050304		DIN 7991 COUNTER SUNK BOLT M5x30MM A2
34	3	125A084		DIN 125A WASHER M8 A2
35	2	933060254		DIN 933 HEX HEAD M6X25MM A2
36	2	985V084		DIN 985 LOCK NUT M8 A2
37	2	9021064		WASHER DIN 9021 6,3X16X1,2 A2
38	4	090219200084000		WASHER M8 8,4X24X2
39	2	603080254		DIN 603 MUSHROOM HEAD M8X25MM A2
40	2	603050164		DIN 603 MUSHROOM HEAD M5x16 A2
41	2	912060254		DIN 912 HEX HEAD M6X25MM A2
42	2	912060304		DIN 912 HEX HEAD 6X30 A2
43	4	125A064		DIN 125A Washer M6 A2
44	5	603060204		DIN 603 MUSHROOM HEAD M6x20 A2
45	2	931081004		DIN 931 HEX HEAD M8X100MM A2
46	2	912050164		DIN 912 HEX HEAD M5X16MM A2

Copyright © 2018 Distribution and duplication of this document as well as use and communication of this content is not permitted, except if expressly authorized by FarmDroid ApS. Offenders will be liable for damages. All rights, including rights created by patent grant or registration of a utility model or design, are reserved to FarmDroid ApS.

Engineer: Ahmad Kliban
 ISO Projection: 
 Part Number: 102011037

FARMDROID
 Description: ACTIVE TRAILER ASSEMBLY V2.2

Scale: 1 : 8 [A3]	Weight: N/A	Rev. Nr.: R00	Date: 07-02-2022	Sheet: 1 / 4
-------------------	-------------	---------------	------------------	--------------



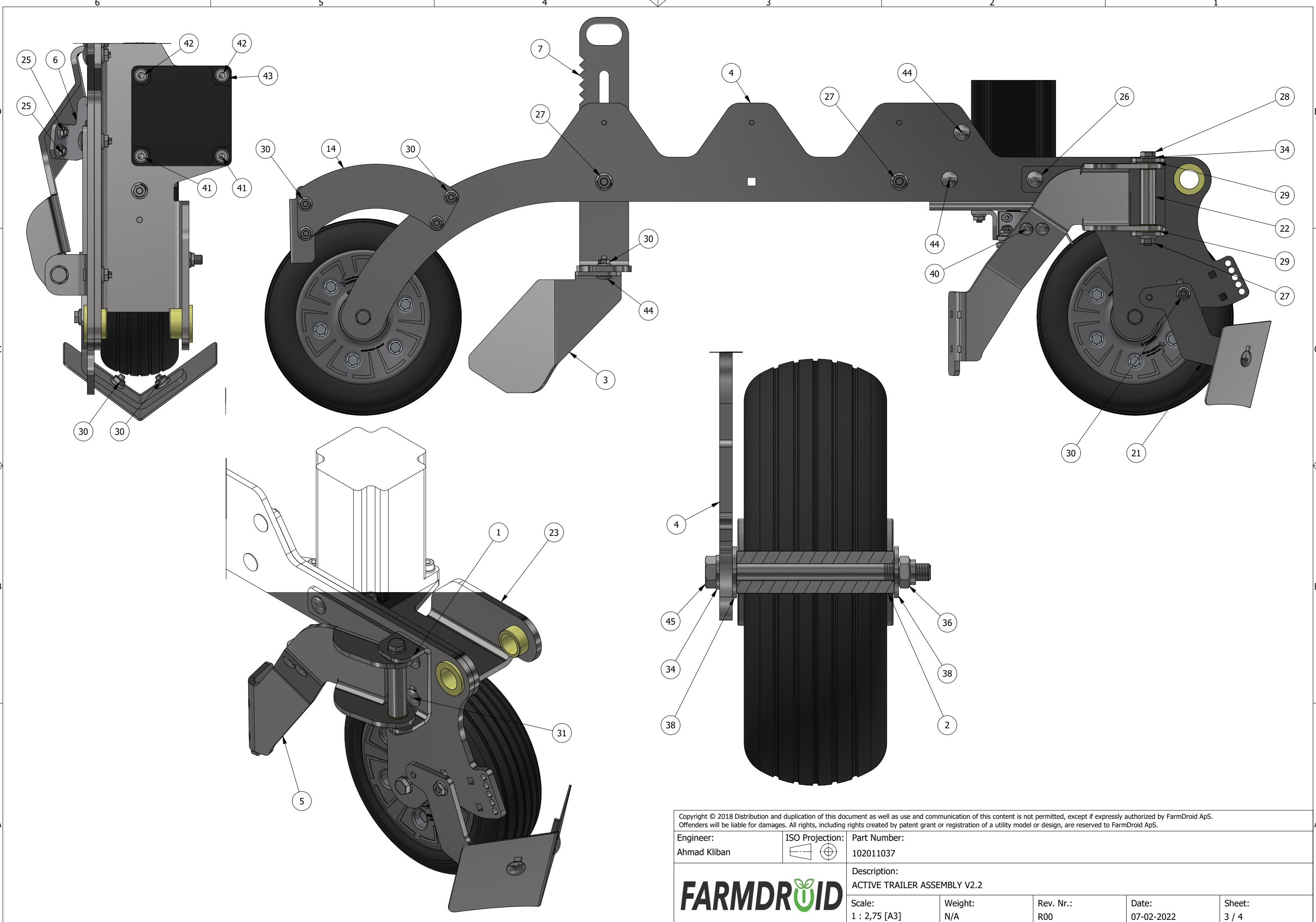
Copyright © 2018 Distribution and duplication of this document as well as use and communication of this content is not permitted, except if expressly authorized by FarmDroid ApS. Offenders will be liable for damages. All rights, including rights created by patent grant or registration of a utility model or design, are reserved to FarmDroid ApS.

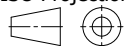

Engineer: Ahmad Kliban	ISO Projection: 	Part Number: 102011037
---------------------------	---------------------	---------------------------

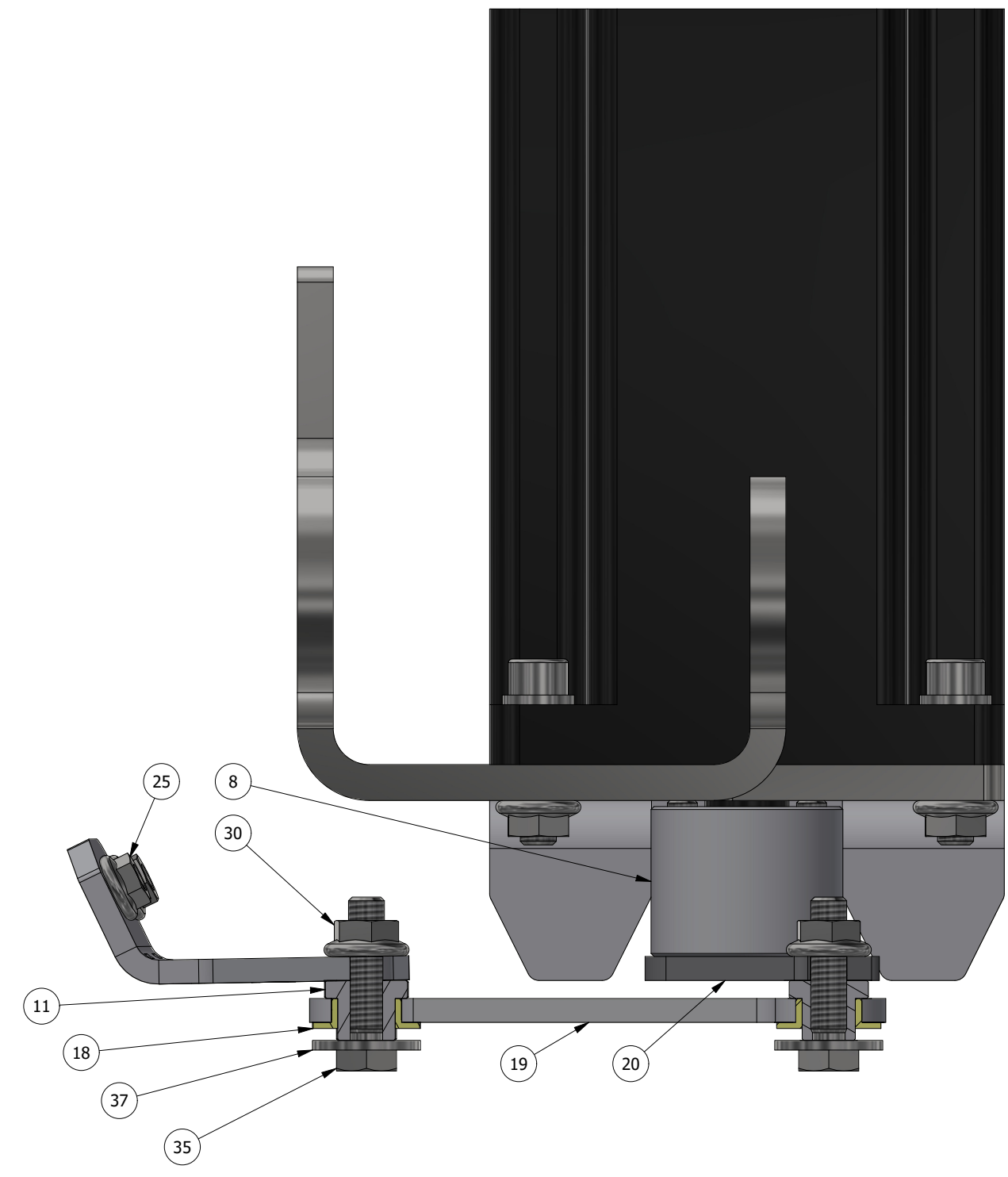
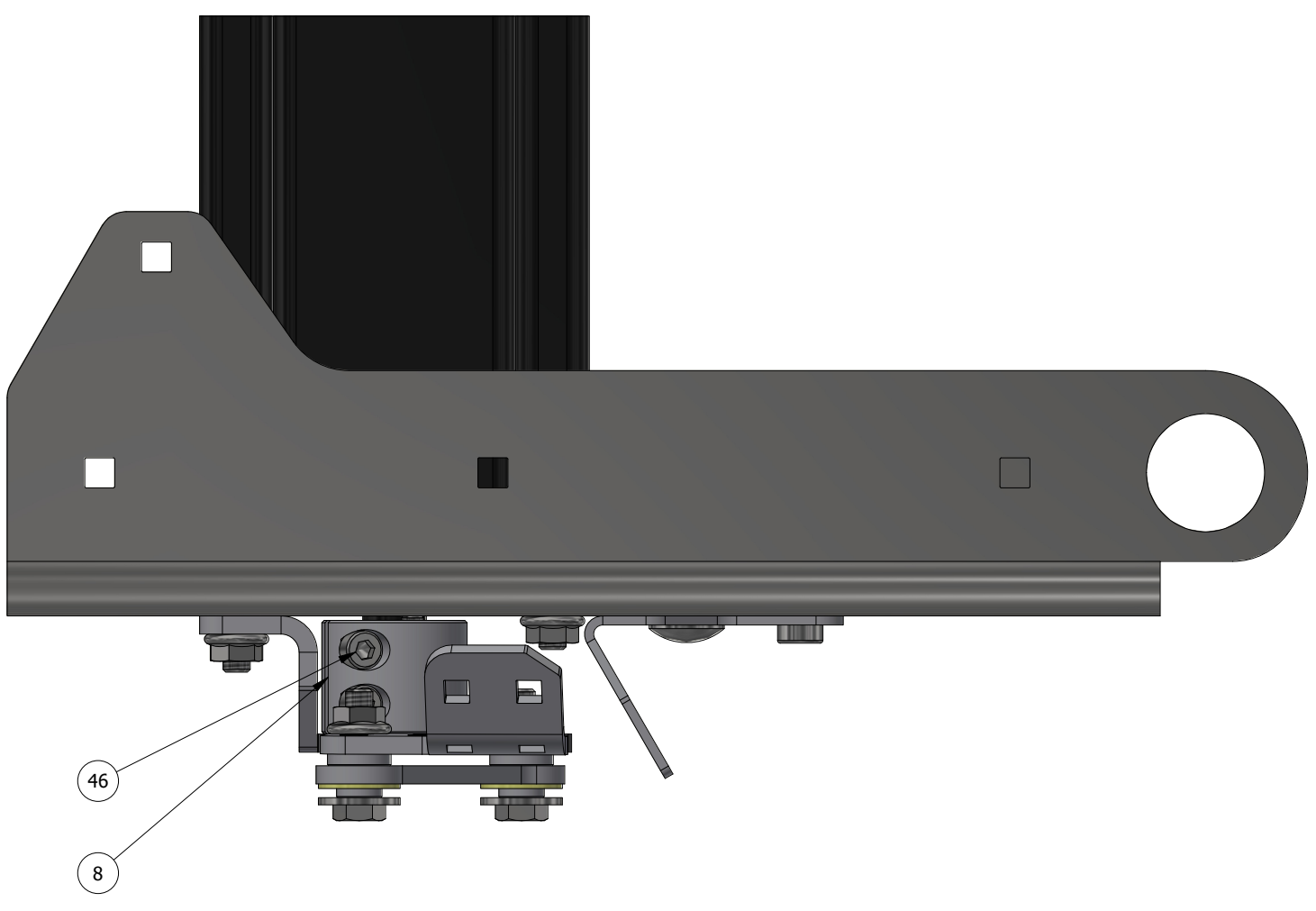
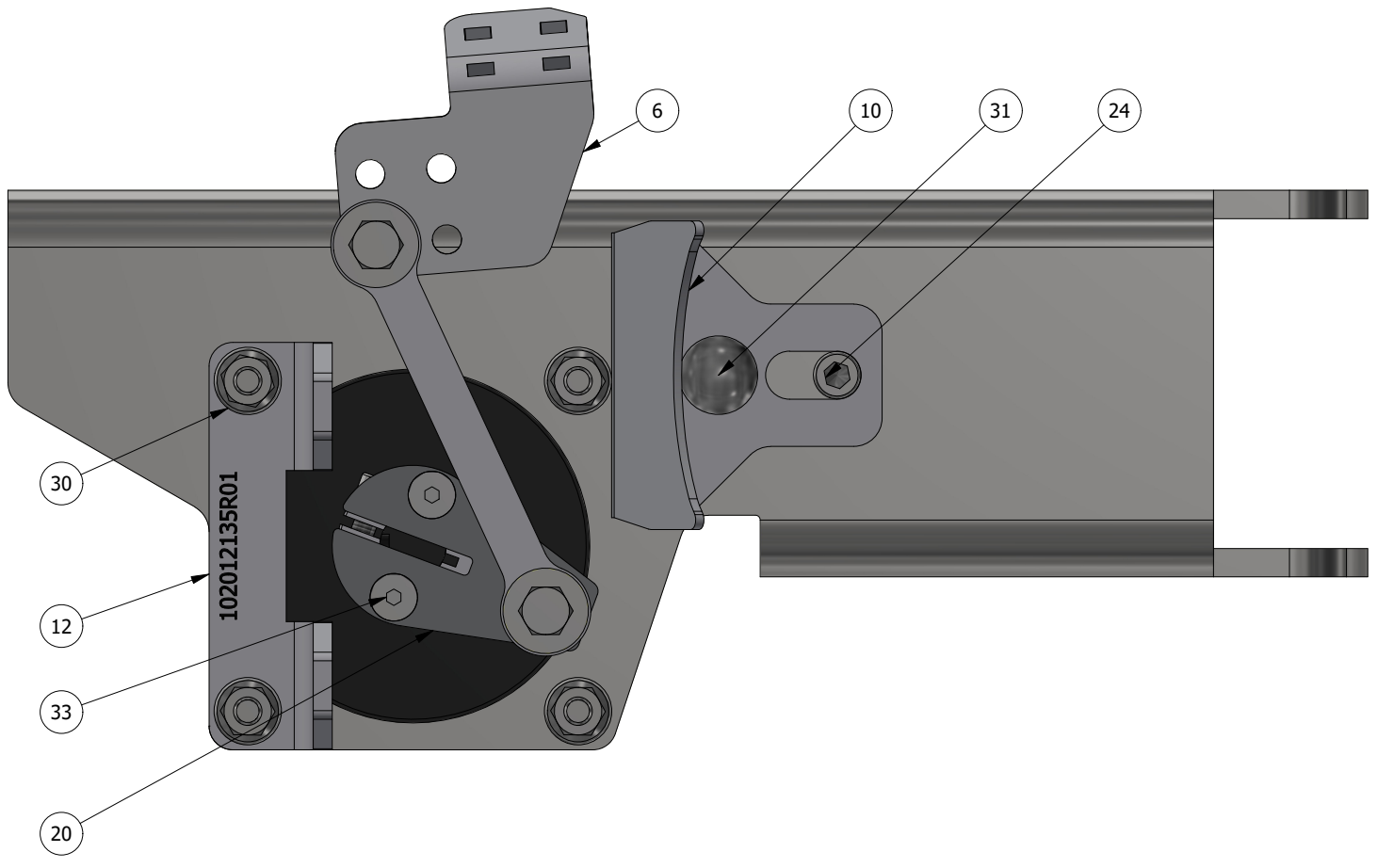


Description:
ACTIVE TRAILER ASSEMBLY V2.2

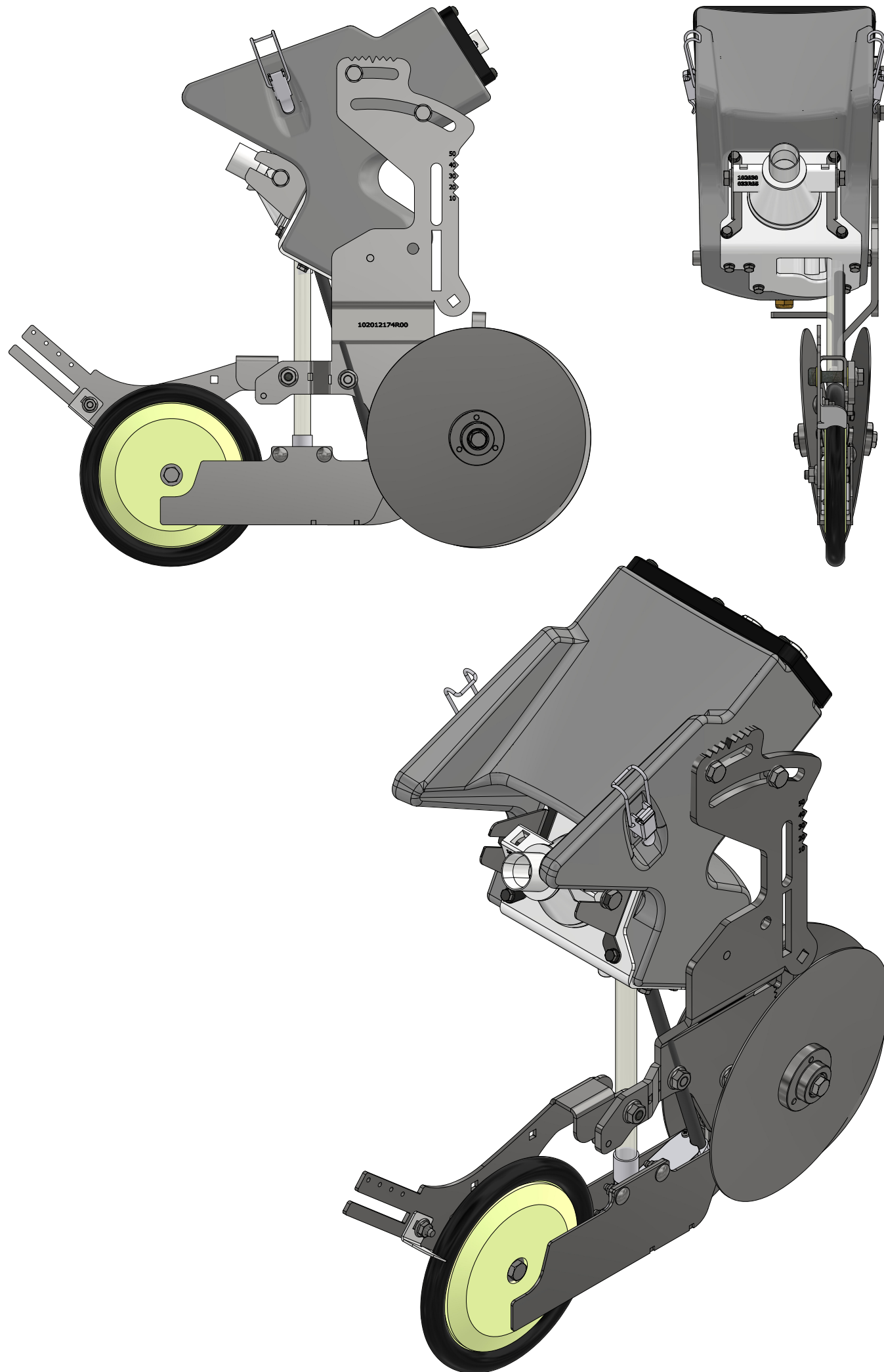
Scale: 1 : 4,25 [A3]	Weight: N/A	Rev. Nr.: R00	Date: 07-02-2022	Sheet: 2 / 4
-------------------------	----------------	------------------	---------------------	-----------------



Copyright © 2018 Distribution and duplication of this document as well as use and communication of this content is not permitted, except if expressly authorized by FarmDroid ApS. Offenders will be liable for damages. All rights, including rights created by patent grant or registration of a utility model or design, are reserved to FarmDroid ApS.					
Engineer: Ahmad Kliban	ISO Projection: 	Part Number: 102011037			
		Description: ACTIVE TRAILER ASSEMBLY V2.2	Rev. Nr.: R00	Date: 07-02-2022	Sheet: 3 / 4
		Scale: 1 : 2,75 [A3]	Weight: N/A		



Copyright © 2018 Distribution and duplication of this document as well as use and communication of this content is not permitted, except if expressly authorized by FarmDroid ApS. Offenders will be liable for damages. All rights, including rights created by patent grant or registration of a utility model or design, are reserved to FarmDroid ApS.					
Engineer: Ahmad Kliban	ISO Projection: 	Part Number: 102011037			
FARMDROID					
Description: ACTIVE TRAILER ASSEMBLY V2.2		Scale: 1 : 1,5 [A3]	Weight: N/A	Rev. Nr.: R00	Date: 07-02-2022
				Sheet: 4 / 4	



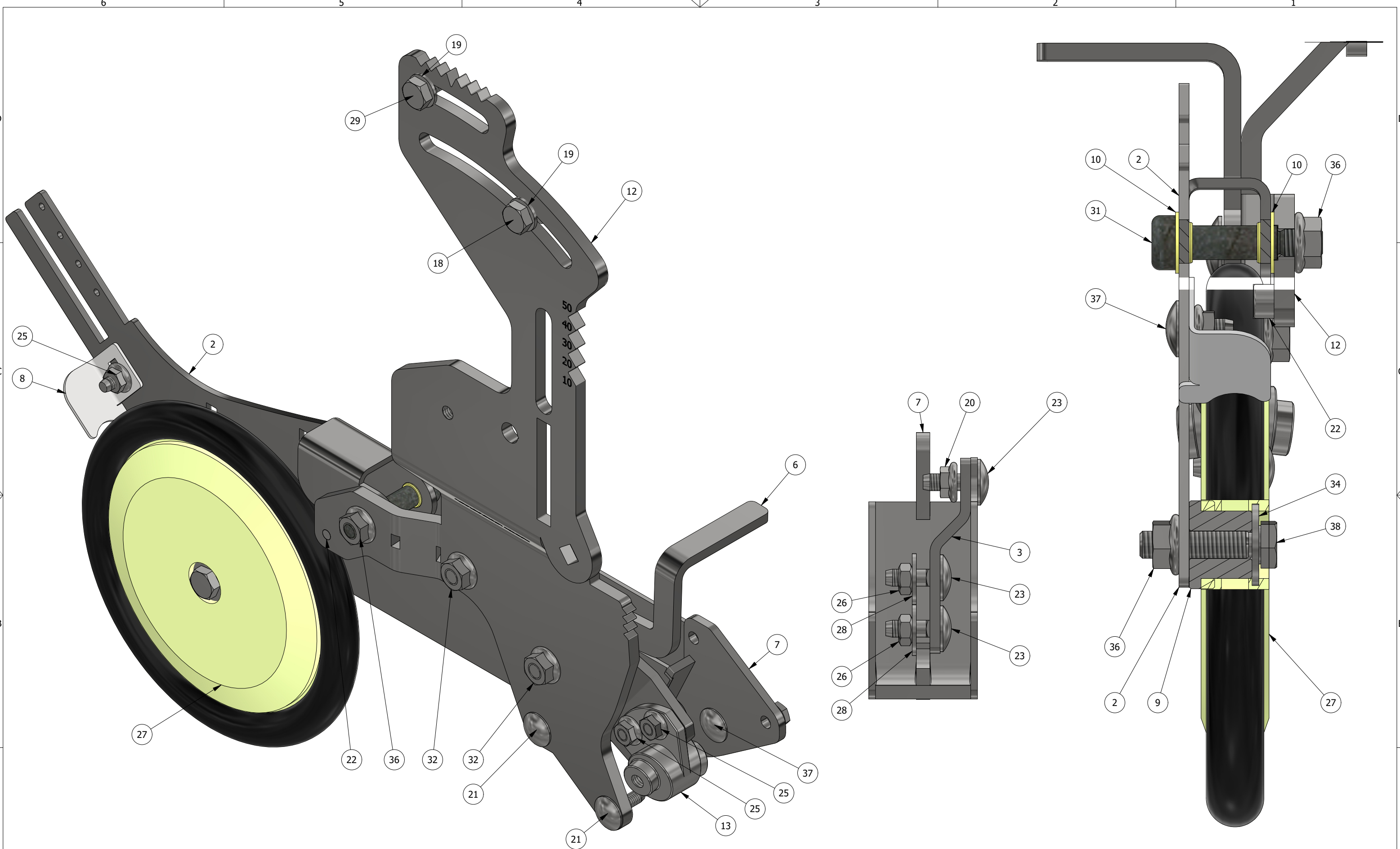
PARTS LIST				
ITEM	QTY	PART NUMBER	REV. NR.	DESCRIPTION
1	2	102012072	R03	ROLLER DISC BEARING SUPPORT
2	1	102012147	R02	ARM FOR SEED PRESSURE WHEEL V2
3	1	102012127	R01	BRACKET FOR SEED VALVE
4	2	102012107	R01	ROLLER DISC V2
5	2	20-522SS	R00	SPRING CLAW TOGGLE LATCH
6	1	102012175	R00	ROLLER DISC ADJUSTMENT BRACKET
7	1	102011051	R00	SEED COULTER CONSOLE
8	1	102012146	R00	SCRAPER FOR SEED PRESSURE WHEEL V2
9	1	102012111	R00	BUSING FOR SEED PRESSURE WHEEL
10	2	JFM-1012-05	R00	JFM-1012-05
11	1	102011033	R00	ELECTRONIC BOX
12	1	102012174	R00	SOWING ARM V2.1
13	1	102012144	R00	CENTER CONSOLE FOR ROLLER DISC SLIM
14	1	439084		DIN 439 COUNTERNUT M8 4MM A2
15	1	MFM-0812-08		SLEEVE BEARING WITH FLANGE, D1 8 MM, D2 12MM, H 8MM
16	1	912081604		DIN 912 HEX HEAD M8X160MM A2
17	2	933080254		DIN 933 HEX HEAD M8X25MM A2
18	1	933080164		DIN 933 HEX HEAD M8X16MM A2
19	6	125A084		DIN 125A WASHER M8 A2
20	2	6923S054		DIN 6923S FLANGE NUT M5 A2
21	2	603060204		DIN 603 MUSHROOM HEAD M6x20 A2
22	1	912060064		DIN 912 HEX HEAD M6X6MM A2
23	4	603050164		DIN 603 MUSHROOM HEAD M5x16 A2
24	4	SS-608-2RS		BALL BEARING SS 608 A2
25	6	6923S064		DIN 6923S Flange Nut M6 A2
26	2	934V054		DIN 934 NUT M5 A2
27	1	AH305		SEED PRESSURE WHEEL, D170MM
28	2	9021054		WASHER M5 DIN 9021 5,3X15X1,2 A2
29	1	933080124		DIN 933 HEX HEAD M8X12MM A2
30	4	933030064		DIN 933 HEX HEAD M3X6MM A2
31	1	073799200080030-AP		PASBOLT 7379 A2 M8X30-Ø10
32	2	6923084		DIN 6923 FLANGE NUT M8 A2
33	2	603080204		DIN 603 MUSHROOM HEAD M8X20MM A2
34	1	090219200084000		WASHER M8 8,4X24X2
35	6	933050104		DIN 933 HEX HEAD M5X10MM A
36	2	6923S084		DIN 6923S FLANGE NUT M8 A2
37	4	603060164		DIN 603 MUSHROOM HEAD M6X16MM A2
38	1	933080354		DIN 933 HEX HEAD M8X35MM A2

Copyright © 2018 Distribution and duplication of this document as well as use and communication of this content is not permitted, except if expressly authorized by FarmDroid ApS. Offenders will be liable for damages. All rights, including rights created by patent grant or registration of a utility model or design, are reserved to FarmDroid ApS.

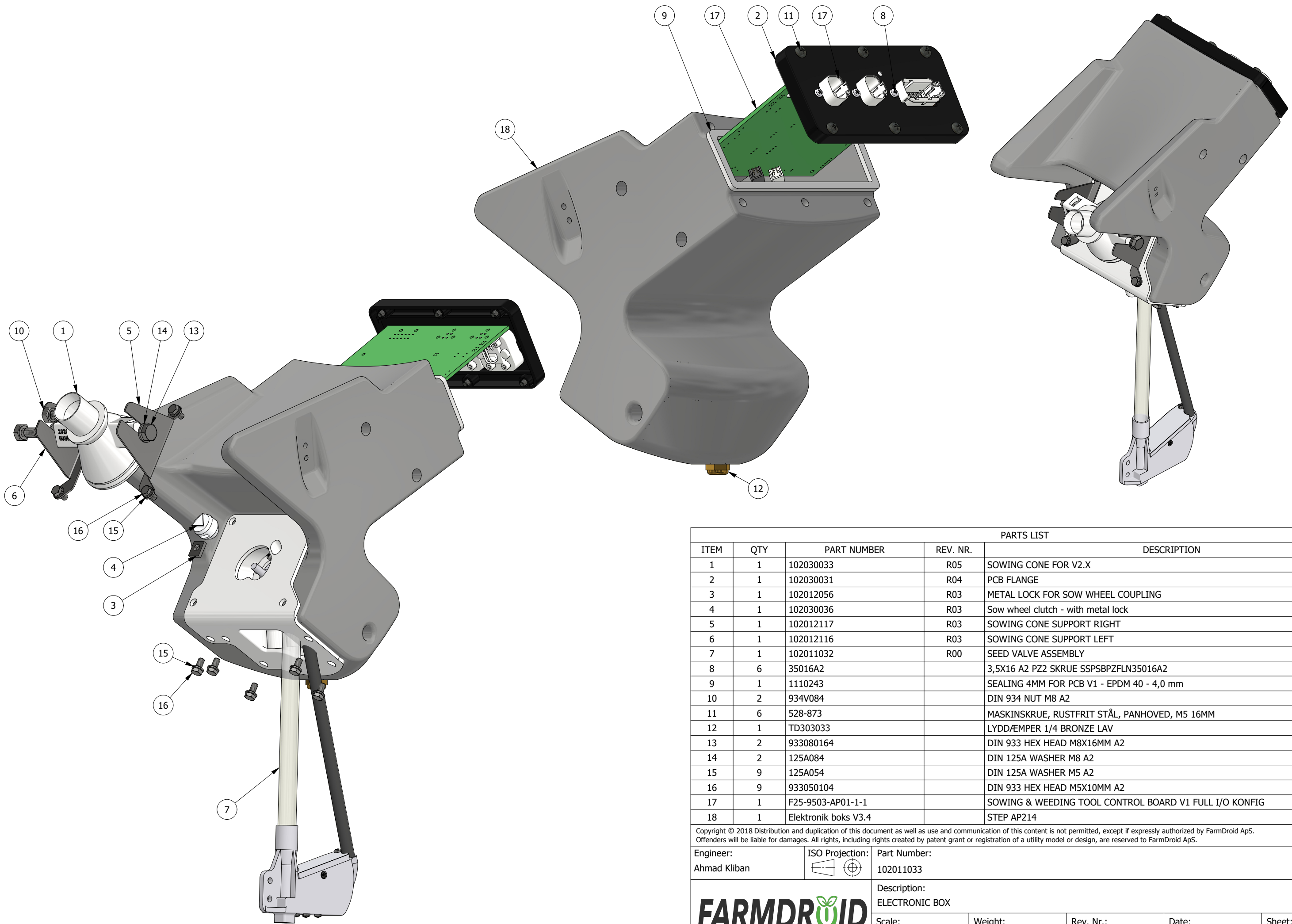
Engineer: Ahmad Kliban
 ISO Projection: 
 Part Number: 102011038

FARMDROID
 Description: SOWING ARM ASSEMBLY

Scale: 1 : 4,5 [A3] Weight: N/A Rev. Nr.: R00 Date: 07-02-2022 Sheet: 1 / 3



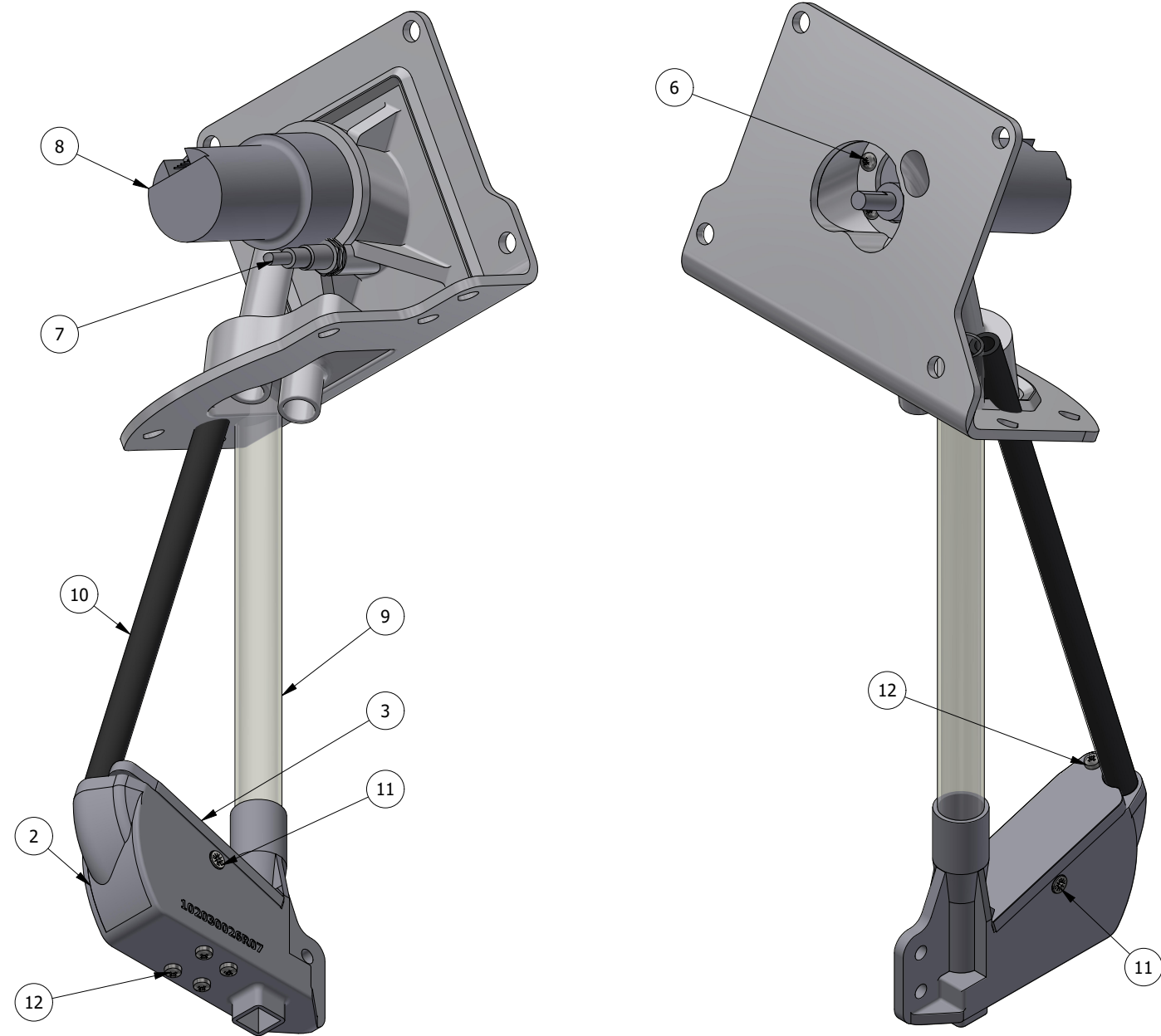
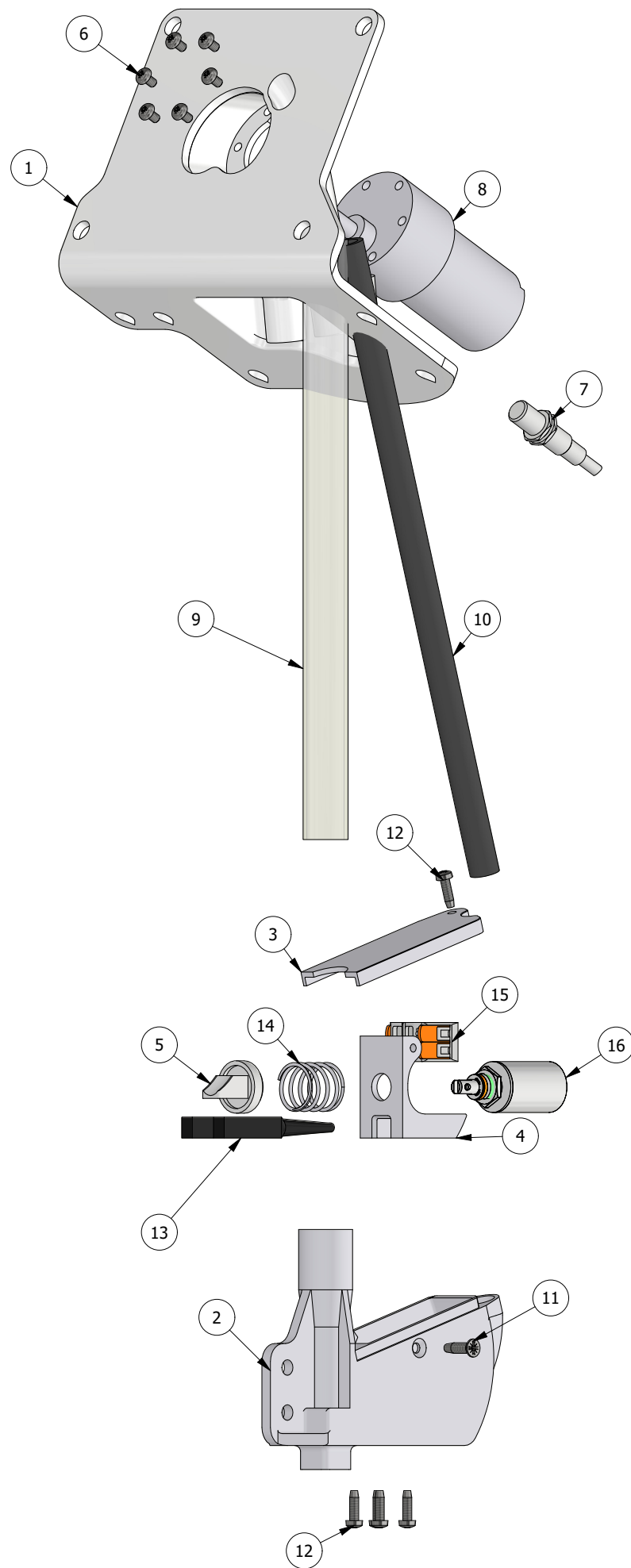
Copyright © 2018 Distribution and duplication of this document as well as use and communication of this content is not permitted, except if expressly authorized by FarmDroid ApS. Offenders will be liable for damages. All rights, including rights created by patent grant or registration of a utility model or design, are reserved to FarmDroid ApS.				
Engineer: Ahmad Kliban	ISO Projection: 	Part Number: 102011038		
FARMDROID		Description: SOWING ARM ASSEMBLY	Rev. Nr.: R00	Date: 07-02-2022
Scale: 1 : 1,5 [A3]	Weight: N/A		Sheet: 3 / 3	



PARTS LIST				
ITEM	QTY	PART NUMBER	REV. NR.	DESCRIPTION
1	1	102030033	R05	SOWING CONE FOR V2.X
2	1	102030031	R04	PCB FLANGE
3	1	102012056	R03	METAL LOCK FOR SOW WHEEL COUPLING
4	1	102030036	R03	Sow wheel clutch - with metal lock
5	1	102012117	R03	SOWING CONE SUPPORT RIGHT
6	1	102012116	R03	SOWING CONE SUPPORT LEFT
7	1	102011032	R00	SEED VALVE ASSEMBLY
8	6	35016A2		3,5X16 A2 PZ2 SKRUE SSPSBPZFLN35016A2
9	1	1110243		SEALING 4MM FOR PCB V1 - EPDM 40 - 4,0 mm
10	2	934V084		DIN 934 NUT M8 A2
11	6	528-873		MASKINSKRUE, RUSTFRIT STÅL, PANHOVED, M5 16MM
12	1	TD303033		LYDDÆMPER 1/4 BRONZE LAV
13	2	933080164		DIN 933 HEX HEAD M8X16MM A2
14	2	125A084		DIN 125A WASHER M8 A2
15	9	125A054		DIN 125A WASHER M5 A2
16	9	933050104		DIN 933 HEX HEAD M5X10MM A2
17	1	F25-9503-AP01-1-1		SOWING & WEEDING TOOL CONTROL BOARD V1 FULL I/O KONFIG
18	1	Elektronik boks V3.4		STEP AP214

Copyright © 2018 Distribution and duplication of this document as well as use and communication of this content is not permitted, except if expressly authorized by FarmDroid ApS. Offenders will be liable for damages. All rights, including rights created by patent grant or registration of a utility model or design, are reserved to FarmDroid ApS.

Engineer: Ahmad Kliban	ISO Projection: 	Part Number: 102011033			
		Description: ELECTRONIC BOX	Scale: 1 : 3,5 [A3]	Weight: N/A	Rev. Nr.: R00
		Date: 09-02-2022	Sheet: 1 / 1		



PARTS LIST					
ITEM	QTY	PART NUMBER	REV. NR.	DESCRIPTION	
1	1	102030022	R07	BACK PLATE	
2	1	102030026	R07	SEED VALVE ENCLOSURE	
3	1	102030027	R05	LID FOR SEED VALVE ENCLOSURE	
4	1	102030028	R03	SOLENOID FIXTURE	
5	1	102030040	R00	SPADE FOR SEED VALVE	
6	6	190-428		RS PRO MACHINE SCREW STAINLESS- M3 x 5	
7	1	XS108B3PAL2		PROXIMITY SWITCH, 8MM, 2MM DISTANCE, PNP, W. 2M CABLE	
8	1	SPG30E-200K		DC GEARED MOTOR, 7KGFCM, 22RPM, 6,35MM SHAFT	
9	1	90800112022038		HOSE PVC 1/2" L200mm	
10	1	TU1065B-20		TUBE POLYURETHANE Ø10-6.5 BLACK	
11	2	180-639		SELF TAPPING SCREW 6X13 MM	
12	5	521-579		RS PRO BLANK RUSTFRIT STÅL SELVSKÆRENDE SKRUER 6 X 9.5MM LANG	
13	1	FUT-FORK 1032-20		THROUGH BEAM SENSOR, 10MM PITCH, 32MM HEAD	
14	1	SOLENOIDSPRINGV1		SPRING FOR SOLENOID, 0,08N/0,9N, L0 15,45MM, D15,5MM	
15	2	221-412		FJEDERSAMLEMUFFE, 2 LEDER, 4MM2	
16	1	M17033L		SOLENOID, PULL, 33 WINDING, D17MMx27MM	

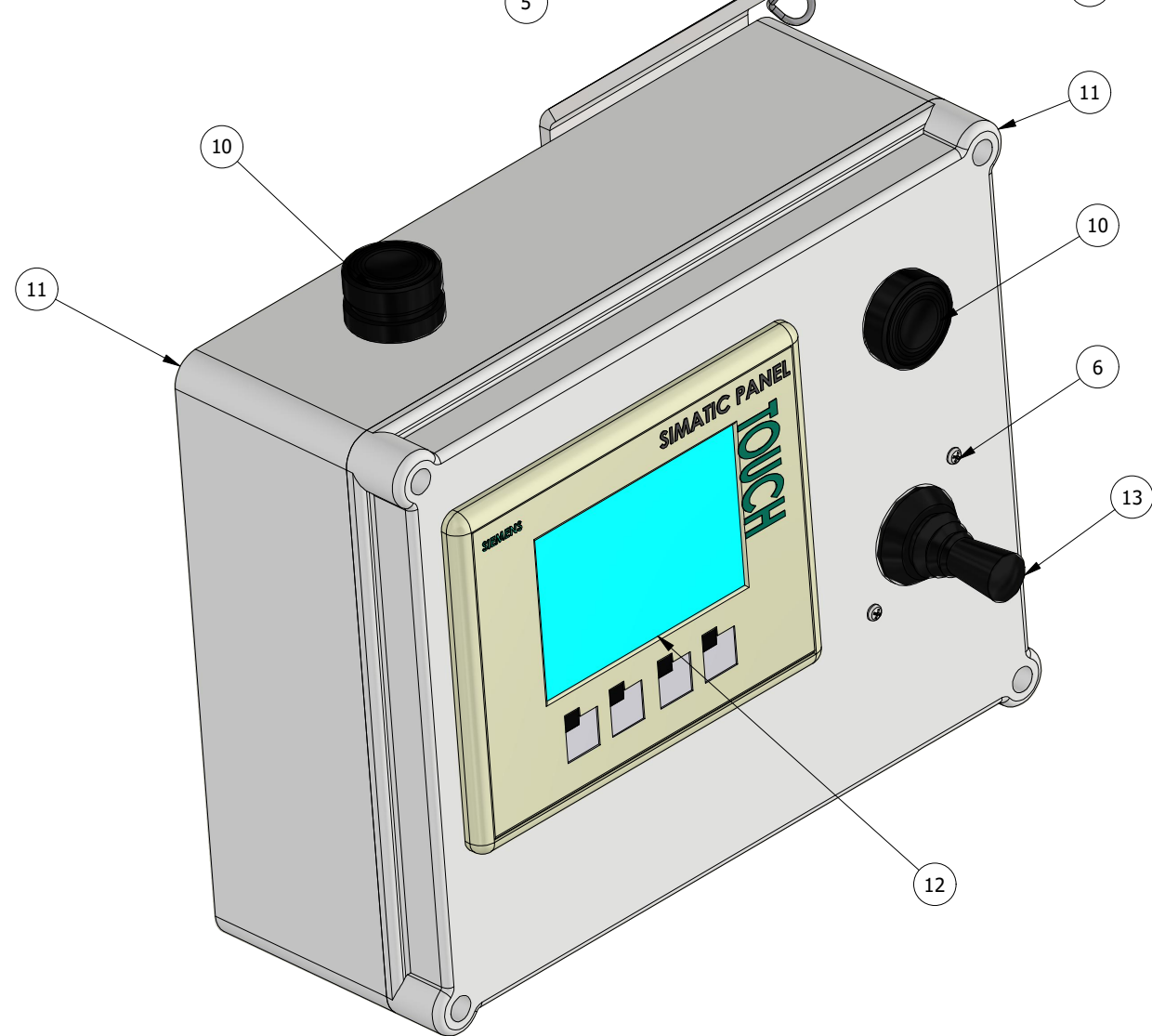
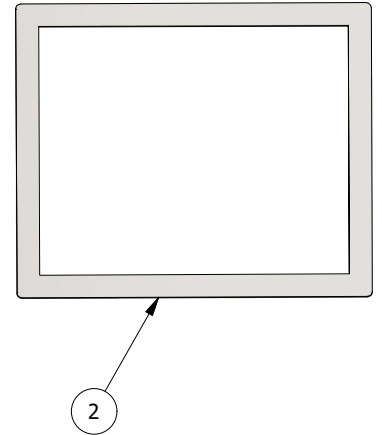
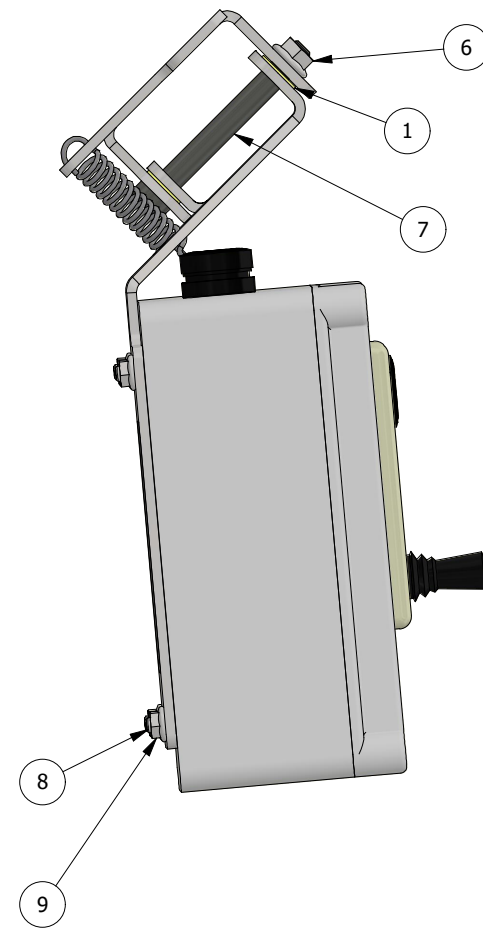
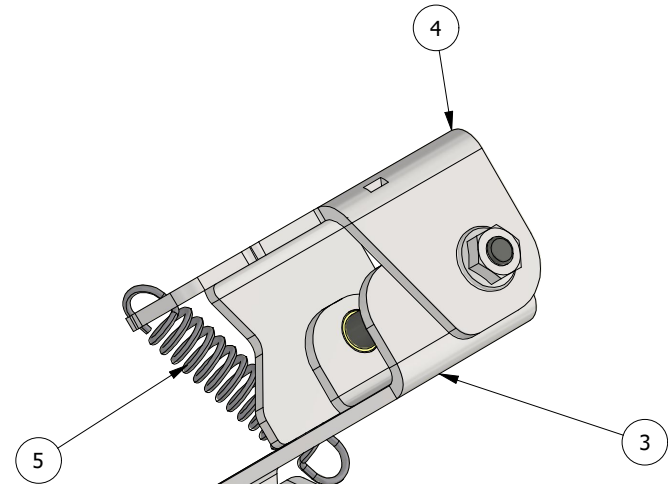
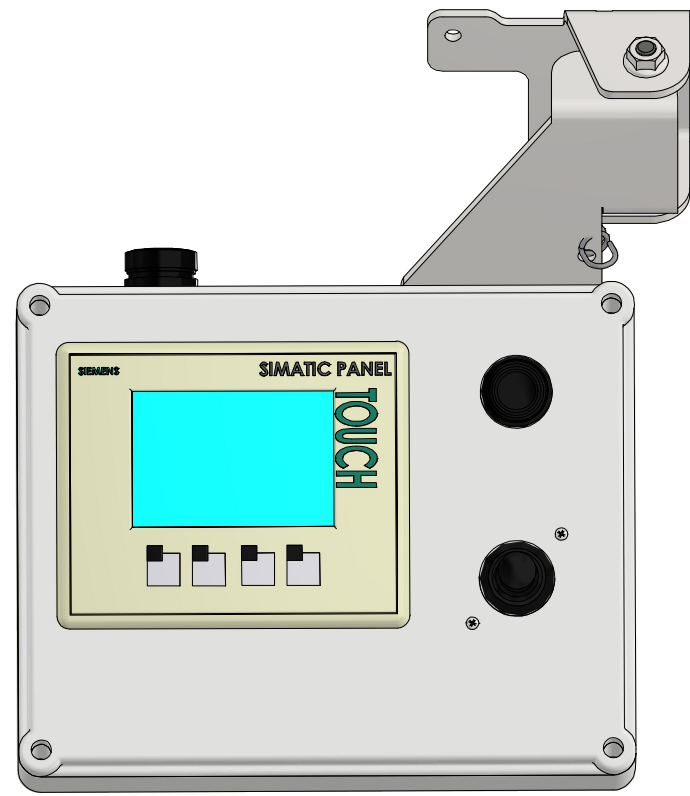
Copyright © 2018 Distribution and duplication of this document as well as use and communication of this content is not permitted, except if expressly authorized by FarmDroid ApS. Offenders will be liable for damages. All rights, including rights created by patent grant or registration of a utility model or design, are reserved to FarmDroid ApS.

Engineer: Ahmad Kliban
 ISO Projection:
 Part Number: 102011032

Description: SEED VALVE ASSEMBLY

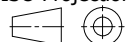


Scale: 1 : 2 [A3] Weight: N/A Rev. Nr.: R00 Date: 09-02-2022 Sheet: 1 / 1



PARTS LIST				
ITEM	QTY	PART NUMBER	REV. NR.	DESCRIPTION
1	2	JFM-1012-05	R00	SLEEVE BEARING WITH FLANGE, D1 10MM, D2 12MM, H 5MM
2	1	101012261	R00	KTP400 MONITOR BRACKET
3	1	101012228	R00	BRACKET FOR HMI BOX
4	1	101012227	R00	HINGE BRACKET FOR HMI BOX
5	1	42340		SPRING, D2x14xL050MM, STAINLESS
6	1	6923084		DIN 6923 FLANGE NUT M8 A2
7	1	073799200080070-AP		HEXAGON SOCKET HEAD SHOULDER SCREW 7379 - M8X70-Ø10
8	4	933060164		DIN 933 HEX HEAD M6X16MM A2
9	4	6923S064		DIN 6923S FLANGE NUT M6 A2
10	2	XB5AA21		PUSH BUTTON, BLACK, 1NO
11	1	8017521111346-1		ELECTRICAL BOX 240X190X90MM GREY, SCREEN HOLE
12	1	6AV2123-2DB03-0AX0		SIMATIC HMI, KTP400 BASIC, KEY/TOUCH OPERATION, 4" TFT
13	1	825-2596		JOYSTICK-SWITCH 2-AXIS, IP65, 5 A

Copyright © 2018 Distribution and duplication of this document as well as use and communication of this content is not permitted, except if expressly authorized by FarmDroid ApS. Offenders will be liable for damages. All rights, including rights created by patent grant or registration of a utility model or design, are reserved to FarmDroid ApS.

Engineer: Ahmad Kliban
 ISO Projection:  Part Number: 101011035

Description:



Scale: 1 : 3 [A3]

Weight: N/A

Rev. Nr.: R00

Date: 02-02-2022

Sheet: 1 / 1